

XHBN.HW-D-0576 - Joint Systems

Design/System/Construction/Assembly Usage Disclaimer

- Authorities Having Jurisdiction should be consulted in all cases as to the particular requirements covering the installation and use of UL Certified products, equipment, system, devices, and materials.
- Authorities Having Jurisdiction should be consulted before construction.
- Fire resistance assemblies and products are developed by the design submitter and have been investigated by UL for compliance with applicable requirements. The published information cannot always address every construction nuance encountered in the field.
- When field issues arise, it is recommended the first contact for assistance be the technical service staff provided by the product manufacturer noted for the design. Users of fire resistance assemblies are advised to consult the general Guide Information for each product category and each group of assemblies. The Guide Information includes specifics concerning alternate materials and alternate methods of construction.
- Only products which bear UL's Mark are considered Certified.

XHBN - Joint Systems

XHBN7 - Joint Systems Certified for Canada

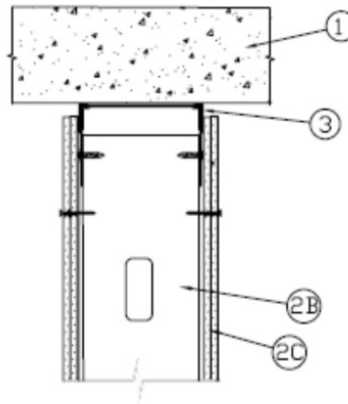
[See General Information for Joint Systems](#)

[See General Information for Joint Systems Certified for Canada](#)

System No. HW-D-0576

December 04, 2012

ANSI/UL2079	CAN/ULC S115
Assembly Ratings — 1 and 2 Hr (See Item 2)	F Ratings — 1 and 2 Hr (See Item 2)
Nominal Joint Width — 7/8 or 1 in. (See Item 3)	FT Ratings — 1 and 2 Hr (See Item 2)
Class II or III Movement Capabilities — 100% Compression or Extension	FH Ratings — 1 and 2 Hr (See Item 2)
L Rating At Ambient — Less Than 1 CFM/in ft	FTH Ratings — 1 and 2 Hr (See Item 2)
L Rating At 400 F — Less Than 1 CFM/in ft	Nominal Joint Width — 7/8 or 1 in. (See Item 3)
	Class II or III Movement Capabilities — 100% Compression or Extension
	L Rating At Ambient — Less Than 1 CFM/in ft
	L Rating At 400 F — Less Than 1 CFM/in ft



1. **Floor Assembly** — Min 4 1/2 in. (114 mm) thick steel reinforced lightweight or normal weight (100-150 pcf or 1600-2400 kg/m³) structural concrete. Floor may also be constructed of any min 6 in. thick UL Classified hollow-core **Precast Concrete Units***. See **Precast Concrete Units (CFTV)** category in the Fire Resistance Directory for names manufacturers.

The hourly fire rating of the floor assembly shall be equal or greater than the hourly fire rating of the wall assembly.

2. **Wall Assembly** — The 1 or 2 hr fire rated gypsum board/stud wall assembly shall be constructed of the materials and in the manner described in the individual U400 or V400 Series Wall and Partition Design in the UL Fire Resistance Directory and shall include the following construction features:

A. **Steel Floor and Ceiling Runners** — Floor runners of wall assembly shall consist of min No. 25 ga galv steel channels sized to accommodate steel studs (Item 2B). Floor runner to be provided with min 1-1/4 in. (32mm) legs. Ceiling runners are provided with a fill, void or cavity material and are described in Item 3A.

A1. **Light Gauge Framing* — Slotted Ceiling Track** — (Not Shown) - As an alternate to the Item 2A, a ceiling track consisting of galv steel channel with slotted flanges may be used when Item 3B fill material is utilized. Slotted ceiling track sized to accommodate steel studs (Item 2B). Attached to steel deck with steel fasteners or welds spaced max 24 in. (610 mm) OC.

BRADY CONSTRUCTION INNOVATIONS INC, DBA SLIPTRACK SYSTEMS — SLP-TRK

CALIFORNIA EXPANDED METAL PRODUCTS CO — CST

B. **Studs** — Steel studs to be min 2-1/2 in. (64 mm) wide. Studs cut 1-1/4 to 1-1/2 in. (32 to 38 mm) less in length than assembly height with bottom nesting in and secured to floor runner. Steel studs nested in non-slotted ceiling runner without attachment.

B1. **Framing Members - Steel Studs*** — In lieu of Item B - Proprietary channel shaped studs, 3-5/8 in. wide spaced a max of 24 in. OC. Studs to be cut 1-1/4 to 1-1/2 in. (32 to 38 mm) less than the assembly height with bottom nesting in and secured to floor runner. For direct attachment of gypsum board only. Steel studs nested in non-slotted ceiling runner without attachment.

CALIFORNIA EXPANDED METAL PRODUCTS CO — ViperStud™

MARINO/WARE, DIV OF WARE INDUSTRIES INC — ViperStud™

C. **Gypsum Board*** — Gypsum board sheets installed to a min total 5/8 in. (16 mm) or 1-1/4 in. (32 mm) thickness on each side of wall for 1 and 2 hr fire rated assemblies, respectively. Wall to be constructed as specified in the individual U400 or V400 Series Design in the UL Fire Resistance Directory except that a max 1 in. (25 mm) gap shall be maintained between the top of the gypsum board and the bottom of the floor assembly. The screws attaching the gypsum board to the studs along the top of the wall shall be located 4 to 5 in. (102 to 127 mm) down from deck at time of installation. No gypsum board attachment screws shall be driven into the ceiling runner.

The hourly ratings of the assembly are equal to the hourly fire rating of the wall assembly.

3. **Joint System** — Max separation between bottom of floor and top of gypsum board (at time of installation) is 7/8 in. (22 mm) or 1 in. (25 mm). The joint system is designed to accommodate a max 100 percent compression or extension from its installed width. When 3B is used, maximum separation between bottom of floor and top edge of gypsum board (at time of installation) is 7/8 in. (22 mm).
- A. **Fill, Void or Cavity Material*** — Min 20 ga steel channel track, 3-1/4 in. (83 mm) deep, having an intumescent strip affixed to the top of both flanges and sized to accommodate steel studs. Gypsum board (Item 2C) to overlap a min of 1 in. (25 mm) over the intumescent strip. Track attached to concrete floor with steel fasteners spaced max 24 in. (610 mm) OC.
- CALIFORNIA EXPANDED METAL PRODUCTS CO** — FAS Track DL2

B. **Fill, Void or Cavity Material*** — Min 25 ga composite steel angle with one 5/8 in. (16 mm) leg and one 2-1/2 in (64 mm) leg with a 5/8 in. (16 mm) strip of intumescent strip affixed along the inside 2-1/2 in (64 mm) leg. Steel angle is friction fit between the top web of the ceiling runner and the concrete deck.

CALIFORNIA EXPANDED METAL PRODUCTS CO — DDA (Deflection Drift Angle)

* Indicates such products shall bear the UL or cUL Certification Mark for jurisdictions employing the UL or cUL Certification (such as Canada), respectively.

The appearance of a company's name or product in this database does not in itself assure that products so identified have been manufactured under UL's Follow-Up Service. Only those products bearing the UL Mark should be considered to be Certified and covered under UL's Follow-Up Service. Always look for the Mark on the product.

UL permits the reproduction of the material contained in the Online Certification Directory subject to the following conditions: 1. The Guide Information, Assemblies, Constructions, Designs, Systems, and/or Certifications (files) must be presented in their entirety and in a non-misleading manner, without any manipulation of the data (or drawings). 2. The statement "Reprinted from the Online Certifications Directory with permission from UL" must appear adjacent to the extracted material. In addition, the reprinted material must include a copyright notice in the following format: "© 2022 UL LLC"