

XHBN.HW-D-0249 - Joint Systems

Design/System/Construction/Assembly Usage Disclaimer

- Authorities Having Jurisdiction should be consulted in all cases as to the particular requirements covering the installation and use of UL Certified products, equipment, system, devices, and materials.
- Authorities Having Jurisdiction should be consulted before construction.
- Fire resistance assemblies and products are developed by the design submitter and have been investigated by UL for compliance with applicable requirements. The published information cannot always address every construction nuance encountered in the field.
- When field issues arise, it is recommended the first contact for assistance be the technical service staff provided by the product manufacturer noted for the design. Users of fire resistance assemblies are advised to consult the general Guide Information for each product category and each group of assemblies. The Guide Information includes specifics concerning alternate materials and alternate methods of construction.
- Only products which bear UL's Mark are considered Certified.

Joint Systems

XHBN - Joint Systems

[See General Information for Joint Systems](#)

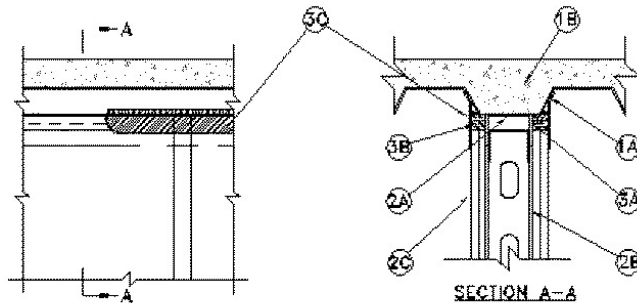
System No. HW-D-0249

June 27, 2011

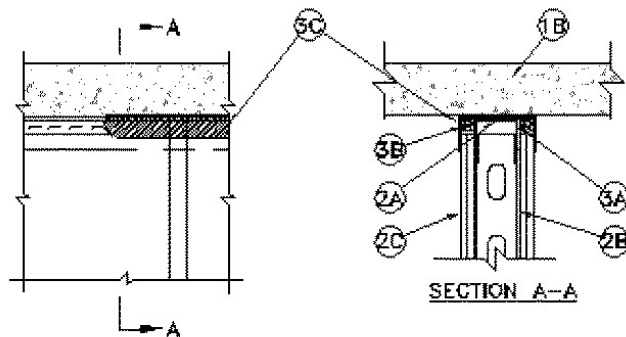
Assembly Rating — 2 Hr

Nominal Joint Width - 1 In.

Class II Movement Capabilities - 18.75% Compression or Extension



CONFIGURATION 'A'



CONFIGURATION 'B'

1. Floor Assembly — The fire-rated fluted steel deck/concrete floor assembly shall be constructed of the materials and in the manner described in the individual D900 Series Floor-Ceiling Design in the UL Fire Resistance Directory and shall include the following construction features:

A. **Steel Floor And Form Units*** — Max 3 in. deep galv steel fluted floor units.

B. **Concrete** — Min 2-1/2 in. thick reinforced concrete, as measured from the top plane of the floor units.

1A. Roof Assembly - (Not Shown) — As an alternate to the floor assembly, a fire-rated fluted steel deck roof assembly may be used. The roof assembly shall be constructed of the materials and in the manner described in the individual P900 Series Roof-Ceiling Design in the UL Fire Resistance Directory. The hourly rating of the roof assembly shall be equal to or greater than the hourly rating of the wall assembly. The roof assembly shall include the following construction features:

A. **Steel Roof Deck** — Max 3 in. deep galv steel fluted roof deck.

B. **Roof Insulation** — Min 2-1/4 in. thick poured insulating concrete, as measured from the top plane of the roof deck.

1B. Floor Assembly — As an alternate to Item 1, minimum 2-1/2 in. thick reinforced lightweight or normal weight (100-150 pcf) structural concrete.

2. Wall Assembly — The 2 hr fire-rated gypsum board/steel stud wall assembly shall be constructed of the materials and in the manner described in the individual U400-Series Wall or Partition Design in the UL Fire Resistance Directory and shall include the following construction features:

A. **Steel Floor And Ceiling Runners** — Floor and ceiling runners of wall assembly shall consist of galv steel channels sized to accommodate steel studs (Item 2B). Ceiling runner to be provided with 2 in. flanges. Ceiling runner installed within the U-shaped deflection channel (Item 3A) with a 1 in. gap maintained between the top of ceiling runner and top of deflection channel. When deflection channel is not used, ceiling runner centered on valleys of fluted steel floor units (Item 1A) or roof deck and secured to valleys with steel fasteners spaced max 24 in. OC. For concrete floors (Item 1B), ceiling runner secured to underside of floor with concrete fasteners spaced max 24 in. OC.

A1. **Light Gauge Framing* - Slotted Ceiling Runner** — Slotted ceiling runner may be used as an alternate to the ceiling runner in Item 2A. Slotted ceiling runner to consist of galv steel channel with slotted flanges sized to accommodate steel studs (Item 2B). Slotted ceiling runner centered on valleys of fluted steel floor units or roof deck and secured with steel fasteners spaced max 24 in. OC. For concrete floors (Item 1B), slotted ceiling runner secured to underside of floor with concrete fasteners spaced max 24 in. OC. When slotted ceiling runner is used, deflection channel (Item 3A) shall not be used.

CALIFORNIA EXPANDED METAL PRODUCTS CO — CST

BRADY CONSTRUCTION INNOVATIONS INC, DBA SLIPTRACK SYSTEMS — SLP-TRK

MARINO/WARE, DIV OF WARE INDUSTRIES INC — Type SLT

B. **Studs** — Steel studs to be min 3-5/8 in. wide. Studs cut 1/2 to 3/4 in. less in than assembly height with bottom nesting in and resting on floor runner and with top nesting in ceiling runner without attachment. When slotted ceiling runner (Item 2A1) is used, steel studs secured to slotted ceiling runner with No. 8 by 1/2 in. long wafer head steel screws at midheight of slot on each side of wall. Stud spacing not to exceed 24 in. OC.

C. **Gypsum Board*** — Gypsum board installed to a min total thickness of 1-1/4 in. on each side of wall. Wall to be constructed as specified in the individual Wall and Partition Design in the UL Fire Resistance Directory, except that a nom 1 in. gap shall be maintained between the top of the gypsum board and the bottom of the steel floor units or roof deck or concrete floor. The top row of screws shall be installed into the studs 3 to 3-1/2 in. below the lower surface of the floor.

3. Joint System Max separation between bottom of floor and top of wall at time of installation of joint system is 1 in. The joint system is designed to accommodate a max 18.75 percent compression or extension from its installed width. The joint system consists of an optional deflection channel, a forming material and a fill material, as follows:

Joint Configuration A

A. **Deflection Channel** — (Optional) A nom 3-11/16 in. wide by 3 in. deep min No. 22 gauge steel U-shaped channel. Deflection channel centered on valleys of steel floor units (Item 1A) and secured with steel fasteners or by welds spaced max 12 in. OC. The ceiling runner (Item 2A) is installed within the deflection channel to maintain a 1 in. gap between the top of the ceiling runner and the top of the deflection channel. The ceiling runner is not fastened to the deflection channel.

B. **Forming Material*** — Nom 1-1/4 in. wide of min 4 pcf mineral wool batt insulation, cut into strips and compressed 50 percent in thickness and firmly packed into the gap between the top of the gypsum board and bottom of the steel floor units or roof deck, flush with both surfaces of the wall.
A/D Fire Protection Systems Inc — A/D FireBarrier Mineral Wool

C. **Fill, Void or Cavity Material*** — Min 1/8 in. wet thickness of fill material spray or brush applied on each side of the wall to completely cover mineral wool forming material and to overlap a min of 1/2 in. onto gypsum board and steel floor units or roof deck on both sides of wall.
A/D Fire Protection Systems Inc — A/D FireBarrier Seal N/S

Joint Configuration B

A. **Deflection Channel** — (Optional) A nom 3-11/16 in. wide by 3 in. deep min No. 22 gauge steel U-shaped channel. Deflection channel secured to underside of concrete floor (Item 1B) with concrete fasteners spaced max 12 in. OC. The ceiling runner (Item 2A) is installed within the deflection channel to maintain a 1 in. gap between the top of the ceiling runner and the top of the deflection channel. The ceiling runner is not fastened to the deflection channel.

B. **Forming Material*** — Nom 1-1/4 in. wide of min 4 pcf mineral wool batt insulation, cut into strips and compressed 50 percent in thickness and firmly packed into the gap between the top of the gypsum board and underside of concrete floor, flush with both surfaces of the wall.
A/D Fire Protection Systems Inc — A/D FIREBARRIER Mineral Wool

C. **Fill, Void or Cavity Material*** — Min 1/8 in. wet thickness of fill material spray or brush applied on each side of the wall to completely cover mineral wool forming material and to overlap a min of 1/2 in. onto gypsum board and concrete floor on both sides of wall.
A/D Fire Protection Systems Inc — A/D FIREBARRIER Seal N/S

*** Indicates such products shall bear the UL or cUL Certification Mark for jurisdictions employing the UL or cUL Certification (such as Canada), respectively.**

Last Updated on 2011-06-27
Last Updated on 2021-08-18

The appearance of a company's name or product in this database does not in itself assure that products so identified have been manufactured under UL's Follow-Up Service. Only those products bearing the UL Mark should be considered to be Certified and covered under UL's Follow-Up Service. Always look for the Mark on the product.

UL permits the reproduction of the material contained in the Online Certification Directory subject to the following conditions: 1. The Guide Information, Assemblies, Constructions, Designs, Systems, and/or Certifications (files) must be presented in their entirety and in a non-misleading manner, without any manipulation of the data (or drawings). 2. The statement "Reprinted from the Online Certifications Directory with permission from UL" must appear adjacent to the extracted material. In addition, the reprinted material must include a copyright notice in the following format: "© 2022 UL LLC"