

## XHBN.HW-D-0076 - Joint Systems

Design/System/Construction/Assembly Usage Disclaimer

- Authorities Having Jurisdiction should be consulted in all cases as to the particular requirements covering the installation and use of UL Certified products, equipment, system, devices, and materials.
- Authorities Having Jurisdiction should be consulted before construction.
- Fire resistance assemblies and products are developed by the design submitter and have been investigated by UL for compliance with applicable requirements. The published information cannot always address every construction nuance encountered in the field.
- When field issues arise, it is recommended the first contact for assistance be the technical service staff provided by the product manufacturer noted for the design. Users of fire resistance assemblies are advised to consult the general Guide Information for each product category and each group of assemblies. The Guide Information includes specifics concerning alternate materials and alternate methods of construction.
- Only products which bear UL's Mark are considered Certified.

## XHBN - Joint Systems

### XHBN7 - Joint Systems Certified for Canada

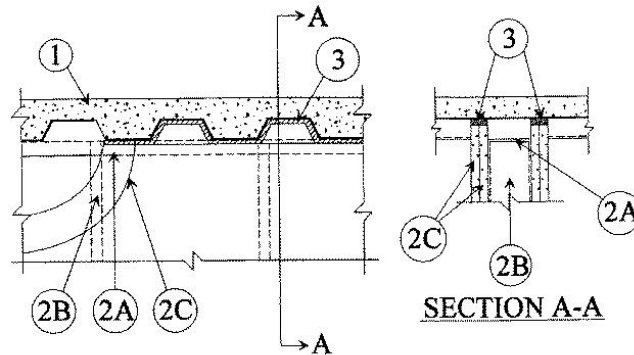
[See General Information for Joint Systems](#)

[See General Information for Joint Systems Certified for Canada](#)

#### System No. HW-D-0076

September 01, 2016

ANSI/UL2079	CAN/ULC 515
Assembly Ratings — 1 and 2 Hr (See Items 2 and 3)	F Ratings — 1 and 2 Hr (See Items 2 and 3)
Nominal Joint Width - 3/4 In.	FT Ratings — 1 and 2 Hr (See Items 2 and 3)
Class II Movement Capabilities — 17% Compression or Extension	FH Ratings — 1 and 2 Hr (See Items 2 and 3)
	FTH Ratings — 1 and 2 Hr (See Items 2 and 3)
	Nominal Joint Width - 3/4 In.
	Class II Movement Capabilities — 17% Compression or Extension



**1. Floor Assembly** — The fire-rated fluted steel floor unit/concrete floor assembly shall be constructed of the materials and in the manner described in the individual D700 or D900 Series Floor-Ceiling Design in the Fire Resistance Directory and shall include the following construction features:

- A. Steel Floor and Form Units\*** — Max 3 in. (76 mm) deep galv steel fluted floor units.
- B. Concrete** — Min 2-1/2 in. (64 mm) thick reinforced concrete, as measured from the top plane of the floor units.
- C. Spray-Applied Fire Resistive Materials** — (Optional, Not Shown) — Prior to or after the installation of the ceiling runner and Fill, Void or Cavity Materials (Item 3), the steel floor units may be sprayed with a min 5/16 in. (8 mm) thickness to a max 11/16 in. (17 mm) of fire resistive material.  
**GCP APPLIED TECHNOLOGIES INC** — Type MK-6/HY

**1A. Roof Assembly** — (Not Shown) — As an alternate to the floor assembly, a fire rated fluted steel deck roof assembly may be used. The roof assembly shall be constructed of the materials and in the manner described in the individual P900 Series Roof-Ceiling Design in the UL Fire Resistance Directory. The hourly rating of the roof assembly shall be equal to or greater than the hourly rating of the wall assembly. The roof assembly shall include the following construction features:

- A. Steel Roof Deck** — Max 3 in. (76 mm) deep galv steel fluted roof deck.
- B. Roof Insulation** — Min 2-1/4 in. (57 mm) thick poured insulating concrete, as measured from the top plane of the floor units.

**1B. Roof Assembly** — As an alternate to Items 1 and 1A, a fire rated protected fluted steel deck roof assembly may be used. The roof assembly shall be constructed of the materials and in the manner described in the individual P700 Series Roof-Ceiling Design in the UL Fire Resistance Directory. The hourly rating of the roof assembly shall be equal to or greater than the hourly rating of the wall assembly. The roof assembly shall include the following construction features:

- A. Steel Roof Deck** — Max 3 in. (76 mm) deep galv steel fluted roof deck.
- B. Spray—Applied Fire Resistive Materials\*** — (Not Shown)—Prior to or after the installation of the steel ceiling runners, Forming Material and Fill, Void or Cavity Material (Items 2A, 3A, 3B), the roof assembly shall be sprayed with the type and thickness of fire resistive material indicated in the individual P700 Series design.

**2. Wall Assembly** — The 1 or 2 hr fire-rated gypsum board /steel stud wall assembly shall be constructed of the materials and in the manner specified in the individual U400 or V400 Series Wall and Partition Design in the UL Fire Resistance Directory and shall include the following construction features:

**A. Steel Floor and Ceiling Runners** — Steel Floor and Ceiling Runners — Floor and ceiling runners of wall assembly shall consist of min No. 25 gauge galv steel channels sized to accommodate steel studs (Item 2B). Flange height of ceiling runner shall be min 1/4 in. (6 mm) greater than max extended joint width. Ceiling runner installed perpendicular to direction of fluted steel deck and secured to valleys with steel masonry anchors, steel fasteners or welds spaced 24 in. (610mm) OC before or after optional spray-applied fire resistive material is used. The use of welds to secure the ceiling runner may only be used prior to the installation of the optional spray-applied material.

**A1. Light Gauge Framing\*-Slotted Ceiling Runner** — As an alternate to the ceiling runner in Item 2A, slotted ceiling runner to consist of galv steel channel with slotted flanges sized to accommodate steel studs (Item 2B). Slotted ceiling runner installed perpendicular to direction of fluted steel deck and secured to valleys with steel masonry anchors, steel fasteners or welds spaced 24 in. (610mm) OC before or after optional spray-applied fire resistive material is used. The use of welds to secure the ceiling runner may only be used prior to the installation of the optional spray-applied material.

**BRADY CONSTRUCTION INNOVATIONS INC, DBA SLIPTRACK SYSTEMS** — SLP-TRK

**CALIFORNIA EXPANDED METAL PRODUCTS CO** — CST

**CLARKDIETRICH BUILDING SYSTEMS** — Type SLT, SLT-H

**MARINO/WARE, DIV OF WARE INDUSTRIES INC** — Type SLT

**METAL-LITE INC** — The System

**RAM SALES L L C** — RAM Slotted Track

**SCAFCO STEEL STUD MANUFACTURING CO**

**TELLING INDUSTRIES L L C** — True-Action Deflection Track

**A2. Light Gauge Framing\*-Vertical Deflection Ceiling Runner** — As an alternate to the ceiling runners in Items 2A and 2A1, vertical deflection ceiling runner to consist of galv steel channel with slotted vertical deflection clips mechanically fastened within runner. Slotted clips, provided with step bushings, for permanent fastening of steel studs. Flanges sized to accommodate steel studs (Item 2B). Vertical deflection ceiling runner installed perpendicular to direction of fluted steel deck and secured to valleys with steel masonry anchors, steel

fasteners or welds spaced 24 in. (610mm) OC before or after optional spray-applied fire resistive material is used. The use of welds to secure the ceiling runner may only be used prior to the installation of the optional spray-applied material.  
**THE STEEL NETWORK INC** — VertiTrack VTD250, VTD362, VTD400, VTD600 and VTD800

A3. **Light Gauge Framing\* - Notched Ceiling Runner** — As an alternate to the ceiling runners in Items 2A through 2A3, notched ceiling runners to consist of C-shaped galv steel channel with notched return flanges sized to accommodate steel studs (Item 2B). Notched ceiling runner installed perpendicular to direction of fluted steel deck and secured to valleys with steel masonry anchors, steel fasteners or welds spaced 24 in. (610mm) OC before or after optional spray-applied fire resistive material is used. The use of welds to secure the ceiling runner may only be used prior to the installation of the optional spray-applied material.  
**OLMAR SUPPLY INC** — Type SCR

B. **Studs** — Steel studs to be min 2-1/2 in. (64 mm) wide. Studs cut 1/2 to 3/4 in. (13 to 19 mm) less in length than assembly height with bottom nesting in and resting on floor runner and with top nesting in ceiling runner without attachment. When slotted ceiling runner (Item 2A1) is used, steel studs secured to slotted ceiling runner with No. 8 by 1/2 in. (13 mm) long wafer head steel screws at midheight of slot on each side of wall. Stud spacing not to exceed 24 in. (610 mm) OC. When vertical deflection ceiling runner (Item 2A2) is used. Stud spacing not to exceed 24 in. (610 mm) OC. When vertical deflection ceiling runner (Item 2A2) is used, steel studs secured to slotted vertical deflection clips, through the bushings, with steel screws at midheight of each slot. Stud spacing not to exceed 24 in. (610 mm) OC.

C. **Gypsum Board\*** — Gypsum board installed to a min total thickness 5/8 or 1-1/4 in. (16 or 32 mm) on each side of wall for 1 or 2 hr fire rated walls, respectively. Wall to be constructed as specified in the individual U400 or V400 Series Design in the UL Fire Resistance Directory, except that the gypsum board is cut to fit the contour of the steel floor units with a max 3/4 in. (19 mm) gap. The screws attaching the gypsum board to the studs at the top of the first layer shall be located 4 in. (102 mm) from the steel floor unit valleys. The screws attaching the second layer to the steel studs shall be installed into the studs 3-1/2 in. (89 mm) below the valleys of the steel floor units. **The hourly fire rating of the joint system is dependent on the hourly ratings of the wall.**

3. **Fill, Void or Cavity Material\* — Sealant — Max separation between bottom of floor and top of wall is 3/4 in. (19 mm) The joint system is designed to accommodate a max 17 percent compression or extension from its installed width.** Min 1-1/4 in. (32 mm) thickness of fill material flush with the surface of the gypsum board for 2 hr fire rated systems or 5/8 in. (16 mm) thickness plus a 1/4 in. (6 mm) crown of fill material for 1 hr fire rated systems installed on each side of the wall between the top of the gypsum board and the bottom of the steel floor units.  
**HILTI CONSTRUCTION CHEMICALS, DIV OF HILTI INC** — CP601S Elastomeric Firestop Sealant or CFS-S SIL GG Sealant

**\* Indicates such products shall bear the UL or cUL Certification Mark for jurisdictions employing the UL or cUL Certification (such as Canada), respectively.**

[Last Updated](#) on 2016-09-01

---

The appearance of a company's name or product in this database does not in itself assure that products so identified have been manufactured under UL's Follow-Up Service. Only those products bearing the UL Mark should be considered to be Certified and covered under UL's Follow-Up Service. Always look for the Mark on the product.

UL permits the reproduction of the material contained in the Online Certification Directory subject to the following conditions: 1. The Guide Information, Assemblies, Constructions, Designs, Systems, and/or Certifications (files) must be presented in their entirety and in a non-misleading manner, without any manipulation of the data (or drawings). 2. The statement "Reprinted from the Online Certifications Directory with permission from UL" must appear adjacent to the extracted material. In addition, the reprinted material must include a copyright notice in the following format: "© 2022 UL LLC"