



# BXUV.U493 -

## Design/System/Construction/Assembly Usage Disclaimer

- Authorities Having Jurisdiction should be consulted in all cases as to the particular requirements covering the installation and use of UL Certified products, equipment, system, devices, and materials.
- Authorities Having Jurisdiction should be consulted before construction.
- Fire resistance assemblies and products are developed by the design submitter and have been investigated by UL for compliance with applicable requirements. The published information cannot always address every construction nuance encountered in the field.
- When field issues arise, it is recommended the first contact for assistance be the technical service staff provided by the product manufacturer noted for the design. Users of fire resistance assemblies are advised to consult the general Guide Information for each product category and each group of assemblies. The Guide Information includes specifics concerning alternate materials and alternate methods of construction.
- Only products which bear UL's Mark are considered Certified.

---

## BXUV - Fire Resistance Ratings - ANSI/UL 263 Certified for United States

## BXUV7 - Fire Resistance Ratings - CAN/ULC-S101 Certified for Canada

See General Information for Fire-resistance Ratings - ANSI/UL 263 Certified for United States  
Design Criteria and Allowable Variances

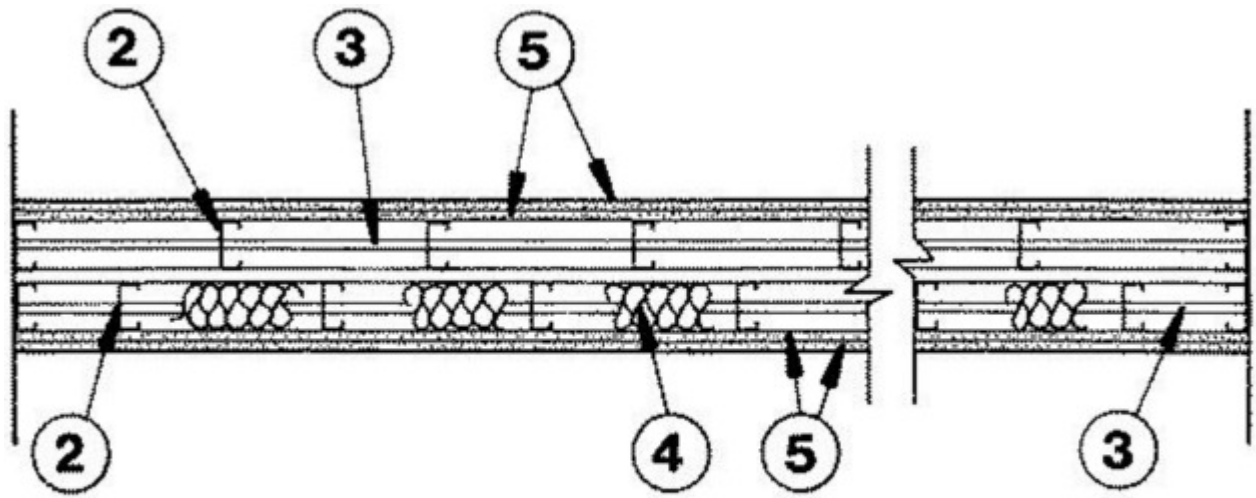
See General Information for Fire Resistance Ratings - CAN/ULC-S101 Certified for Canada  
Design Criteria and Allowable Variances

### **Design No. U493**

October 01, 2019

### **Nonbearing Wall Rating — 1 or 2 Hr. (See Items 5, 5A, 5B)**

**\* Indicates such products shall bear the UL or cUL Certification Mark for jurisdictions employing the UL or cUL Certification (such as Canada), respectively.**



## HORIZONTAL SECTION

**1. Floor and Ceiling Runners** — (For use with Item 5 and 5A) — Channel shaped, attached to floor and ceiling in two rows, a min 1 in. apart, with steel fasteners spaced 24 in. OC. Runners fabricated from min No. 25 MSG galv steel, 1-1/4 in. wide and 2-1/2 in. deep.

**1A. Floor and Ceiling Runners** — (As an alternate to Item 1, For use with Item 5B and 5C) — Channel shaped, attached to floor and ceiling in two rows, a min 1 in. apart. Runners fabricated from min No. 20 MSG galv steel, 1-3/16 in. wide and 2-9/16 in. deep.

**1B. Framing Members\* — Floor and Ceiling Runners** — (Not shown for use with Item 2B) — As an alternate to Item 1 - Channel shaped, min. 2-1/2 in. deep, attached to floor and ceiling with fasteners 24 in. OC. max.

**ALLSTEEL & GYPSUM PRODUCTS INC** — Type SUPREME D24/30EQD and Type SUPREME D20

**CONSOLIDATED FABRICATORS CORP, BUILDING PRODUCTS DIV** — Type SUPREME D24/30EQD and Type SUPREME D20

**QUAIL RUN BUILDING MATERIALS INC** — Type SUPREME D24/30EQD and Type SUPREME D20

**SCAFCO STEEL STUD MANUFACTURING CO** — Type SUPREME D24/30EQD and Type SUPREME D20

**STEEL CONSTRUCTION SYSTEMS INC** — Type SUPREME D24/30EQD and Type SUPREME D20

**UNITED METAL PRODUCTS INC** — Type SUPREME D24/30EQD and Type SUPREME D20

**1C. Framing Members\* — Floor and Ceiling Runners** — (Not Shown) — As an alternate to Item 1 for a 2 hour rating only — For use with Item 2C, channel shaped, min 2-1/2 in. deep, attached to floor and ceiling with fasteners 24 in. OC. max.

**CLARKDIETRICH BUILDING SYSTEMS** — CD ProTRAK

**DMFCWBS L L C** — ProTRAK

**MBA METAL FRAMING** — ProTRAK

**RAM SALES L L C** — Ram ProTRAK

**STEEL STRUCTURAL PRODUCTS L L C — Tri-S ProTRAK**

**1D. Framing Members\* — Floor and Ceiling Runners — (Not Shown) —** As an alternate to Item 1 - For use with Item 2D, channel shaped, min 2-1/2 in. deep, attached to floor and ceiling with fasteners 24 in. OC. max.

**MARINO/WARE, DIV OF WARE INDUSTRIES INC — Viper20™ Track**

**FUSION BUILDING PRODUCTS — Viper20™ Track**

**IMPERIAL MANUFACTURING GROUP INC — Viper20™ Track**

**1E. Framing Members\* — Floor and Ceiling Runners — (Not Shown) —** As an alternate to Item 1 for a 2 hour rating only - For use with Item 2E, channel shaped, min 2-1/2 in. deep, attached to floor and ceiling with fasteners 24 in. OC. max.

**MARINO/WARE, DIV OF WARE INDUSTRIES INC — Viper25™ Track**

**FUSION BUILDING PRODUCTS — Viper25™ Track**

**IMPERIAL MANUFACTURING GROUP INC — Viper25™ Track**

**1F. Framing Members\* — Floor and Ceiling Runners — Not Shown —** As an alternate to Item 1 for use with Item 2F, proprietary channel shaped, min. 3-1/2 in. wide, fabricated from min. 0.018 in. (min bare metal thickness) galvanized steel, attached to floor and ceiling with fasteners 24 in. OC max.

**STEEL INVESTMENT GROUP L L C — AlphaTRAK**

**1G. Framing Members\* — Floor and Ceiling Runners — (Not Shown) —** As an alternate to Item 1 for use with Item 2G and for a 2 hour rating only. Channel shaped, min. 2-1/2 in. deep, attached to floor and ceiling with fasteners 24 in. OC. max.

**ALLSTEEL & GYPSUM PRODUCTS INC — Type SUPREME D25**

**CONSOLIDATED FABRICATORS CORP, BUILDING PRODUCTS DIV — Type SUPREME D25**

**QUAIL RUN BUILDING MATERIALS INC — Type SUPREME D25**

**SCAFCO STEEL STUD MANUFACTURING CO — Type SUPREME D25**

**STEEL CONSTRUCTION SYSTEMS INC — Type SUPREME D25**

**UNITED METAL PRODUCTS INC — Type SUPREME D25**

**2. Steel Studs —** (For use with Item 5 and 5A) — Channel shaped, supplied with cutouts, friction -fitted into floor and ceiling runners and spaced a max 24 in. OC. Studs cut 1/2 in. less than assembly height and evenly staggered between the two rows of floor and ceiling runners. Studs fabricated from min No. 25 MSG galv steel, min 2-1/2 in. deep by 1-5/8 in. wide with 3/8 in. folded back return flange legs.

**2A. Steel Studs —** (As an alternate to Item 2, For use with Items 5B, 5C, 5E, and 5F) — Channel shaped, supplied with cutouts, friction -fitted into floor and ceiling runners and spaced a max 16 in. OC. Studs cut 1/2 in. less than assembly height and

staggered flush against the floor runners. Studs fabricated from min No. 20 MSG galv steel, min 2-1/2 in. deep x 1-5/8 in. wide x 3/8 in. folded back return flange legs.

**2B. Framing Members\* — Steel Studs** — As an alternate to Item 2 — Channel shaped studs, min. 2-1/2 in. deep, spaced a max of 24 in. OC. Studs to be cut 3/4 in. less than assembly height.

**ALLSTEEL & GYPSUM PRODUCTS INC** — Type SUPREME D24/30EQD and Type SUPREME D20

**CONSOLIDATED FABRICATORS CORP, BUILDING PRODUCTS DIV** — Type SUPREME D24/30EQD and Type SUPREME D20

**OLMAR SUPPLY INC** — PRIMESTUD

**QUAIL RUN BUILDING MATERIALS INC** — Type SUPREME D24/30EQD and Type SUPREME D20

**SCAFCO STEEL STUD MANUFACTURING CO** — Type SUPREME D24/30EQD and Type SUPREME D20

**STEEL CONSTRUCTION SYSTEMS INC** — Type SUPREME D24/30EQD and Type SUPREME D20

**UNITED METAL PRODUCTS INC** — Type SUPREME D24/30EQD and Type SUPREME D20

**2C. Framing Members\* — Steel Studs** — As an alternate to Item 2 for a 2 hour rating only — For use with Item 1C, channel shaped studs, min 2-1/2 in. deep, spaced a max of 24 in. OC. Studs to be cut 3/4 in. less than assembly height.

**CLARKDIETRICH BUILDING SYSTEMS** — CD ProSTUD

**DMFCWBS L L C** — ProSTUD

**MBA METAL FRAMING** — ProSTUD

**RAM SALES L L C** — Ram ProSTUD

**STEEL STRUCTURAL PRODUCTS L L C** — Tri-S ProSTUD

**2D. Framing Members\* — Steel Studs** — As an alternate to Item 2 — For use with Item 1D, channel shaped studs, min 2-1/2 in. deep, spaced a max of 24 in. OC. Studs to be cut 3/4 in. less than assembly height.

**MARINO/WARE, DIV OF WARE INDUSTRIES INC** — Viper20™

**FUSION BUILDING PRODUCTS** — Viper20™

**IMPERIAL MANUFACTURING GROUP INC** — Viper20™

**2E. Framing Members\* — Steel Studs** — As an alternate to Item 2 for a 2 hour rating only — For use with Item 1E, channel shaped studs, min 2-1/2 in. deep, spaced a max of 24 in. OC. Studs to be cut 3/4 in. less than assembly height.

**MARINO/WARE, DIV OF WARE INDUSTRIES INC** — Viper25™

**FUSION BUILDING PRODUCTS** — Viper25™

**IMPERIAL MANUFACTURING GROUP INC** — Viper25™

2F. **Framing Members\* — Steel Studs** — As an alternate to Item 2, for use with Item 1F, proprietary channel shaped studs, min. 3-1/2 in. wide, fabricated from min. 0.018 in. (min bare metal thickness) galvanized steel, spaced a max of 24 in. OC. Studs to be cut 3/4 in. less than assembly height.

**STEEL INVESTMENT GROUP L L C** — AlphaSTUD

2G. **Framing Members\* — Steel Studs** — As an alternate to Item 2 for use Item 1G and for a 2 hour rating only — Channel shaped studs, min 2-1/2 in. deep, spaced a max of 24 in. OC. Studs to be cut 3/4 in. less than assembly height.

**ALLSTEEL & GYPSUM PRODUCTS INC** — Type SUPREME D25

**CONSOLIDATED FABRICATORS CORP, BUILDING PRODUCTS DIV** — Type SUPREME D25

**QUAIL RUN BUILDING MATERIALS INC** — Type SUPREME D25

**SCAFCO STEEL STUD MANUFACTURING CO** — Type SUPREME D25

**STEEL CONSTRUCTION SYSTEMS INC** — Type SUPREME D25

**UNITED METAL PRODUCTS INC** — Type SUPREME D25

3. **Lateral Bracing** — The bracing shall be in accordance with the SSMA Technical Note Dated March 2000 Referencing Unsheathed Flange Bracing.

3A. **Lateral Bracing** — (Not Shown) — Right angle- shaped, supplied with notches spaced 12, 16, or 24 in. OC., friction-fitted to the cutouts in steel studs, supplied in 7/8 in. by 7/8 in. by 50 in. lengths. Lateral bracing bars fabricated from min. 20 MSG galvanized steel. The bracing shall be located a maximum of 5 ft on center in accordance with the manufacturers published literature.

**CLARKDIETRICH BUILDING SYSTEMS** — TradeReady Spazzer 9200 bar

4. **Batts and Blankets** — Optional — Glass fiber batts may be friction-fitted to completely fill the stud cavities on one or both rows of studs.

See **Batts and Blankets** Category (BZJZ) for names of manufacturers.

4A. **Batts and Blankets** — For use with Item 5G. Placed in stud cavities, any min. 3-1/2 in. thick glass fiber insulation bearing the UL Classification Marking as to Surface Burning Characteristics and/or Fire Resistance..

See **Batts and Blankets** (BKNV or BZJZ) Categories for names of Classified companies

5. **Gypsum Board\*** — Nom 5/8 in. thick, 4 ft. wide, gypsum panels with beveled, square or tapered edges, applied vertically or horizontally. Single layer installed on each side of the steel studs for the 1-hr system, two layers installed on each side of the studs for the 2-hr system. Vertical joints centered over studs and staggered one stud cavity on opposite sides of studs. Vertical joints in adjacent layers (2-hr system) staggered one stud cavity. Horizontal edge joints and horizontal butt joints need not be backed by framing. Horizontal edge joints and horizontal butt joints on opposite sides of studs need not be staggered. Horizontal edge joints and horizontal butt joints in adjacent layers (2-hr system) staggered a minimum of 6 in. For the single layer system: panels attached to steel studs and floor runner with 1 in. long Type S steel screws spaced 8 in. OC when applied horizontally, or 8 in. OC along vertical and bottom edges and 12 in. OC in the field when applied vertically. For the double layer system: base layer panels attached to steel studs and floor runner with 1 in. long Type S steel screws spaced 16 in., face layer panels attached to steel studs and floor runner with 1-5/8 in. long Type S steel screws spaced 12 in. When used in widths other than 48 in., gypsum panels to be installed horizontally.

When **Steel Framing Members\*** (Item 7-7C) are used: For the 1-hr system, gypsum panels attached vertically to furring channels with 1 in. long Type S-12 screws spaced 12 in. OC. Vertical joints offset min 12 in. from layer on other side of wall. For the 2-hr system, inner layer of gypsum panels attached vertically to furring channels with 1 in. Type S-12 screws spaced 16 in. OC, outer layer with 1-5/8 in. Type S-12 screws spaced 12 in. OC. Inner layer to be applied vertically. Outer layer to be applied vertically with joints offset a minimum 12 in. from inner layer joints.

**CGC INC** — Type SCX, SHX, IP-X1, WRX, AR, IP-AR, C, WRC, IP-X2, or IPC-AR, USGX (Joint tape and compound, Item 6, optional for use with Type USGX)

**UNITED STATES GYPSUM CO** — Type AR, C, FRX-G, IP-AR, IP-X1, IP-X2, IPC-AR, SCX, SGX, SHX, WRX, WRC, USGX (Joint tape and compound, Item 6, optional for use with Type USGX)

**USG BORAL DRYWALL SFZ LLC** — Types C, SCX, SGX, USGX (Joint tape and compound, Item 6, optional for use with Type USGX)

**USG MEXICO S A DE C V** — Type SCX, SHX, IP-X1, WRX, AR, IP-AR, C, WRC, IP-X2, or IPC-AR, USGX (Joint tape and compound, Item 6, optional for use with Type USGX)

5A. **Gypsum Board\*** — (As an alternate to Item 5) — Single layer installed on each side of the steel studs for the 1-hr system, two layers installed on each side of the studs for the 2-hr system. Nom 3/4 in. thick, 4 ft wide, installed as described in Item 5 with screw length increased to 1-1/4 in. for base layer (or for 1 hr. configuration) 2-1/4 in. for face layer.

**CGC INC** — Types AR, IP-AR

**UNITED STATES GYPSUM CO** — Types AR, IP-AR

**USG MEXICO S A DE C V** — Types AR, IP-AR

5B. **Gypsum Board\*** — (As an alternate to Item 5 may be used as the base layer on one or both sides of wall, For direct attachment only) — Nom 5/8 in. or 3/4 in. thick lead backed gypsum panels with beveled, square or tapered edges, applied vertically. Vertical joints centered over min 20 MSG galvanized steel studs and staggered min 1 stud cavity on opposite sides of studs. See Item 2A. Wallboard secured to studs with 1-1/4 in. long Type S-12 steel screws spaced 8 in. OC at perimeter and 12 in. OC in the field. To be used with Lead Batten Strips (see Item 8) or Lead Discs or Tabs (see Item 9).

**RAY-BAR ENGINEERING CORP** — Type RB-LBG

5C. **Gypsum Board\*** — (As an alternate to Item 5 may be used as the base layer on one or both sides of wall, For direct attachment only) — Nominal 5/8 in. thick lead backed gypsum panels with beveled, square or tapered edges, applied vertically. Vertical joints centered over studs and staggered min 1 stud cavity on opposite sides of studs. Wallboard secured to studs with 1-1/4 in. long Type S-12 (or #6 by 1-1/4 in. long bugle head fine driller) steel screws spaced 8 in. OC at perimeter and 12 in. OC in the field.

**NEW ENGLAND LEAD BURNING CO INC, DBA NELCO** — Nelco

5D. **Gypsum Board\*** — (As an alternate to Item 5, not for use with Items 1C and 2C) — Nom. 5/8 in. thick, 4 ft. wide gypsum panels with beveled, square or tapered edges installed as described in Item 5.

**CGC INC** — Type ULX

**UNITED STATES GYPSUM CO** — Type ULX

**USG MEXICO S A DE C V** — Type ULX

5E. **Gypsum Board\*** — (As an alternate to Item 5 may be used as the base layer on one or both sides of wall, For direct attachment only). Nom 5/8 in. thick lead backed gypsum panels with beveled, square or tapered edges, applied vertically. Vertical joints centered over min 20 MSG galvanized steel studs and staggered min 1 stud cavity on opposite sides of studs. See Item 2A. Wallboard secured to studs with 1-1/4 in. long Type S-12 steel screws spaced 8 in. OC at perimeter and 12 in. OC in the field. Lead batten strips required behind vertical joints of lead backed gypsum wallboard and optional at remaining stud locations. Lead batten strips, min 2 in. wide, max 8 ft long with a max thickness of 0.14 in. placed on the face of studs and attached to the stud with construction adhesive and two 1 in. long Type S-12 pan head steel screws, one at the top of the strip and one at the bottom of the strip. Lead discs, nominal 3/8 in. diam by max 0.085 in. thick. Compression fitted or adhered over the screw heads. Lead batten strips and discs to have a purity of 99.9% meeting the Federal specification QQ-L-201f, Grade "C".

**RADIATION PROTECTION PRODUCTS INC** — Type RPP - Lead Lined Drywall

5F. **Gypsum Board\*** — (As an alternate to Items 4) — For Direct Application to studs Only — For use as the base layer or as the face layer. Nom 5/8 in. thick lead backed gypsum panels with beveled, square or tapered edges, applied vertically. Vertical joints centered over studs and staggered min 1 stud cavity on opposite sides of studs. Wallboard secured to studs with 1-1/4 in. long Type S-12 steel screws spaced 8 in. OC at perimeter and in the field when applied as the base layer. When applied as the face layer screw length to be increased to 2-1/2 in. Lead batten strips required behind vertical joints of lead backed gypsum wallboard and optional at remaining stud locations. Lead batten strips, min 2 in. wide, max 10 ft long with a max thickness of 0.140 in. placed on the face of studs and attached to the stud with two 1 in. long Type S-8 pan head steel screws, one at the top of the strip and one at the bottom of the strip. Lead discs, max 5/16 in. diam by max 0.140 in. thick compression fitted or adhered over the screw heads. Lead batten strips and discs to have a purity of 99.9% meeting the Federal specification QQ-L-201f, Grades "A, B, C or D". Fasteners for face layer gypsum panels (Items 5) when installed over lead backed board to be min 2-1/2 in. Type S-12 bugle head steel screws spaced as described in Item 5.

**MAYCO INDUSTRIES INC** — "X-Ray Shielded Gypsum"

5G. **Gypsum Board\*** — For use with Item 4A, **Batts and Blankets\***, for the 1 hour rating. Nom 5/8 in. thick, 4 ft. wide, gypsum panels installed as described in Item 5.

**UNITED STATES GYPSUM CO** — Type ULIX

5H. **Gypsum Board\*** — Nom 5/8 in. thick, 4 ft. wide, gypsum panels with beveled, square or tapered edges, applied vertically or horizontally. Single layer installed on each side of the steel studs for the 1-hr system, two layers installed on each side of the studs for the 2-hr system. Vertical joints centered over studs and staggered one stud cavity on opposite sides of studs. Vertical joints in adjacent layers (2-hr system) staggered one stud cavity. Horizontal edge joints and horizontal butt joints need not be backed by framing. Horizontal edge joints and horizontal butt joints on opposite sides of studs need not be staggered. Horizontal edge joints and horizontal butt joints in adjacent layers (2-hr system) staggered a minimum of 6 in. For the single layer system: panels attached to steel studs and floor runner with 1 in. long Type S steel screws spaced 8 in. OC when applied horizontally, or 8 in. OC along vertical and bottom edges and 12 in. OC in the field when applied vertically. For the double layer system: base layer panels attached to steel studs and floor runner with 1 in. long Type S steel screws spaced 16 in., face layer panels attached to steel studs and floor runner with 1-5/8 in. long Type S steel screws spaced 12 in. When used in widths other than 48 in., gypsum panels to be installed horizontally.

When **Steel Framing Members\*** (Item 7-7B) are used: For the 1-hr system, gypsum panels attached vertically to furring channels with 1 in. long Type S-12 screws spaced 12 in. OC. Vertical joints offset min 12 in. from layer on other side of wall. For the 2-hr system, inner layer of gypsum panels attached vertically to furring channels with 1 in. Type S-12 screws spaced 16 in. OC, outer layer with 1-5/8 in. Type S-12 screws spaced 12 in. OC. Inner layer to be applied vertically. Outer layer to be applied vertically with joints offset a minimum 12 in. from inner layer joints.

**NATIONAL GYPSUM CO** — Riyadh, Saudi Arabia — Type FR.

6. **Joint Tape and Compound** — (Not Shown) — Outer layer joints covered with joint compound and paper or mesh tape. Screw heads covered with joint compound. Paper tape and joint compound may be omitted when gypsum boards are supplied with square edges.

**7. Steel Framing Members\*** — (Not Shown) — (Optional on one or both sides, not shown, for single or double layer systems)

— Furring channels and Steel Framing Members as described below:

a. **Furring Channels** — Formed of No. 25 MSG galv steel. 2-9/16 in. or 2-23/32 in. wide by 7/8 in. deep, spaced max. 24 in. OC perpendicular to studs. Channels secured to studs as described in Item b. Gypsum board attached to furring channels as described in Item 5. May not be used with items 5B, 5C, 5E or 5F.

b. **Steel Framing Members\*** — Used to attach furring channels (Item 7a) to studs (Item 2). Clips spaced max. 48 in. OC., and secured to studs with No. 8 x 1-1/2 in. minimum self-drilling, S-12 steel screw through the center grommet. Furring channels are friction fitted into clips. RSIC-1 clip for use with 2-9/16 in. wide furring channels. RSIC-1 (2.75) clip for use with 2-23/32 in. wide furring channels.

**PAC INTERNATIONAL L L C** — Types RSIC-1, RSIC-1 (2.75)

**7A. Steel Framing Members\*** — (Optional, Not Shown) — Furring channels and Steel Framing Members as described below:

a. **Furring Channels** — Formed of No. 25 MSG galv steel. Spaced 24 in. OC perpendicular to studs. Channels secured to studs as described in Item b. Ends of adjoining channels overlapped 6 in. and tied together with double strand of No. 18 AWG galvanized steel wire. Gypsum board attached to furring channels as described in Item 5. May not be used with items 5B, 5C, 5E or 5F.

b. **Steel Framing Members\*** — Used to attach furring channels (Item 7Aa) to studs. Clips spaced 48 in. OC., and secured to studs 2 in. coarse drywall screw with 1 in. diam washer through the center hole. Furring channels are friction fitted into clips.

**STUDCO BUILDING SYSTEMS** — RESILMOUNT Sound Isolation Clips - Type A237R

**7B. Steel Framing Members\*** — (Optional, Not Shown) — Furring channels and Steel Framing Members as described below:

a. **Furring Channels** — Formed of No. 25 MSG galv steel, spaced 24 in. OC, and perpendicular to studs. Channels secured to studs as described in Item b. Ends of adjoining channels overlapped 6 in. and secured in place with a double strand of No. 18 AWG twisted steel wire. Gypsum board attached to furring channels as described in Item 5. May not be used with Items 5B, 5C, 5E, or 5F.

b. **Steel Framing Members\*** — Used to attach furring channels (Item 7Ba) to studs. Clips spaced 48 in. OC, and secured to studs with No. 8 x 2-1/2 in. coarse drywall screw through the center hole. Furring channels are friction fitted into clips.

**REGUPOL AMERICA** — Type SonusClip

**7C. Steel Framing Members\*** — (Optional, Not Shown) — Resilient channels and Steel Framing Members as described below:

a. **Resilient Channels** — Formed of No. 25 MSG galv steel, spaced 24 in. OC, and perpendicular to studs. Channels secured to studs as described in Item b. Ends of adjoining channels overlapped 6 in. and secured in place with two No. 8 15 x 1/2 in. Philips Modified Truss screws spaced 2-1/2 in. from the center of the overlap. Gypsum board attached to resilient channels as described in Item 5. May not be used with Items 5B, 5C, 5E, or 5F.

b. **Steel Framing Members\*** — Used to attach resilient channels (Item 7Ca) to studs. Clips spaced 48 in. OC., and secured to studs with No. 8 x 2-1/2 in. coarse drywall screw through the center hole. Resilient channels are secured to clips with one No. 10 x 1/2 in. pan-head self-drilling screw.

**KEENE BUILDING PRODUCTS CO INC** — Type RC+ Assurance Clip

**8. Lead Batten Strips** — (Not Shown, For Use With Item 5B) — Lead batten strips, min 1-1/2 in. wide, max 10 ft long with a max thickness of 0.125 in. Strips placed on the interior face of studs and attached from the exterior face of the stud with two 1 in. long Type S-12 pan head steel screws, one at the top of the strip and one at the bottom of the strip. Lead batten strips to have a purity of 99.9% meeting the Federal specification QQ-L-201f, Grade "C". Lead batten strips required behind vertical joints of lead backed gypsum wallboard (Item 5B) and optional at remaining stud locations. Required behind vertical joints.



9. **Lead Discs or Tabs** — (Not Shown, For Use With Item 5B) — Used in lieu of or in addition to the lead batten strips (Item 8) or optional at other locations - Max 3/4 in. diam by max 0.125 in. thick lead discs compression fitted or adhered over steel screw heads or max 1/2 in. by 1-1/4 in. by max 0.125 in. thick lead tabs placed on gypsum boards (Item 5B) underneath screw locations prior to the installation of the screws. Lead discs or tabs to have a purity of 99.9% meeting the Federal specification QQ-L-201f, Grade "C".

10. **Lead Batten Strips** — (Not Shown, For Use With Item 5C) — Lead batten strips, 2 in. wide, max 10 ft long with a max thickness of 0.142 in. Strips placed on the face of studs and attached to the stud with two min. 1 in. long min. Type S-8 pan head steel screws, one at the top of the strip and one at the bottom of the strip or with one min. 1 in. long min. Type S-8 pan head steel screw at the top of the strip. Lead batten strips to have a purity of 99.9% meeting the Federal specification QQ-L-201f, Grade "C". Lead batten strips required behind vertical joints of lead backed gypsum wallboard (Item 5C) and optional at remaining stud locations.

11. **Lead Tabs** — (Not Shown, For Use With Item 5C) — 2 in. wide, 5 in. long with a max thickness of 0.142 in. Tabs friction-fit around front face of stud, the stud folded back flange, and the back face of the stud. Tabs required at each location where a screw (that secures the gypsum boards, Item 5C) will penetrate the steel stud. Lead tabs to have a purity of 99.9% meeting the Federal specification QQ-L-201f, Grade "C". Lead tabs may be held in place with standard adhesive tape if necessary.

12. **Wall and Partition Facings and Accessories\*** — (Optional, Not Shown) — For use with Items 5 or 5A — Nominal 1/2 in. thick, 4 ft wide panels, for optional use as an additional layer on one or both sides of the assembly. Panels attached in accordance with manufacturer's recommendations. When the QR-500 or QR-510 panel is installed between the steel framing and the UL Classified gypsum board, the required UL Classified gypsum board layer(s) is/are to be installed as indicated as to fastener type and spacing, except that the required fastener length shall be increased by a minimum of 1/2 in. Not evaluated or intended as a substitute for the required layer(s) of UL Classified Gypsum Board.

**PABCO BUILDING PRODUCTS L L C, DBA PABCO GYPSUM** — Type QuietRock QR-500 and QR-510

13. **Barrier Mesh** — (Optional, Not Shown) - Attached to steel studs on one or both sides of the wall using Barrier Mesh Clips spaced at maximum 12 inches on center vertically, using a flat head type screw penetrating through the steel at least 3/8 of an inch. For Steel Studs less than 0.033 inches in thickness, use self-piercing screws. For Steel Studs equal to or greater than 0.033 inches in thickness, use steel drill screws (self-tapping). Gypsum Board (Item 5) to be installed directly over the Barrier Mesh using prescribed screw patterns with lengths increased by a minimum 1/8 in. Barrier Mesh may be installed with the long dimension of the diamond pattern positioned vertically or horizontally. Barrier Mesh joints may occur as butt joints at the framing members and secured using the Barrier Mesh Clips or occur in between framing members as overlapping joints secured using 18 SWG wire ties spaced a maximum 12 in. on center.

**CLARKDIETRICH BUILDING SYSTEMS** — Barrier Mesh, Barrier Mesh Clips

**\* Indicates such products shall bear the UL or cUL Certification Mark for jurisdictions employing the UL or cUL Certification (such as Canada), respectively.**

Last Updated on 2019-10-01

---

The appearance of a company's name or product in this database does not in itself assure that products so identified have been manufactured under UL's Follow-Up Service. Only those products bearing the UL Mark should be considered to be Certified and covered under UL's Follow-Up Service. Always look for the Mark on the product.

UL permits the reproduction of the material contained in the Online Certification Directory subject to the following conditions: 1. The Guide Information, Assemblies, Constructions, Designs, Systems, and/or Certifications (files) must be presented in their entirety and in a non-misleading manner, without any manipulation of the data (or drawings). 2. The statement "Reprinted from the Online Certifications Directory with permission from UL" must appear adjacent to the extracted material. In addition, the reprinted material must include a copyright notice in the following format: "© 2020 UL LLC"