



BXUV.V444

Design/System/Construction/Assembly Usage Disclaimer

- Authorities Having Jurisdiction should be consulted in all cases as to the particular requirements covering the installation and use of UL Certified products, equipment, system, devices, and materials.
- Authorities Having Jurisdiction should be consulted before construction.
- Fire resistance assemblies and products are developed by the design submitter and have been investigated by UL for compliance with applicable requirements. The published information cannot always address every construction nuance encountered in the field.
- When field issues arise, it is recommended the first contact for assistance be the technical service staff provided by the product manufacturer noted for the design. Users of fire resistance assemblies are advised to consult the general Guide Information for each product category and each group of assemblies. The Guide Information includes specifics concerning alternate materials and alternate methods of construction.
- Only products which bear UL's Mark are considered Certified.

BXUV - Fire Resistance Ratings - ANSI/UL 263 Certified for United States

BXUV7 - Fire Resistance Ratings - CAN/ULC-S101 Certified for Canada

See General Information for Fire-resistance Ratings - ANSI/UL 263 Certified for United States
Design Criteria and Allowable Variances

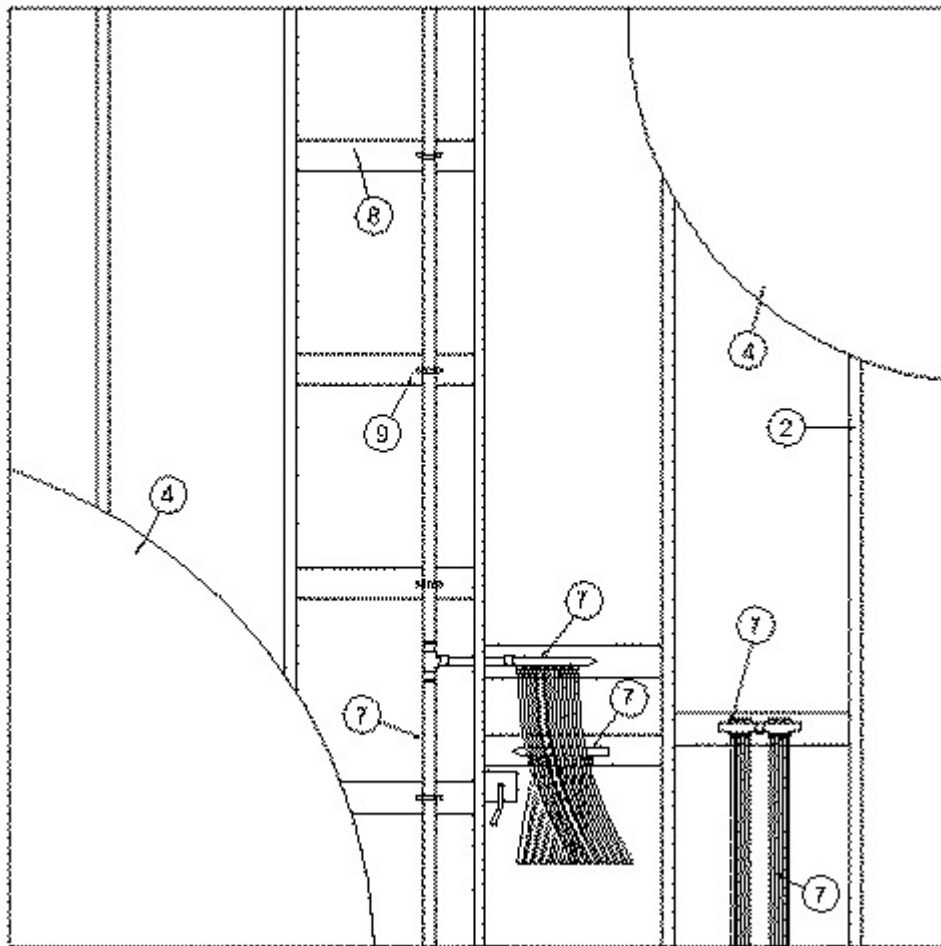
See General Information for Fire Resistance Ratings - CAN/ULC-S101 Certified for Canada
Design Criteria and Allowable Variances

Design No. V444

June 02, 2020

Nonbearing Wall Rating — 1 Hr.

*** Indicates such products shall bear the UL or cUL Certification Mark for jurisdictions employing the UL or cUL Certification (such as Canada), respectively.**



1. Floor and Ceiling Runners — (Not Shown) — Channel shaped runners, 3-5/8 in. wide (min), 1-1/4 in. legs, formed from min No. 25 MSG (min No. 20 MSG when Item 4C is used) galv steel, attached to floor and ceiling with fasteners spaced 24 in. OC max.

1A. Framing Members* — Floor and Ceiling Runners — Not Shown — In lieu of Item 1 - For use with Item 2A, proprietary channel shaped runners, 1-1/4 in. deep by min 3-5/8 in. wide fabricated from min 0.018 in. thick galv steel, attached to floor and ceiling with fasteners spaced 24 in. OC max.

CALIFORNIA EXPANDED METAL PRODUCTS CO — Viper20™ Track

MARINO/WARE, DIV OF WARE INDUSTRIES INC — Viper20™ Track

FUSION BUILDING PRODUCTS — Viper20™ Track

IMPERIAL MANUFACTURING GROUP INC — Viper20™ Track

1B. **Framing Members* — Floor and Ceiling Runners** — Not Shown — In lieu of Item 1 - For use with Item 2B, channel shaped runners, 1-1/4 in. deep by min 3-5/8 in. wide fabricated from min 0.018 in. thick galv steel, attached to floor and ceiling with fasteners spaced 24 in. OC max.

CLARKDIETRICH BUILDING SYSTEMS — CD ProTRAK

DMFCWBS L L C — ProTRAK

MBA METAL FRAMING — ProTRAK

RAM SALES L L C — Ram ProTRAK

STEEL STRUCTURAL PRODUCTS L L C — Tri-S ProTRAK

1C. **Framing Members* — Floor and Ceiling Runners** — Not Shown — In lieu of Item 1 - For use with Item 2C, proprietary channel shaped runners, 1-1/4 in. deep by min 3-5/8 in. wide fabricated from min 0.018 in. thick galv steel, attached to floor and ceiling with fasteners spaced 24 in. OC max.

TELLING INDUSTRIES L L C — Viper20™ Track

1D. **Framing Members* — Floor and Ceiling Runners** — Not Shown — In lieu of Item 1 - For use with Item 2D, channel shaped runners, 1-1/4 in. deep by min 3-5/8 in. wide fabricated from min 0.018 in. thick galv steel, attached to floor and ceiling with fasteners spaced 24 in. OC max. Not to be used with Item 4C.

TELLING INDUSTRIES L L C — TRUE-TRACK™

1E. **Framing Members* — Floor and Ceiling Runners** — Not Shown — In lieu of Item 1 - For use with Item 2F, channel shaped runners, 1-1/4 in. deep by min 3-5/8 in. wide fabricated from min 0.018 in. thick galv steel, attached to floor and ceiling with fasteners spaced 24 in. OC max. Not to be used with Item 4C.

RESCUE METAL FRAMING, L L C — AlphaTRAK

2. **Steel Studs** — Channel shaped, 3-5/8 in. wide (min), 1-1/4 in. legs, 3/8 in. folded back returns, formed from min No. 25 MSG (min No. 20 MSG when Item 4C is used) galv steel spaced max.24 in. OC. Studs cut 3/8 in. less in length than assembly height.

2A. **Framing Members* — Steel Studs** — Not Shown — In lieu of Item 2 - For use with Item 1A, proprietary channel shaped steel studs, 1-1/4 in. deep by min 3-5/8 in. wide fabricated from min 0.018 in. thick galv steel. Studs cut 3/8 in. less in length than assembly height. Spaced 24 in. OC max.

CALIFORNIA EXPANDED METAL PRODUCTS CO — Viper20™

MARINO/WARE, DIV OF WARE INDUSTRIES INC — Viper20™

FUSION BUILDING PRODUCTS — Viper20™

IMPERIAL MANUFACTURING GROUP INC — Viper20™

2B. **Framing Members*** — **Steel Studs** — Not Shown — In lieu of Item 2 - For use with Item 1B, channel shaped steel studs, min 3-5/8 in. wide fabricated from min 0.018 in. thick galv steel. Studs cut 3/8 in. less in length than assembly height. Spaced 24 in. OC max.

CLARKDIETRICH BUILDING SYSTEMS — CD ProSTUD

DMFCWBS L L C — ProSTUD

MBA METAL FRAMING — ProSTUD

RAM SALES L L C — Ram ProSTUD

STEEL STRUCTURAL PRODUCTS L L C — Tri-S ProSTUD

2C. **Framing Members*** — **Steel Studs** — Not Shown — In lieu of Item 2 - For use with Item 1C, proprietary channel shaped steel studs, 1-1/4 in. deep by min 3-5/8 in. wide fabricated from min 0.018 in. thick galv steel. Studs cut 3/8 in. less in length than assembly height. Spaced 24 in. OC max.

TELLING INDUSTRIES L L C — Viper20™

2D. **Framing Members*** — **Steel Studs** — Not Shown — In lieu of Item 2 - For use with Item 1D, channel shaped steel studs, min 3-5/8 in. wide fabricated from min 0.018 in. thick galv steel. Studs cut 3/8 in. less in length than assembly height. Spaced 24 in. OC max. Not to be used with Item 4C.

TELLING INDUSTRIES L L C — TRUE-STUD™

2E. **Framing Members*** — **Steel Studs** — As an alternate to Item 2 — For use with Item 1A (3-5/8 in. wide track), channel shaped studs, fabricated from min 25 MSG corrosion-protected steel, 1-1/4 in. wide by 3-5/8 in. deep, spaced a max of 24 in. OC. Studs to be cut 3/8 to 3/4 in. less than assembly height.

MARINO/WARE, DIV OF WARE INDUSTRIES INC — StudRite™

2F. **Framing Members*** — **Steel Studs** — Not Shown — In lieu of Item 2 - For use with Item 1E, channel shaped steel studs, min 3-5/8 in. wide fabricated from min 0.018 in. thick galv steel. Studs cut 3/8 in. less in length than assembly height. Spaced 24 in. OC max. Not to be used with Item 4C.

RESCUE METAL FRAMING, L L C — AlphaSTUD

3. **Batts and Blankets*** — (Optional, Not Shown) — Mineral wool or glass fiber batts partially or completely filling stud cavity. See **Batts and Blankets** (BZJZ) category for names of Classified companies.

3A. **Batts and Blankets*** — For use with Item 4C. Placed in stud cavities, any min. 3-1/2 in. thick glass fiber insulation bearing the UL Classification Marking as to Surface Burning Characteristics and/or Fire Resistance. See **Batts and Blankets (BKNV or BZJZ) Categories** for names of Classified companies.

4. **Gypsum Board*** — 5/8 in. thick, 4 ft wide, attached to steel studs and floor and ceiling track with 1 in. long, Type S steel screws spaced 8 in. OC. along edges of board and 12 in. OC in the field of the board. Joints oriented vertically and staggered on opposite sides of the assembly. When attached to item 6 (resilient channels) or 6A (furring channels), gypsum board is screw attached to furring channels with 1 in. long, Type S steel screws spaced 12 in. OC.
CGC INC — Types AR, C, IP-AR, IP-X1, IP-X2, IPC-AR, SCX, SHX, USGX (Joint tape and compound, Item 5, optional for use with Type USGX), WRC or WRX.

UNITED STATES GYPSUM CO — Type AR, C, FRX-G, IP-AR, IP-X1, IP-X2, IPC-AR, SCX, SHX, WRC, WRX, USGX (Joint tape and compound, Item 5, optional for use with Type USGX).

USG BORAL DRYWALL SFZ LLC — Types C, SCX, USGX (Joint tape and compound, Item 5, optional for use with Type USGX).

USG MEXICO S A DE C V — Type AR, C, IP-AR, IP-X1, IP-X2, IPC-AR, SCX, SHX, USGX (Joint tape and compound, Item 5, optional for use with Type USGX), WRC or WRX.

4A. **Gypsum Board*** — (As an alternate to Items 4 or 4A) — Nom 3/4 in. thick, 4 ft wide, installed as described in Item 4A with screw length increased to 1-1/4 in.
CGC INC — Types AR, IP-AR.

UNITED STATES GYPSUM CO — Types AR, IP-AR.

USG MEXICO S A DE C V — Types AR, IP-AR.

4B. **Gypsum Board*** — (As an alternate to Item 4, not for use with Items 1B and 2B) — Nom. 5/8 in. thick, 4 ft. wide gypsum panels with beveled, square or tapered edges installed as described in Item 4.
CGC INC — Type ULX

UNITED STATES GYPSUM CO — Type ULX

USG MEXICO S A DE C V — Type ULX

4C. **Gypsum Board*** — As an alternate to Item 4, for use with item 3A **Batts and Blankets*** -5/8 in. thick, 4 ft wide, attached to steel studs and floor and ceiling track with 1 in. long, Type S steel screws spaced 8 in. OC. along edges of board and 12 in. OC in the field of the board. Joints oriented vertically and staggered on opposite sides of the

assembly. When attached to item 6 (resilient channels) or 6A (furring channels), gypsum board is screw attached to furring channels with 1 in. long, Type S steel screws spaced 12 in. OC.

UNITED STATES GYPSUM CO — Type ULIX

5. **Joint Tape and Compound** — (Not Shown) — Vinyl, dry or premixed joint compound, applied in two coats to joints and screw heads; paper tape, 2 in. wide, embedded in first layer of compound over all joints. As an alternate, nominal 3/32 in. thick gypsum veneer plaster may be applied to the entire surface of Classified veneer baseboard. Joints reinforced.

6. **Resilient Channel** — (Optional — Not Shown) — 25 MSG galv steel resilient channels spaced vertically max 24 in. OC, flange portion attached to each intersecting stud with 1/2 in. long type S-12 pan head steel screws. Not for use with Type FRX gypsum panels.

7. **Non-Metallic Plumbing System Components*** — Nom 1/2 in., 5/8 in., 3/4 in., 1 in., 1-1/4 in., 1-1/2 in. and 2 in. diameter tubing attached to cross bracing (Item 8) with steel or copper fasteners (Item 9). The tubing may be connected to standard copper or brass plumbing components, tees, bend supports and manifolds within the cavity. Plastic manifolds and fittings with a weight not exceeding 1.0 lb. per cavity, may be used in lieu of or in addition to copper or brass manifolds. The maximum amount of tubing per stud cavity shall be 1.3 lbs./ft and shall not exceed a total weight per stud cavity of 8.0 lbs.

UPONOR WIRSBO COMPANY — Types AquaPex White, AquaPex Red, AquaPex Blue, and HePex

7A. **Non-Metallic Plumbing System Components*** — (Not Shown) — As an alternate to Item 7, Nominal 1/2 in., 3/4 in. and 1 in. diameter tubing with 1/2 in. insulation attached to cross bracing (Item 8) with steel or copper fasteners (Item 9). The pre-insulated tubing may be connected to standard copper or brass plumbing components, tees, bend supports and manifolds within the cavity. Plastic manifolds and fittings with a weight not exceeding 1.0 lb. per cavity, may be used in lieu of or in addition to copper or brass manifolds. The maximum amount of pre-insulated tubing per stud cavity shall be 1.3 lbs./ft and shall not exceed a total weight per stud cavity of 8.0 lbs.

UPONOR WIRSBO COMPANY — Type Pre-Insulated AquaPex

8. **Cross Bracing** — Standard No. 25 MSG, 3-5/8 in. wide (min), 1-1/4 in. legs, 3/8 in. folded back returns, or 2 by 4 in. dimensional lumber cut to fit within the stud cavity. The maximum spacing between cross bracing in cavities that contain tubing shall be 29 in. OC. The bracing shall be screw attached to the studs using standard 1 in. long Type S screws.

9. **Fasteners** — Standard copper, brass or steel plumbing fasteners. The fasteners shall be screw attached to the bracing using a minimum 7/8 in long screw.

*** Indicates such products shall bear the UL or cUL Certification Mark for jurisdictions employing the UL or cUL Certification (such as Canada), respectively.**

Last Updated on 2020-06-02

The appearance of a company's name or product in this database does not in itself assure that products so identified have been manufactured under UL's Follow-Up Service. Only those products bearing the UL Mark should be considered to be Certified and covered under UL's Follow-Up Service. Always look for the Mark on the product.

UL permits the reproduction of the material contained in the Online Certification Directory subject to the following conditions: 1. The Guide Information, Assemblies, Constructions, Designs, Systems, and/or Certifications (files) must be presented in their entirety and in a non-misleading manner, without any manipulation of the data (or drawings). 2. The statement "Reprinted from the Online Certifications Directory with permission from UL" must appear adjacent to the extracted material. In addition, the reprinted material must include a copyright notice in the following format: "© 2020 UL LLC"