



# BXUV.V418 -

## Design/System/Construction/Assembly Usage Disclaimer

- Authorities Having Jurisdiction should be consulted in all cases as to the particular requirements covering the installation and use of UL Certified products, equipment, system, devices, and materials.
- Authorities Having Jurisdiction should be consulted before construction.
- Fire resistance assemblies and products are developed by the design submitter and have been investigated by UL for compliance with applicable requirements. The published information cannot always address every construction nuance encountered in the field.
- When field issues arise, it is recommended the first contact for assistance be the technical service staff provided by the product manufacturer noted for the design. Users of fire resistance assemblies are advised to consult the general Guide Information for each product category and each group of assemblies. The Guide Information includes specifics concerning alternate materials and alternate methods of construction.
- Only products which bear UL's Mark are considered Certified.

---

## BXUV - Fire Resistance Ratings - ANSI/UL 263 Certified for United States

## BXUV7 - Fire Resistance Ratings - CAN/ULC-S101 Certified for Canada

See General Information for Fire-resistance Ratings - ANSI/UL 263 Certified for United States  
Design Criteria and Allowable Variances

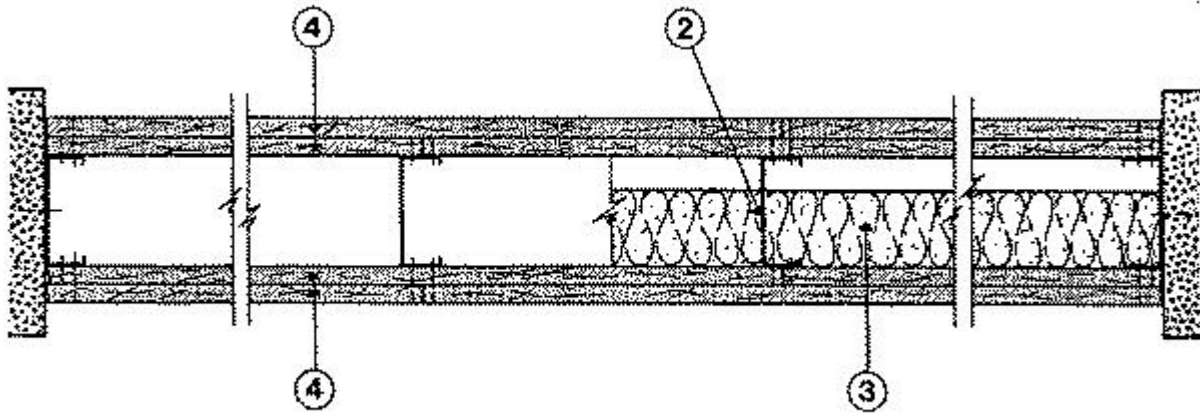
See General Information for Fire Resistance Ratings - CAN/ULC-S101 Certified for Canada  
Design Criteria and Allowable Variances

### Design No. V418

March 13, 2020

### Nonbearing Wall Rating — 2 Hr

**\* Indicates such products shall bear the UL or cUL Certification Mark for jurisdictions employing the UL or cUL Certification (such as Canada), respectively.**



1. **Floor and Ceiling Runners** — (Not Shown) — 25 MSG (min) galv steel 1 in. high, return legs 1-5/8 in. wide (min), attached to floor and ceiling with fasteners 24 in. OC.

1A. **Framing Members\* — Floor and Ceiling Runner** — Not Shown — In lieu of Item 1 — For use with Item 2A, proprietary channel shaped runners, 1-1/4 in. deep by min 1-5/8 in. wide fabricated from min 0.018 in. thick galv steel, attached to floor and ceiling with fasteners spaced 24 in. OC max.

**CALIFORNIA EXPANDED METAL PRODUCTS CO** — Viper20™ Track

**MARINO/WARE, DIV OF WARE INDUSTRIES INC** — Viper20™ Track

**FUSION BUILDING PRODUCTS** — Viper20™ Track

**IMPERIAL MANUFACTURING GROUP INC** — Viper20™ Track

1B. **Framing Members\* — Floor and Ceiling Runners** — Not Shown — In lieu of Item 1 — For use with Item 2B, channel shaped runners, 1-1/4 in. deep by min 1-5/8 in. wide fabricated from min 0.018 in. thick galv steel, attached to floor and ceiling with fasteners spaced 24 in. OC max.

**CLARKDIETRICH BUILDING SYSTEMS** — CD ProTRAK

**DMFCWBS L L C** — ProTRAK

**MBA METAL FRAMING** — ProTRAK

**RAM SALES L L C** — Ram ProTRAK

**STEEL STRUCTURAL PRODUCTS L L C** — Tri-S ProTRAK

1C. **Framing Members\* — Floor and Ceiling Runner** — Not Shown — In lieu of Item 1 — For use with Item 2C, proprietary channel shaped runners, 1-1/4 in. deep by min 1-5/8 in. wide fabricated from min 0.018 in. thick galv steel, attached to floor and ceiling with fasteners spaced 24 in. OC max.

**TELLING INDUSTRIES L L C** — Viper20™ Track

1D. **Framing Members\* — Floor and Ceiling Runners** — Not Shown — In lieu of Item 1 — For use with Item 2D, channel shaped runners, 1-1/4 in. deep by min 1-5/8 in. wide fabricated from min 0.018 in. thick galv steel, attached to floor and ceiling with fasteners spaced 24 in. OC max.

**TELLING INDUSTRIES L L C** — TRUE-TRACK™

1E. **Framing Members\* — Floor and Ceiling Runners** — Not Shown — In lieu of Item 1 — For use with Item 2E, proprietary channel shaped runners, min 1-5/8 in. wide (SmartTrack20™), min 3-5/8 in. wide (SmartTrack25™), attached to floor and ceiling with fasteners spaced 24 in. OC max.

**CRACO MFG INC** — SmartTrack25™, SmartTrack20™

1F. **Framing Members\* — Floor and Ceiling Runners** — Not Shown — In lieu of Item 1 — For use with Item 2G, channel shaped runners, 1-1/4 in. deep by min 3-1/2 in. wide fabricated from min 0.018 in. thick galv steel, attached to floor and ceiling with fasteners spaced 24 in. OC max.

**STEEL INVESTMENT GROUP L L C** — AlphaTRAK

2. **Steel Studs** — 1-5/8 in. wide (min), 1-1/4 in. legs, 1/4 in. return, formed of 25 MSG (min) galv steel. Max stud spacing 24 in. OC. Studs to be cut 3/4 in. less than assembly height.

2A. **Framing Members\* — Steel Studs** — Not Shown — In lieu of Item 2 — For use with Item 1A, proprietary channel shaped steel studs, 1-1/4 in. deep by min 1-5/8 in. wide fabricated from min 0.018 in. thick galv steel. Studs cut 3/4 in. less in length than assembly height. Spaced 24 in. OC max.

**CALIFORNIA EXPANDED METAL PRODUCTS CO** — Viper20™

**MARINO/WARE, DIV OF WARE INDUSTRIES INC** — Viper20™

**FUSION BUILDING PRODUCTS** — Viper20™

**IMPERIAL MANUFACTURING GROUP INC** — Viper20™

2B. **Framing Members\* — Steel Studs** — Not Shown — In lieu of Item 2 — For use with Item 1B, channel shaped steel studs, 1-1/4 in. deep by min 1-5/8 in. wide fabricated from min 0.018 in. thick galv steel. Studs cut 3/4 in. less in length than assembly height. Spaced 24 in. OC max.

**CLARKDIETRICH BUILDING SYSTEMS** — CD ProSTUD

**DMFCWBS L L C** — ProSTUD

**MBA METAL FRAMING** — ProSTUD

**RAM SALES L L C** — Ram ProSTUD

**STEEL STRUCTURAL PRODUCTS L L C** — Tri-S ProSTUD

2C. **Framing Members\* — Steel Studs** — Not Shown — In lieu of Item 2 — For use with Item 1C, proprietary channel shaped steel studs, 1-1/4 in. deep by min 1-5/8 in. wide fabricated from min 0.018 in. thick galv steel. Studs cut 3/4 in. less in length than assembly height. Spaced 24 in. OC max.

**TELLING INDUSTRIES L L C** — Viper20™

**2D. Framing Members\* — Steel Studs** — Not Shown — In lieu of Item 2 — For use with Item 1D, channel shaped steel studs, 1-1/4 in. deep by min 1-5/8 in. wide fabricated from min 0.018 in. thick galv steel. Studs cut 3/4 in. less in length than assembly height. Spaced 24 in. OC max.

**TELLING INDUSTRIES L L C** — TRUE-STUD™

**2E. Framing Members\* — Steel Studs** — Not Shown — In lieu of Item 2 — For use with Item 1E, proprietary channel shaped studs, min 1-5/8 in. wide (SmartStud20™), min 3-5/8 in. wide (SmartStud25™). Studs cut 3/4 in. less in length than assembly height. Spaced 24 in. OC max.

**CRACO MFG INC** — SmartStud25™, SmartStud20™

**2F. Framing Members\* — Steel Studs** — As an alternate to Item 2 - For use with Item 1A (3-5/8 in. wide track), channel shaped studs, fabricated from min 25 MSG corrosion-protected steel, 1-1/4 in. wide by 3-5/8 in. deep, spaced a max of 24 in. OC. Studs to be cut 3/8 to 3/4 in. less than assembly height.

**MARINO/WARE, DIV OF WARE INDUSTRIES INC** — StudRite™

**2G. Framing Members\* — Steel Studs** — Not Shown — In lieu of Item 2 — For use with Item 1F, channel shaped steel studs, 1-1/4 in. deep by min 3-1/2 in. wide fabricated from min 0.018 in. thick galv steel. Studs cut 3/4 in. less in length than assembly height. Spaced 24 in. OC max.

**STEEL INVESTMENT GROUP L L C** — AlphaSTUD

**3. Batts and Blankets\*** — Mineral wool batts, partially or completely filling stud cavity.

**ROCKWOOL** — Types Acoustical Fire Batts, AFB

**ROCKWOOL MALAYSIA SDN BHD** — Type Acoustical Fire Batts

**ROCK WOOL MANUFACTURING CO** — Type Delta Board

**4. Gypsum Board\*** — 1/2 in. thick. Gypsum board applied vertically in two layers. (Laminated System) Inner layer attached to studs with 1 in. long Type S steel screws spaced 24 in. OC along vertical edges, and 24 in. OC in the field. Outer layer laminated to inner layer with joint compound, applied with a notched spreader producing continuous beads of compound about 3/8 in. in diam, spaced not greater than 2 in. OC. Joints of laminated outer layer offset 12 in. from inner layer joints. Outer layer gypsum board attached to inner layer with 1-1/2 in. long Type G steel screws spaced 24 in. OC along edges and center line of each sheet. Optional, (Direct Attached System) Gypsum board applied vertically in two layers. Inner layer attached to studs with 1 in. long Type S steel screws spaced 24 in. OC in the field and along the vertical edges. Outer layer attached to the studs over the inner layer with 1-5/8 in. long Type S steel screws spaced 12 in. OC in the field, along the vertical edges, and to the floor and ceiling runners. Joints of screw-attached outer layer offset from inner layer joints.

Optional, (Direct Attached System), Inner layer gypsum board applied vertically, outer layer gypsum board applied horizontally. Inner layer attached to studs with 1 in. Type S steel screws spaced 24 in. OC along vertical edges and in the field.

Outer layer attached to the studs over the inner layer with 1-5/8 in. long Type S steel screws spaced 12 in. OC in the field, along the vertical edges, and to the floor and ceiling runners. Outer layer secured to inner layer gypsum board with 1-1/2 in. long Type G steel screws located midway between studs and 1 in. from the horizontal joint. Outer layer gypsum board joints covered with joint tape and min two coats of joint compound, and screw heads covered with min two coats of joint compound. As an alternate, nom 3/32 in. thick gypsum veneer plaster may be applied to the entire surface of Classified veneer baseboard. Joints reinforced.

**AMERICAN GYPSUM CO** — Types AG-C.

**CABOT MANUFACTURING ULC** — Type C.

**CERTAINTED GYPSUM INC** — Type C

**CGC INC** — Type C, IP-X2, IPC-AR or WRC.

**CONTINENTAL BUILDING PRODUCTS OPERATING CO, L L C** — Type LGFC-C/A

**GEORGIA-PACIFIC GYPSUM L L C** — Types 5, C, DAP, DA, DAPC, TG-C.

**NATIONAL GYPSUM CO** — Types eXP-C, FSK-C, FSW-G, FSW-C, FSMR-C.

**PABCO BUILDING PRODUCTS L L C, DBA PABCO GYPSUM** — Type PG-C

**SAINT-GOBAIN GYPROC MIDDLE EAST FZE** — Type Gyproc FireStop, Gyproc FireStop MR, Gyproc FireStop M2TECH, Gyproc FireStop ACTIV'Air, Gyproc FireStop MR ACTIV'Air, Gyproc FireStop M2TECH ACTIV'Air

**THAI GYPSUM PRODUCTS PCL** — Type C.

**UNITED STATES GYPSUM CO** — Type C, IP-X2, IPC-AR or WRC

**USG BORAL DRYWALL SFZ LLC** — Type C

**USG MEXICO S A DE C V** — Type C, IP-X2, IPC-AR or WRC

4A. **Gypsum Board\*** — (As an alternate to Item 4) — 5/8 in. thick. Two layers installed by any method as described in Item 4.  
**NATIONAL GYPSUM CO** — Type FSMR-C.

**UNITED STATES GYPSUM CO** — Type ULIX

**\* Indicates such products shall bear the UL or cUL Certification Mark for jurisdictions employing the UL or cUL Certification (such as Canada), respectively.**

Last Updated on 2020-03-13

---

The appearance of a company's name or product in this database does not in itself assure that products so identified have been manufactured under UL's Follow-Up Service. Only those products bearing the UL Mark should be considered to be Certified and covered under UL's Follow-Up Service. Always look for the Mark on the product.

UL permits the reproduction of the material contained in the Online Certification Directory subject to the following conditions: 1. The Guide Information, Assemblies, Constructions, Designs, Systems, and/or Certifications (files) must be presented in their entirety and in a non-misleading manner, without any manipulation of the data (or drawings). 2. The statement "Reprinted from the Online Certifications Directory with permission from UL" must appear adjacent to the extracted material. In addition, the reprinted material must include a copyright notice in the following format: "© 2020 UL LLC"