



XHBN.HW-S-0128 - Joint Systems

Design/System/Construction/Assembly Usage Disclaimer

- Authorities Having Jurisdiction should be consulted in all cases as to the particular requirements covering the installation and use of UL Certified products, equipment, system, devices, and materials.
- Authorities Having Jurisdiction should be consulted before construction.
- Fire resistance assemblies and products are developed by the design submitter and have been investigated by UL for compliance with applicable requirements. The published information cannot always address every construction nuance encountered in the field.
- When field issues arise, it is recommended the first contact for assistance be the technical service staff provided by the product manufacturer noted for the design. Users of fire resistance assemblies are advised to consult the general Guide Information for each product category and each group of assemblies. The Guide Information includes specifics concerning alternate materials and alternate methods of construction.
- Only products which bear UL's Mark are considered Certified.

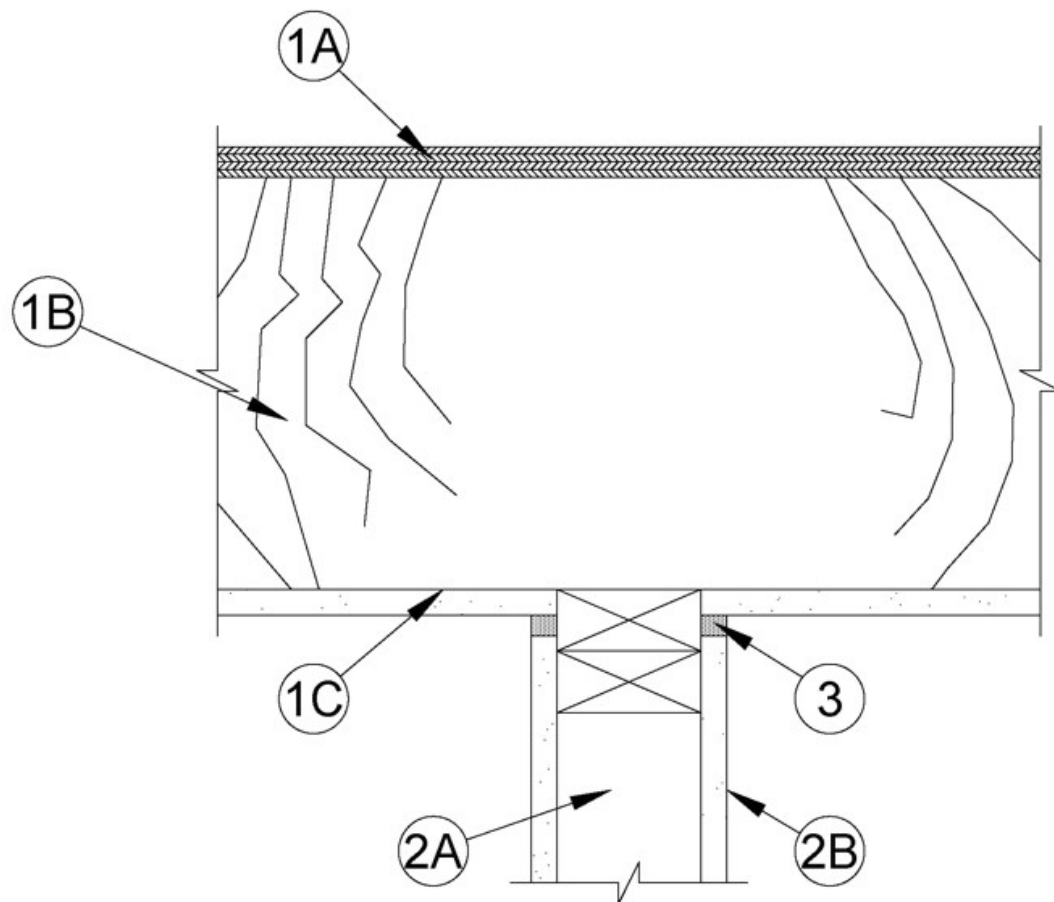
XHBN - Joint Systems

See General Information for Joint Systems

System No. HW-S-0128

October 21, 2019

Assembly Rating — 1 Hr
Joint Width — 1/2 In. Max



1. Floor Assembly — The 1 hr fire rated wood joist, wood truss or combination wood and steel truss Floor-Ceiling assembly shall be constructed of the materials and in the manner described in the individual L500 Series Floor-Ceiling Design in the UL Fire Resistance Directory and shall include the following construction features:

A. **Flooring System** — Lumber or plywood subfloor with finish floor of lumber, plywood or **Floor Topping Mixture*** as specified in the individual Floor-Ceiling Design.

B. **Wood Joists** — Nom 10 in. (254 mm) deep (or deeper) lumber, steel or combination lumber and steel joists, trusses or **Structural Wood Members*** with bridging as required and with ends firestopped.

C. **Gypsum Board*** — Nom 4 ft. (122 cm) wide by 5/8 in. (16 mm) thick as specified in the individual Floor-Ceiling Design.

2. Wall Assembly* — The 1 hr fire rated gypsum board/lumber stud wall assembly shall be constructed of the materials and in the manner described in the individual U300 Series Wall and Partition Designs in the UL Fire Resistance Directory and shall include the following construction features:

A. **Studs** — Wall framing to consist of nom 2 by 4 in. (51 by 102 mm) lumber spaced 16 in. (406 mm) OC. Double top plate installed parallel or perpendicular to direction of wood joists and secured to bottom of joists with steel fasteners spaced max 24 in. (610 mm) OC.

B. **Gypsum Board*** — Gypsum board sheets installed to a min total thickness of 5/8 in. (16 mm) on each side of wall. Wall to be constructed as specified in the individual Wall and Partition Design in the UL Fire Resistance Directory, except that a max 1/2 in. (13 mm) gap shall be maintained between the top of the gypsum board and the ceiling of the floor-ceiling assembly.

3. Joint System — Fill, Void or Cavity Material* — Max separation between the bottom of the ceiling and the top of the wall is 1/2 in. (13 mm). Fill material to be installed as described below.

A. **Fill, Void or Cavity Material*** — Between the edge of the drywall and the floor/ceiling assembly shall be filled with vinyl deflection bead with 5/16 in. (8 mm) intumescent strip and foam applied to horizontal leg that runs above the edge of the drywall. The perforated leg may be attached to surface of drywall with 1/2 in. (13 mm) staples every 6-8 in. (152-203 mm).

CALIFORNIA EXPANDED METAL PRODUCTS CO — HOTROD XL

TRIM-TEX INC — Trim Tex-Hot Rod Type XL

B. **Fill, Void or Cavity Material*** — (Not Shown) - As an alternate to HOTROD (Item 3A) at the 1/2 in. (13 mm) gap between the edge of the drywall and the floor/ceiling assembly shall be filled with vinyl deflection bead with 5/16 in. (8 mm) intumescent strip applied to horizontal leg that runs above the edge of the drywall. The horizontal leg is sized at 5/8 in. (16 mm) for 1-hour walls. Joint compound may be applied over perforated flange and drywall.

CALIFORNIA EXPANDED METAL PRODUCTS CO — FIRE BEAD (Fire Rated Deflection Bead)

MARINO/WARE, DIV OF WARE INDUSTRIES INC — FIRE BEAD

MARINO/WARE, DIV OF WARE INDUSTRIES INC — HOT ROD Type-XL

TRIM-TEX INC — Trim Tex-Fire Bead (Fire Rated Deflection Bead)

*** Indicates such products shall bear the UL or cUL Certification Mark for jurisdictions employing the UL or cUL Certification (such as Canada), respectively.**

Last Updated on 2019-10-21

The appearance of a company's name or product in this database does not in itself assure that products so identified have been manufactured under UL's Follow-Up Service. Only those products bearing the UL Mark should be considered to be Certified and covered under UL's Follow-Up Service. Always look for the Mark on the product.

UL permits the reproduction of the material contained in the Online Certification Directory subject to the following conditions: 1. The Guide Information, Assemblies, Constructions, Designs, Systems, and/or Certifications (files) must be presented in their entirety and in a non-misleading manner, without any manipulation of the data (or drawings). 2. The statement "Reprinted from the Online Certifications Directory with permission from UL" must appear adjacent to the extracted material. In addition, the reprinted material must include a copyright notice in the following format: "© 2020 UL LLC"