



# XHBN.HW-D-0873 - Joint Systems

## Design/System/Construction/Assembly Usage Disclaimer

- Authorities Having Jurisdiction should be consulted in all cases as to the particular requirements covering the installation and use of UL Certified products, equipment, system, devices, and materials.
- Authorities Having Jurisdiction should be consulted before construction.
- Fire resistance assemblies and products are developed by the design submitter and have been investigated by UL for compliance with applicable requirements. The published information cannot always address every construction nuance encountered in the field.
- When field issues arise, it is recommended the first contact for assistance be the technical service staff provided by the product manufacturer noted for the design. Users of fire resistance assemblies are advised to consult the general Guide Information for each product category and each group of assemblies. The Guide Information includes specifics concerning alternate materials and alternate methods of construction.
- Only products which bear UL's Mark are considered Certified.

## XHBN - Joint Systems

### XHBN7 - Joint Systems Certified for Canada

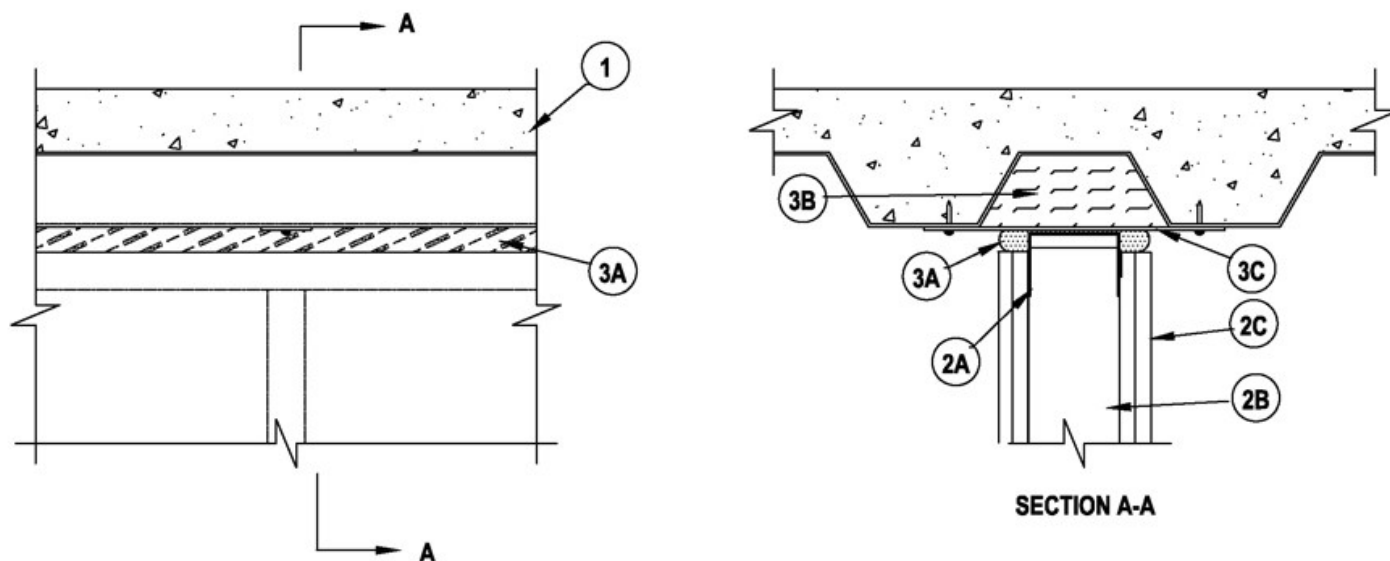
See General Information for Joint Systems

See General Information for Joint Systems Certified for Canada

### System No. HW-D-0873

November 26, 2019

ANSI/UL2079	CAN/ULC S115
Assembly Ratings — 1 and 2 Hr (See Item 2)	F Rating — 1 and 2 Hr (See Item 2)
Nominal Joint Width — 1 or 1-1/2 In (See Item 3)	FT Rating — 1 and 2 Hr (See Item 2)
Class II or III Movement Capabilities — 50% Compression or Extension or 66% Compression only	FH Rating — 1 and 2 Hr (See Item 2)
L Rating at Ambient — Less than 1 CFM/Lin Ft	FTH Rating — 1 and 2 Hr (See Item 2)
L Rating at 400°F — Less than 1 CFM/Lin Ft	Nominal Joint Width - 25 or 38 mm (See Item 3)
	Class II or III Movement Capabilities — 50% Compression or Extension or 66% Compression only
	L Rating at Ambient — Less than 1.55 L/s/mt
	L Rating at 204°F — Less than 1.55 L/s/mt



**1. Floor Assembly** — The fire-rated fluted steel deck/concrete floor assembly shall be constructed of the materials and in the manner described in the individual Floor-Ceiling Design in the UL Fire Resistance Directory. The hourly fire rating of the floor assembly shall be equal to or greater than the hourly fire rating of the wall assembly. The floor assembly shall include the following construction features:

A. **Steel Floor And Form Units\*** — Max 3 in. (76 mm) deep galv fluted floor units.

B. **Concrete** — Min 2-1/2 in. (64 mm) thick reinforced (100-150 pcf or 1600-2400 kg/m<sup>3</sup>) concrete, as measured from the top plane of the floor units.

**2. Wall Assembly** — The 1 or 2 h fire-rated gypsum board /steel stud wall assembly shall be constructed of the materials and in the manner specified in the individual U400, V400 or W400 Series Wall and Partition Design in the UL Fire Resistance Directory and shall include the following construction features:

A. **Steel Floor and Ceiling Runners** — Floor and ceiling runners of wall assembly shall consist of min No. 25 gauge galv steel channels sized to accommodate steel studs (Item 2B). Flange height of ceiling runner shall be min 1/4 in. (6 mm) greater than max extended joint width. Ceiling runner installed parallel to direction of fluted steel deck and secured to steel straps (Item 3C) with two steel min No. 10 by 3/4 in. (19 mm) steel screws spaced max 24 in. (610 mm) OC.

A1. **Light Gauge Framing\* — Slotted Ceiling Runner** — As an alternate to the ceiling runner in Item 2A, slotted ceiling runner to consist of galv steel channel with slotted flanges sized to accommodate steel studs (Item 2B). Slotted ceiling runner secured to steel straps (Item 3C) with two steel min No. 10 by 3/4 in. (19 mm) steel screws spaced max 24 in. (610 mm) OC.

**BRADY CONSTRUCTION INNOVATIONS INC, DBA SLIPTRACK SYSTEMS** — SLP-TRK

**CALIFORNIA EXPANDED METAL PRODUCTS CO** — CST

**CLARKDIETRICH BUILDING SYSTEMS** — Types SLT, SLT-H

**MARINO/WARE, DIV OF WARE INDUSTRIES INC** — Type SLT

**METAL-LITE INC** — The System

**SCAFCO STEEL STUD MANUFACTURING CO** — Slotted Track

**TELLING INDUSTRIES L L C** — True-Action Deflection Track

B. **Studs** — Steel studs to be min 3-1/2 in. (89 mm) wide. Studs cut 3/4 to 1 in. (19 to 25 mm) less in length than assembly height with bottom nesting in and resting on floor runner and with top nesting in ceiling runner without attachment. When slotted ceiling runner (Item 2A1) is used, steel studs secured to slotted ceiling runner with No. 8 by 1/2 in. (13 mm) long wafer head steel screws at mid-height of slot on each side of wall. Stud spacing not to exceed 24 in. (610 mm) OC.

C. **Gypsum Board\*** — For 1 hr assembly, one layer of 5/8 in. (16 mm) thick gypsum board is required in the individual Wall and Partition Design. For 2 hr assembly, two layers of 5/8 in. (16 mm) thick gypsum board is required in the individual Wall and Partition Design. The screws attaching the gypsum board to studs at the top of the wall shall be located 3-1/2 in. (89 mm) to 5-1/2 in. (138 mm) below the bottom edge of the ceiling runner.

**The hourly ratings of the joint system are dependent on the hourly rating of the wall.**

3. **Joint System** — **When max separation between the bottom of steel floor unit and top of wall is 1 in. (25 mm), the joint system is designed to accommodate a max 50 percent compression or extension from its installed width. When max separation between the bottom of steel floor unit and top of wall is 1-1/2 in. (38 mm), the joint system is designed to accommodate a max 66% compression only from its installed width. When max separation between the bottom of floor and top of wall is 1 in. (25 mm). The joint system is designed to accommodate a max 50 percent compression or extension from its installed width.** The joint system consists of the following:

A. **Fill, Void or Cavity Material\* — Top Track Seal** — Factory supplied foam seal installed over the ceiling runner (Item 2A) prior to attachment to steel straps in accordance with the installation instructions.

**HILTI CONSTRUCTION CHEMICALS, DIV OF HILTI INC** — CFS-TTS MD OS or CFS-TTS MD 600 Firestop Top Track Seal

B. **Forming Material\*** — Flute Cover - The fluted area of steel floor is fitted with preformed flute covers, formed to the shape of the flutes and are friction fit to into the flutes to completely fill the area of the flute above the ceiling runner.

**HILTI CONSTRUCTION CHEMICALS, DIV OF HILTI INC** — CFS-TTS MD C1.5, CFS-TTS MD C2, CFS-TTS MD C3 Firestop Top Track Cover

C. **Steel Straps** — Min 16 ga, 2 in. (51 mm) wide by 10 in. (254 mm) long galvanized steel straps attached to steel deck with masonry anchors or steel fasteners on each side of the flutes, max 24 in. (610 mm) OC.

**\* Indicates such products shall bear the UL or cUL Certification Mark for jurisdictions employing the UL or cUL Certification (such as Canada), respectively.**

Last Updated on 2019-11-26

The appearance of a company's name or product in this database does not in itself assure that products so identified have been manufactured under UL's Follow-Up Service. Only those products bearing the UL Mark should be considered to be Certified and covered under UL's Follow-Up Service. Always look for the Mark on the product.

UL permits the reproduction of the material contained in the Online Certification Directory subject to the following conditions: 1. The Guide Information, Assemblies, Constructions, Designs, Systems, and/or Certifications (files) must be presented in their entirety and in a non-misleading manner, without any manipulation of the data (or drawings). 2. The statement "Reprinted from the Online Certifications Directory with permission from UL" must appear adjacent to the extracted material. In addition, the reprinted material must include a copyright notice in the following format: "© 2020 UL LLC"