



XHBN.HW-D-0748 - Joint Systems

Design/System/Construction/Assembly Usage Disclaimer

- Authorities Having Jurisdiction should be consulted in all cases as to the particular requirements covering the installation and use of UL Certified products, equipment, system, devices, and materials.
- Authorities Having Jurisdiction should be consulted before construction.
- Fire resistance assemblies and products are developed by the design submitter and have been investigated by UL for compliance with applicable requirements. The published information cannot always address every construction nuance encountered in the field.
- When field issues arise, it is recommended the first contact for assistance be the technical service staff provided by the product manufacturer noted for the design. Users of fire resistance assemblies are advised to consult the general Guide Information for each product category and each group of assemblies. The Guide Information includes specifics concerning alternate materials and alternate methods of construction.
- Only products which bear UL's Mark are considered Certified.

XHBN - Joint Systems

XHBN7 - Joint Systems Certified for Canada

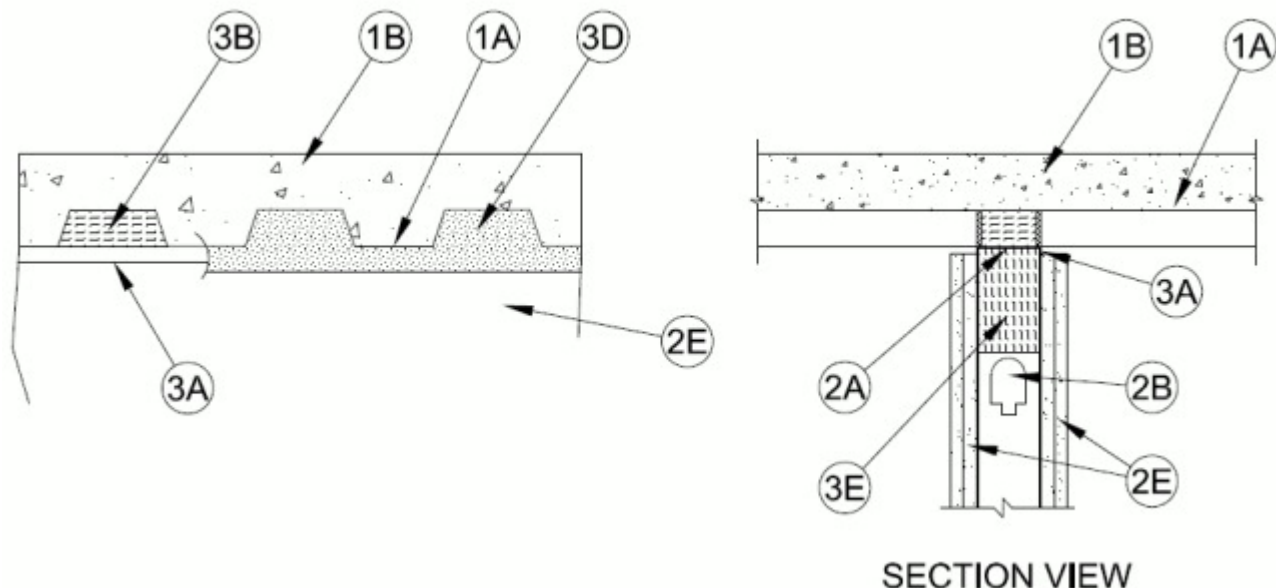
See General Information for Joint Systems

See General Information for Joint Systems Certified for Canada

System No. HW-D-0748

February 22, 2018

ANSI/UL2079	CAN/ULC S115
Assembly Ratings - 1 and 2 Hr (See Item 2)	F Ratings - 1 and 2 Hr (See Item 2)
Nominal Joint Width - 1 In.	FT Ratings - 1 and 2 Hr (See Item 2)
Class II Movement Capabilities - 100% Compression or Extension	FH Ratings - 1 and 2 Hr (See Item 2)
L Rating At Ambient - Less Than 1 CFM/Lin FT	FTH Ratings - 1 and 2 Hr (See Item 2)
L Rating At 400 F - Less Than 1 CFM/Lin FT	Nominal Joint Width - 1 In.
	Class II Movement Capabilities - 100% Compression or Extension
	L Rating At Ambient - Less Than 1.55 L/s/m
	L Rating At 204°C - Less Than 1.55 L/s/m



1. Floor Assembly — The fire-rated fluted steel floor unit/concrete floor assembly shall be constructed of the materials and in the manner described in the individual D900 Series Floor-Ceiling Designs in the Fire Resistance Directory. The hourly fire rating of the floor assembly shall be equal to or greater than the hourly fire rating of the wall assembly. The floor assembly shall include the following construction features:

A. **Steel Floor and Form Units*** — Max 3 in. (76 mm) deep galv steel fluted floor units.

B. **Concrete** — Min 2-1/2 in. (64 mm) thick reinforced concrete, as measured from the top plane of the floor units.

1A. Roof Assembly — (Not Shown) - As an alternate to the floor assembly (Item 1), a fire rated fluted steel deck roof assembly may be used. The roof assembly shall be constructed of the materials and in the manner described in the individual P900 Series Roof-Ceiling Design in the UL Fire Resistance Directory. The hourly fire rating of the roof assembly shall be equal to or greater than the hourly fire rating of the wall assembly. The roof assembly shall include the following construction features:

A. **Steel Roof Deck** — Max 3 in. (76 mm) deep galv steel fluted roof deck.

B. **Roof Insulation** — Min 2-1/4 in. (57 mm) thick poured insulating concrete, as measured from the top plane of the steel roof deck.

2. Wall Assembly — The 1 or 2 hr fire-rated gypsum board/stud wall assembly shall be constructed of the materials and in the manner described in the individual U400, V400 or W400 Series Wall and Partition Design in the UL Fire Resistance Directory and shall include the following construction features:

A. **Steel Floor and Ceiling Runners** — Floor and ceiling runners of wall assembly shall consist of galv steel channels sized to accommodate steel studs (Item 2B). Length of flange to equal fully extended width of joint plus 1/4 in. (6 mm). Ceiling runner secured to floor or roof assembly with steel masonry anchors or steel fasteners spaced max of 24 in. (610 mm) OC.

A1. **Light Gauge Framing* - Vertical Deflection Ceiling Runner** — As an alternate to the ceiling runner in Item 2A, vertical deflection ceiling runner to consist of galv steel channel with slotted vertical deflection clips mechanically fastened within runner. Slotted clip provided with step bushings for permanent fastening of steel studs. Flanges sized to accommodate steel studs (Item 2B). Vertical deflection ceiling runner secured to floor or roof assembly with steel masonry anchors or steel fasteners spaced max of 24 in. (610 mm) OC.

THE STEEL NETWORK INC — VertiTrack VTD358, VTD400, VTD600 and VTD800

A2. **Light Gauge Framing* - Notched Ceiling Runner** — As an alternate to the ceiling runners in Items 2A or 2A1, notched ceiling runners to consist of C-shaped galv steel channel with notched return flanges sized to accommodate steel studs (Item 2B). Notched ceiling runner secured to floor or roof assembly with steel masonry anchors or steel fasteners spaced max of 24 in. (610 mm) OC.

OLMAR SUPPLY INC — Type SCR

A3. Light Gauge Framing* - Slotted Ceiling Runner — As an alternate to the ceiling runner in Item 2A through 2A2, ceiling runner to consist of galv steel channel with slotted flanges sized to accommodate steel studs (Items 2B). Ceiling runner secured to floor or roof assembly with steel masonry anchors or steel fasteners spaced max of 24 in. (610 mm) OC.

BRADY CONSTRUCTION INNOVATIONS INC, DBA SLIPTRACK SYSTEMS — SLP-TRK

CALIFORNIA EXPANDED METAL PRODUCTS CO — CST

CLARKDIETRICH BUILDING SYSTEMS — Type SLT, SLT-H

METAL-LITE INC — The System

RAM SALES L L C — RAM Slotted Track

SCAFCO STEEL STUD MANUFACTURING CO — Slotted Track

MARINO/WARE, DIV OF WARE INDUSTRIES INC — Type SLT slotted track

B. Studs — Steel studs to be min 3-1/2 in. (89 mm) wide. Studs cut 1 in. (25 mm) less in length than assembly height with bottom nesting in and resting on floor runner and with top nesting in ceiling runner without attachment. When vertical deflection ceiling runner (Item 2A1) is used, steel studs secured to slotted vertical deflection clips, through bushings, with steel screws at mid-height of each slot. When slotted ceiling runner (Item 2A3) is used, steel studs secured to slotted ceiling runner with No. 8 by 1/2 in. (13 mm) long wafer head steel screws at mid-height of slot on each side of wall. Stud spacing not to exceed 24 in. (610 mm) OC.

C. Batts and Blankets* — (Not Shown) — As an alternate to the forming material (Item 3E), min 2.5 pcf (40 kg/m³) mineral wool batt insulation, of a width and thickness to completely fill stud cavity. Insulation batts friction fit to completely fill all stud cavities below the bottom surface of the steel ceiling runner.
See **Batts and Blankets** (BZJZ) category in the Fire Resistance Directory for names of manufacturers.

D. Batts and Blankets* — (Not Shown) — In 1 hr fire rated wall assemblies as an alternate to the forming material (Item 3E), any glass fiber insulation bearing the UL Classification Marking as to fire resistance or surface burning characteristics, of a width and thickness to completely fill stud cavity. Insulation batts friction fit to completely fill all stud cavities below the bottom surface of the steel ceiling runner. At the steel ceiling runner, the top 6 in. (152 mm) section of insulation is to be folded back upon itself to double the density at this location.
See **Batts and Blankets** (BZJZ) category in the Fire Resistance Directory for names of manufacturers.

E. Gypsum Board* — Gypsum board sheets installed to a min total thickness of 5/8 in. (16 mm) and 1-1/4 in. (32 mm) on each side of wall for 1 and 2 hr fire rated assemblies, respectively. Wall to be constructed as specified in the individual Wall and Partition Design in the UL Fire Resistance Directory, except that a nom 1 in. (25 mm) gap shall be maintained between the top of the gypsum board and the bottom surface of the floor or roof. The top row of screws shall be installed into the steel studs 1 to 5 in. (25 to 127 mm) below the bottom edge of the ceiling runner flange.
The hourly fire rating of the joint system is dependent on the hourly fire rating of the wall assembly in which it is installed.

3. Joint System — Max separation between bottom plane of the floor or roof and top of gypsum board is 1 in. (25 mm). The joint system is designed to accommodate a max 100 percent compression or extension from its installed width. The joint system consists of the following:

A. **Fill, Void or Cavity Material*** — Factory-supplied intumescent gasket installed and nominally centered over the ceiling runner (Item 2A, 2A1, 2A2, 2A3) prior to attachment to underside of floor or roof assembly. Gypsum wallboard layers to be installed on both sides of the wall maintaining a minimum 1/8 in. (3 mm) overlap over the intumescent gasket at time of installation.

SPECIFIED TECHNOLOGIES INC — Speed Flex Track Top Gasket

B. **Forming Material*** — Nom 4 pcf (64 kg/m³) mineral wool batt cut to the shape of the steel deck flute and friction fitted into the flutes above the ceiling runner. The forming material shall be recessed from each surface of wall ceiling runner to accommodate the required thickness of fill material (Item 3D).

INDUSTRIAL INSULATION GROUP L L C — MinWool-1200 Safing

JOHNS MANVILLE — Safing

ROCK WOOL MANUFACTURING CO — Delta Board

ROCKWOOL MALAYSIA SDN BHD — SAFE

ROCKWOOL — SAFE

THERMAFIBER INC — Type SAF

C. **Forming Material*** — As an option to Item 3B, preformed mineral wool plugs, formed to the shape of the fluted floor units, friction fit to completely fill the flutes above ceiling runner. The forming material shall be recessed from each surface of wall ceiling runner to accommodate the required thickness of fill material (Item 3D).

THERMAFIBER INC — TopStop mineral wool deck plugs Type SAF batts

D. **Fill, Void or Cavity Material* — Sealant** — Min 1/4 in. (6 mm) thickness of fill material installed on each side of the wall in the flutes of the steel floor or roof deck and between the top of the fill, void or cavity material (Item 3A) and the bottom of the steel floor or roof deck, flush with each surface of wall framing.

SPECIFIED TECHNOLOGIES INC — SpecSeal ES Sealant

E. **Forming Material*** — When stud cavities are not filled with mineral wool batt insulation or glass fiber insulation (Items 2C or 2D), nom 4 in. (102 mm) thick by 6 in. (152 mm) wide sections of 4 pcf (64 kg/m³) mineral wool batt insulation installed between studs (Item 2B) flush with the bottom surface of the steel runner.

INDUSTRIAL INSULATION GROUP L L C — MinWool-1200 Safing

JOHNS MANVILLE — Safing

ROCK WOOL MANUFACTURING CO — Delta Board

ROCKWOOL MALAYSIA SDN BHD — Safe

ROCKWOOL — Safe

THERMAFIBER INC — SAF

*** Indicates such products shall bear the UL or cUL Certification Mark for jurisdictions employing the UL or cUL Certification (such as Canada), respectively.**

Last Updated on 2018-02-22

The appearance of a company's name or product in this database does not in itself assure that products so identified have been manufactured under UL's Follow-Up Service. Only those products bearing the UL Mark should be considered to be Certified and covered under UL's Follow-Up Service. Always look for the Mark on the product.

UL permits the reproduction of the material contained in the Online Certification Directory subject to the following conditions: 1. The Guide Information, Assemblies, Constructions, Designs, Systems, and/or Certifications (files) must be presented in their entirety and in a non-misleading manner, without any manipulation of the data (or drawings). 2. The statement "Reprinted from the Online Certifications Directory with permission from UL" must appear adjacent to the extracted material. In addition, the reprinted material must include a copyright notice in the following format: "© 2020 UL LLC"