

SSB Bypass Framing Slide-Clip Strut Connector

The SSB connector is a versatile strut connector that is commonly used at the bottom of a steel beam to accommodate large stand-off conditions. It accommodates 1" of upward and 1" of downward movement.

Material: 54 mil (16 ga.)

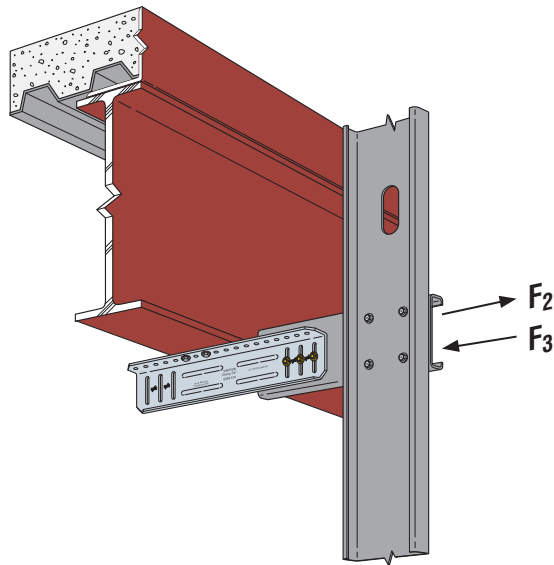
Finish: Galvanized (G90)

Codes: IAPMO ER-238

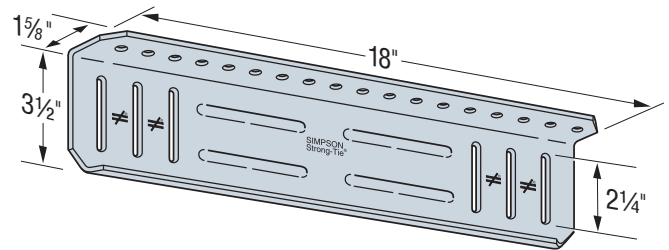
Ordering Information: SSB3.518-KT contains:

- Box of 25 connectors
- 83 shouldered screws

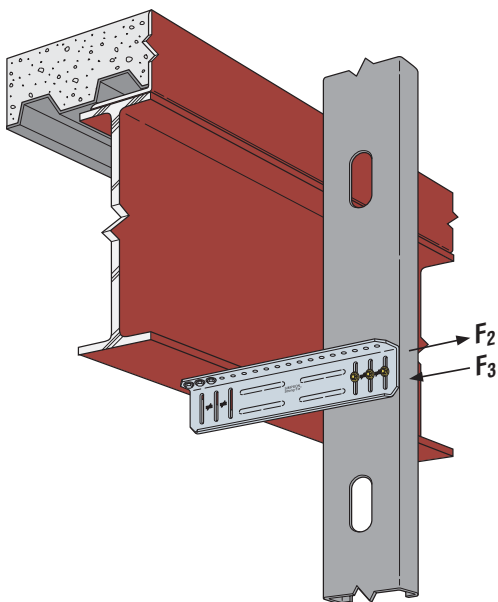
Load Tables: Visit strongtie.com for the latest load tables and testing information



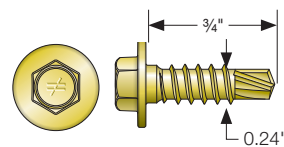
Typical SSB Installation with Stud Strut



SSB
U.S. Patent 8,555,592



Typical SSB3.518 Installation



#14 Shouldered Screw