

# SCW Head-of-Wall Slide-Clip Connectors

The SCW connectors offer 1" of upward and 1" of downward movement. They are primarily used in head-of-wall applications that require vertical movement relative to the structure. SCW connectors are often used to strengthen window and door jambs for projects that utilize slip track.

**Material:** 54 mil (16 ga.)

**Finish:** Galvanized (G90)

**Codes:** IAPMO ER-238

**Load Tables:** Visit [strongtie.com](http://strongtie.com) for the latest load tables and testing information

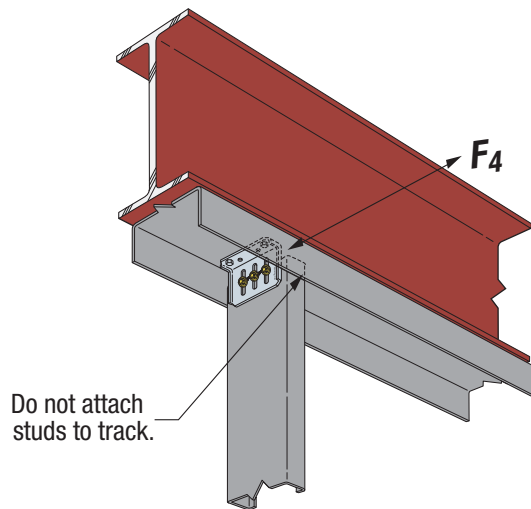
**Ordering Information:**

SCW3.25-KT contains:

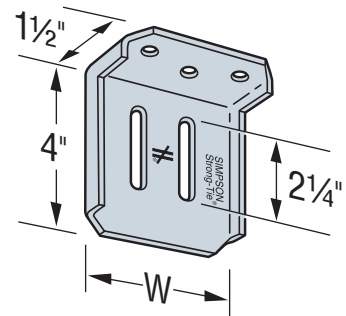
- Box of 25 connectors
- 55 shouldered screws

SCW5.5-KT contains:

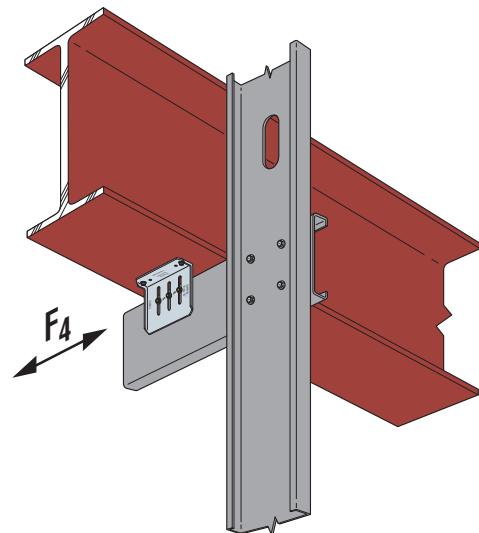
- Box of 25 connectors
- 83 shouldered screws



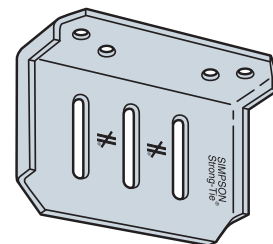
Typical SCW Installation at Stud



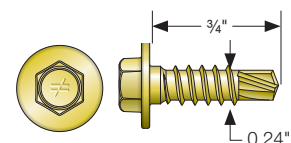
SCW3.25



Typical SCW Installation with Stud Strut



SCW5.5



#14 Shouldered Screw