

# MSSC4.25KW and MSSC6.25KW Kneewall Connectors

MSSC connectors are designed to work in tandem with Simpson Strong-Tie® BP½-3 bearing plates to provide solutions for moment-resisting kneewall applications.

**Features:**

- One simple custom hole pattern for each stud size simplifies specification and installation
- ¾" diameter anchor bolt location enables easy tool access

**Material:** MSSC – 97 mil (50 ksi); BP – 229 mil (33 ksi)

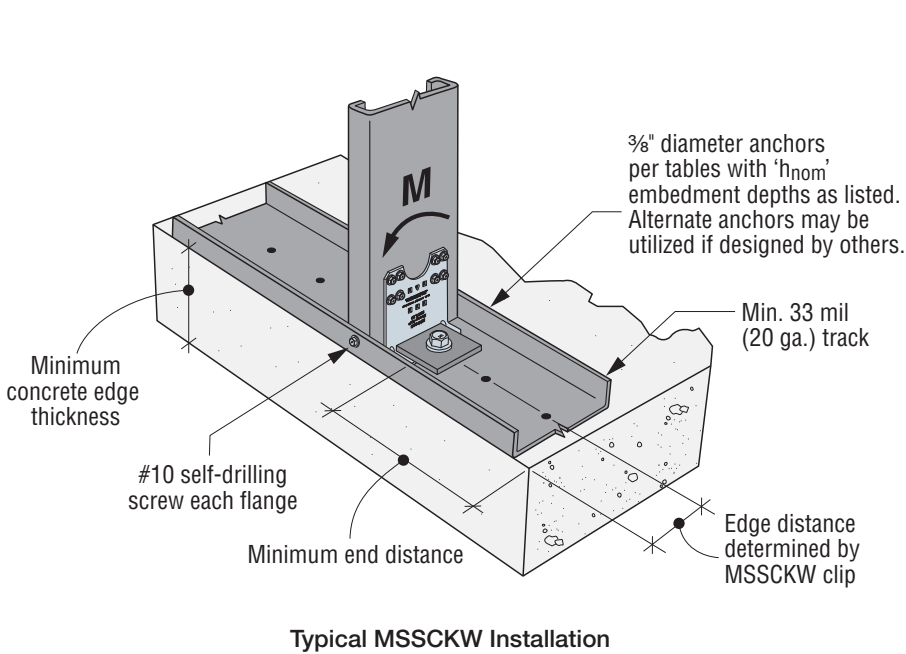
**Finish:** MSSC – Galvanized (G90); BP – None

**Codes:** IAPMO ER-238

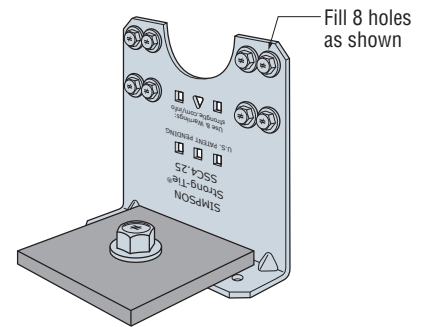
**Load Tables:** Visit [strongtie.com](http://strongtie.com) for the latest load tables and testing information

## Ordering Information

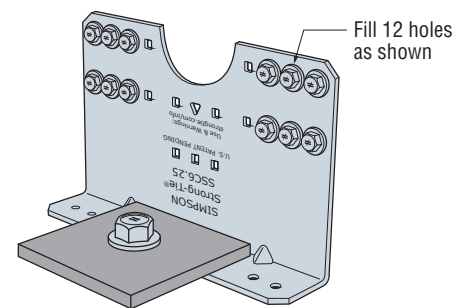
Model Number	Ordering SKU	Package Quantity
MSSC4.25KW	MSSC4.25KW-KT20	Box of 20 connectors and 20 BP bearing plates
MSSC6.25KW	MSSC6.25KW-KT20	



Typical MSSCKW Installation



MSSC4.25KW Fastener Pattern



MSSC6.25KW Fastener Pattern