

FCB Bypass Framing Fixed-Clip Connector

The FCB clip is an economical, high-performance fixed-clip connector that can be used for a variety of framing applications. It is rated for tension, compression, shear and in-plane loads and offers the Designer the flexibility of specifying different screw and anchorage patterns that conform to desired load levels.

Features:

- Rated for tension, compression, shear and in-plane loads
- Provides design flexibility with varying screw and anchorage patterns that achieve different load levels
- Strategically placed stiffeners, embossments and anchor holes maximize connector performance

Material: 54 mil (16 ga.)

Finish: Galvanized (G90)

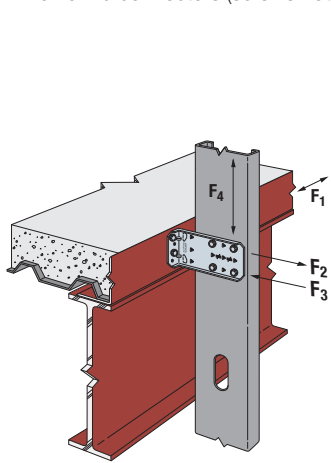
Codes: Codes: IAPMO ER-238

Load Tables: Visit strongtie.com for the latest load tables and testing information

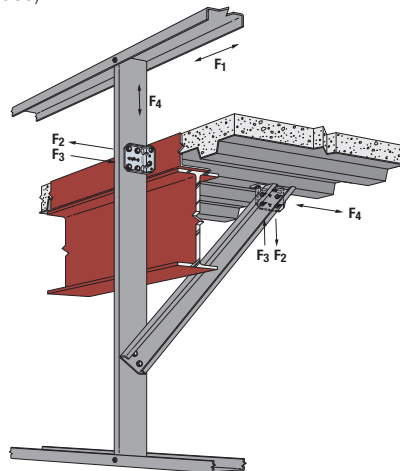
Ordering Information:

FCB43.5-R25, FCB45.5-R25, FCB47.5-R25, FCB49.5-R25, and FCB411.5-R25 contain:

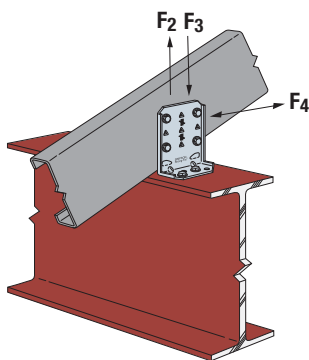
- Box of 25 connectors (screws not included)



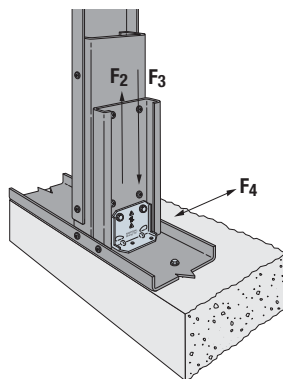
Typical FCB Installation at Bypass Framing



Typical FCB Installation at Spandrel Studs and Kickers



Typical FCB Installation for Roof Rafters



Typical FCB Installation at the Base of a 6" Jamb Stud

