



Expanding Your Solutions

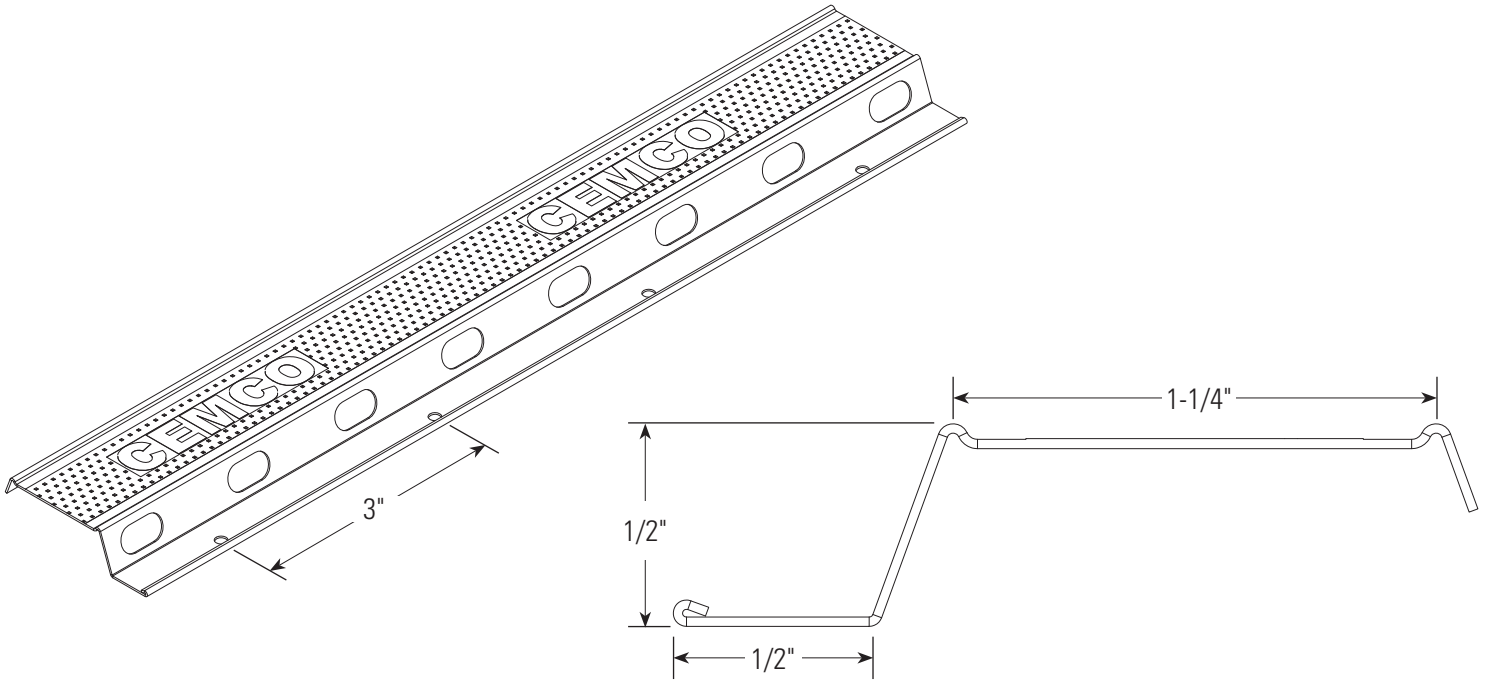
**Corporate Headquarters**  
13191 Crossroads Pkwy N., Ste 325  
City of Industry, CA 91746  
Phone: 800.775.2362  
Fax: 626.330.7598

**Manufacturing Facilities**  
City of Industry, CA  
Denver, CO  
Ft. Worth, TX  
Pittsburg, CA

**Structural Engineering/Design**  
1001-A Pittsburgh Antioch Hwy  
Pittsburg, CA 94565  
Phone: 800.775.2362  
Fax: 626.330.7598

**Technical Services**  
13191 Crossroads Pkwy N., Ste 325  
City of Industry, CA 91746  
Phone: 800.416.2278  
Fax: 626.249.5004

# "RC1" RESILIENT CHANNEL (1/2" HEIGHT)



## Geometric Properties

CEMCO's **RC1** resilient channels are manufactured with a 1-1/4" top flange, and a 1/2" nailing/screw attachment flange, giving the channel 1/2" furring height from the face of the wall stud. **RC1** is produced from hot-dipped galvanized steel in standard G40 coating weight. G60 is available upon special request.

## Steel Thickness

Thickness (mil)	Design Thickness (in) <sup>1</sup>	Minimum Thickness (in) <sup>2</sup>
18	0.0188 (0.48mm)	0.0179 (0.46mm)

**Notes:**  
1. Uncoated Steel Thickness. Thickness is for carbon sheet steel.  
2. Minimum Thickness represents 95% of the design thickness and is the minimum acceptable thickness delivered to the job site, based on the 2012 AISI.

## Color Code (painted on ends):

18-mil: None

## ASTM & Code Standards:

- ASTM A653/A653M, A924/A924M, C645, A1003/A1003M, C645, C754 (installation)
- ISI 2012 NAS
- IBC: 2012, 2015, 2018
- CBC: 2013, 2016
- AISI: S100-07, S100-12, S100-16, S220-11, S220-15

## Technical Services

Technical Services: 800.416.2278  
Structural Engineering/Design: 925.473.9340  
www.cemcosteel.com

## LEED v4 for Building and Design Construction

- MR Prerequisite: Construction and Demolition Waste Management Planning.
- MR Credit: Construction and Demolition Waste Management.
- MR Credit: Building Product Disclosure and Optimization – Sourcing of Raw Materials, Option 2.
- MR Credit: Building Product Disclosure and Optimization – Environmental Product Declarations, Options 1 & 2.
- MR Credit: Building Product Disclosure and Optimization – Material Ingredients, Option 1.
- MR Credit: Building Life-Cycle Impact Reduction, Option 4.

## CEMCO cold-formed steel framing products contain 30% to 37% recycled steel.

- Total Recycled Content: 36.9%
- Post-Consumer: 19.8%
- Pre-Consumer: 14.4%



This technical information reflects the most current information available and supersedes any and all previous publications effective December 21, 2018.  
12-21-18 AT