

S/LTT, S/DTT and HTT Tension Ties

The HTT is a single-piece formed tension tie — no rivets, and a 4-ply formed seat. No washers are required.

S/DTT2Z tension tie is suitable for lighter-duty hold-down applications on single or back-to-back studs, and installed easily with #14 self-drilling screws.

The HTT, S/DTT and S/LTT Tension Ties are ideal for retrofit or new construction projects. They provide high-strength, post-pour, concrete-to-steel connections.

Material: HTT—111 mil (11 ga.)

S/DTT2Z—68 mil (14 ga.)

S/LTT20B—Strap: 97 mil (12 ga.); Plate: 229 mil (3 ga.)

Finish: HTT, S/LTT—Galvanized (G90); S/DTT2Z—ZMAX® coating

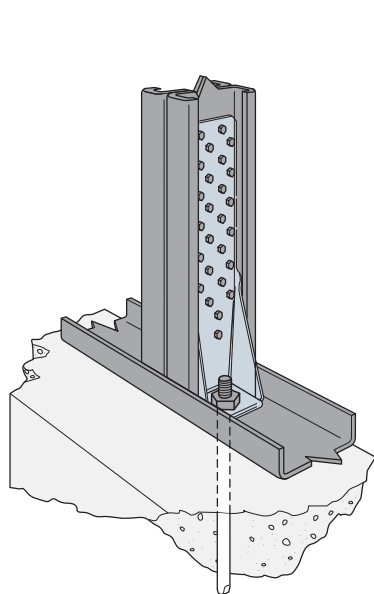
Codes: IAPMO ER-124

Load Tables: Visit strongtie.com for the latest load tables and testing information

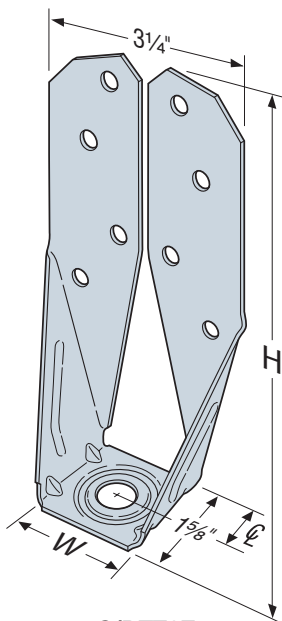


Model	Dimensions (in.)			Fasteners		Stud Member Thickness mil (ga.)
	W	H	Ø	Anchor Bolt Diameter (in.)	Stud Fasteners	
S/LTT20	2	20	1½	½	8 - #10	33 (20)
S/DTT2Z	1½	6¼	¾	½	8 - #14	43 (18)
						2-33 (2-20)
HTT4	2½	12¾	1¾	¾	18 - #10	33 (20)
						2-33 (2-20)
HTT5	2½	16	1¾	¾	26 - #10	43 (18)
						2-43 (2-18)
						1-54 (1-16)

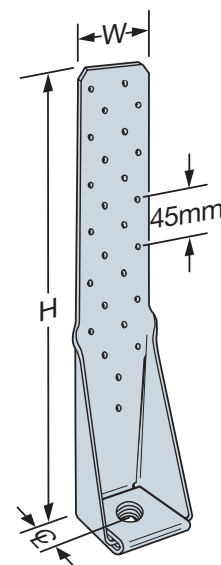
These products are available with additional corrosion protection. Additional products on this page may also be available with this option. Check with Simpson Strong-Tie for details.



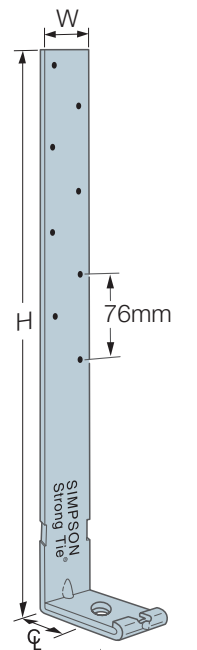
Typical HTT5 Installation As a Holddown



S/DTT2Z



HTT5 (HTT4 similar)



S/LTT20

Load transfer plate — washer not required