

LTS/MTS/HTS Twist Straps

Twist straps provide a tension connection between two members. They resist uplift at the heel of a truss economically. LTS/ MTS have a 2" bend section and HTS has a 3¾" bend section that eliminates interference at the transition points between the two members.

Material: See table

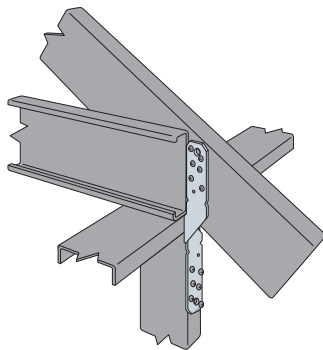
Finish: Galvanized (G90); some products available in stainless steel and ZMAX®

Codes: IAPMO ER-124

Load Tables: Visit strongtie.com for the latest load tables and testing information

Model No.	Connector Material Thickness mil (ga.)	L (in.)	Fasteners (Total)		
			Rafter/Stud/Joist Thickness		
			33 mil (20 ga.)	43 mil (18 ga.)	54 mil (16 ga.)
LTS12	43 (18)	12	(10) #10	(6) #10	(6) #10
LTS16		16	(10) #10	(6) #10	(6) #10
LTS18		18	(10) #10	(6) #10	(6) #10
LTS20		20	(10) #10	(6) #10	(6) #10
MTS12	54 (16)	12	(12) #10	(8) #10	(6) #10
MTS16		16	(12) #10	(8) #10	(6) #10
MTS18		18	(12) #10	(8) #10	(6) #10
MTS20		20	(12) #10	(8) #10	(6) #10
MTS30		30	(12) #10	(8) #10	(6) #10
MTS24C		24	(12) #10	(8) #10	(6) #10
MTS30C		30	(12) #10	(8) #10	(6) #10
HTS16	68 (14)	16	(16) #10	(12) #10	(6) #10
HTS20		20	(18) #10	(12) #10	(6) #10
HTS24		24	(18) #10	(12) #10	(6) #10
HTS30		30	(18) #10	(12) #10	(6) #10
HTS30C		30	(18) #10	(12) #10	(6) #10

These products are available with additional corrosion protection. Additional products on this page may also be available with this option. Check with Simpson Strong-Tie for details.



Typical MTS Installation
Truss to Steel Studs

