

S/JCT and S/HJCT Steel Joist Connectors

The S/JCT and S/HJCT are unique, skewable steel-joist framing connectors that combine strength, versatility and low installed cost. The connectors can be used with CFS headers, wood headers, steel I-beams (with welds or PAF fasteners) and masonry walls. Installed cost is minimized since these products are shear rather than bearing connectors, eliminating the need for web stiffeners. The connectors also feature horizontal tabs that facilitate top flange alignment and joist support during screw installation.

Material: S/JCT – 68 mil (14 ga.); S/HJCT – 97 mil (12 ga.)

Finish: Galvanized

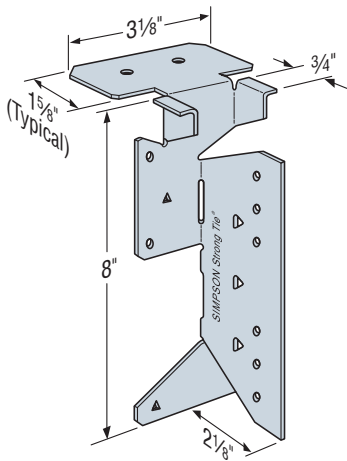
Features:

- Uni-directional: Joist can be attached from left or right
- One size fits joists 8" through 14" deep
- Optional holes for additional load capacity
- Simplicity of design
- Quick and easy installation
- Field skewable up to 45° left or right

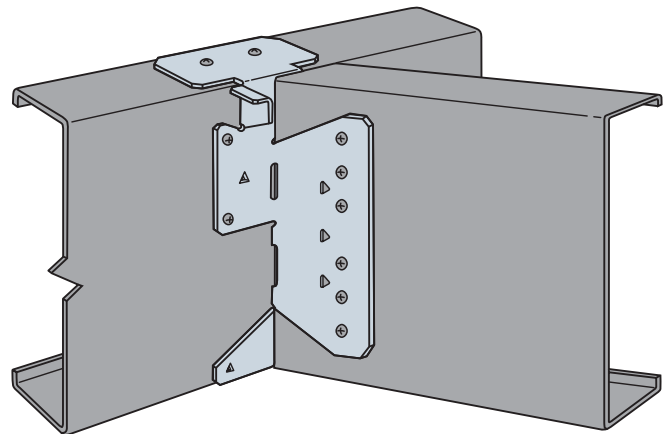
Codes: IAPMO ER-124

Load Tables: Visit strongtie.com for the latest load tables and testing information

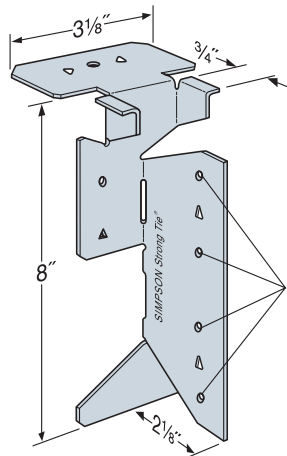
Ordering Information: The S/JCT is sold in cartons of 50. The S/HJCT is sold in kits as the S/HJCT-KT and contains five (5) connectors and (95) #14 screws.



S/HJCT
U.S. Patent 6,230,467



S/HJCT
Skewed 45° Installation



S/JCT