



Expanding Your Solutions

Corporate Headquarters
13191 Crossroads Pkwy N., Ste 325
City of Industry, CA 91746
Phone: 800.775.2362
Fax: 626.330.7598

Manufacturing Facilities
City of Industry, CA
Denver, CO
Ft. Worth, TX
Pittsburg, CA

Structural Engineering/Design
1001-A Pittsburgh Antioch Hwy
Pittsburg, CA 94565
Phone: 800.775.2362
Fax: 626.330.7598

Technical Services
13191 Crossroads Pkwy N., Ste 325
City of Industry, CA 91746
Phone: 800.416.2278
Fax: 626.249.5004

CEMCO FLUTE SHIELD (SPRAYLESS FLUTE CLIP)

Product Description

CEMCO FLUTE SHIELD is a galvanized steel clip that is designed to conceal and compress mineral wool within the parallel legs of the clip profile. The CEMCO Flute Shield is sold independently of the mineral wool so that the installer can use any UL certified 4 PSF minimum mineral wool or mineral wool plug compressed to 33% within the perpendicular flute void. The Flute Shield is friction fit over the web and leg of the installed header track on both sides of the wall and no additional fire spray is required over the clip.

- **FLUTE SHIELD** is made for all flute size openings.
- **FLUTE SHIELD** is UL tested and certified to UL-2079 5th Edition.
- **FLUTE SHIELD** provides an L-Rating of less than 1 CFM.
- **FLUTE SHIELD** is tested for air leakage for compliance with Section 713.6 of IBC and CBC.
- **FLUTE SHIELD** provides 1- and 2-hour fire rates with the same clip profile.
- **FLUTE SHIELD** is specifically manufactured and marked to be easily recognizable by inspectors.
- **FLUTE SHIELD** has zero fatigue and will not breakdown for the life of the assembly.
- **FLUTE SHIELD** installs fully cured and has no installation temperature or humidity restrictions.

ASTM & Code Standards

- ASTM A1003, A653, A924
- IBC: 2012, 2015, 2018, 2021
- CBC: 2013, 2016, 2019
- AISI: 2012
- ASTM E 1966: Standard Test Method of Fire Tests of Firestop Systems – UL 2079 5th Edition Tests for Fire Resistance of Building Joints.
- ASTM E-119 Standard Test Methods for Fire Tests of Building Construction and Material.
- Air leakage tests conducted for compliance with Section 713.6 of IBC and CBC.
- UL listings/approvals – HW-D-0525; HW-D-0518; HW-D-0553.
- **U.S. Patent No. 11,162,259**

LEED v3 for Building and Design Construction

- MR Credit 2: Construction Waste Management.
- MR Credit 4: Recycled Content.

LEED v4 for Building and Design Construction

- MR Prerequisite: Construction and Demolition Waste Management Planning.
- MR Credit: Construction and Demolition Waste Management.
- MR Credit: Building Product Disclosure and Optimization – Sourcing of Raw Materials, Option 2.
- MR Credit: Building Product Disclosure and Optimization – Environmental Product Declarations, Options 1 & 2.
- MR Credit: Building Product Disclosure and Optimization – Material Ingredients, Option 1.
- MR Credit: Building Life-Cycle Impact Reduction, Option 4.

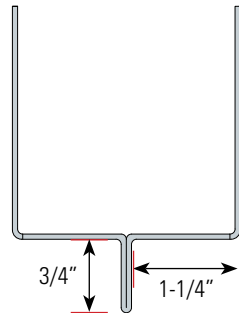
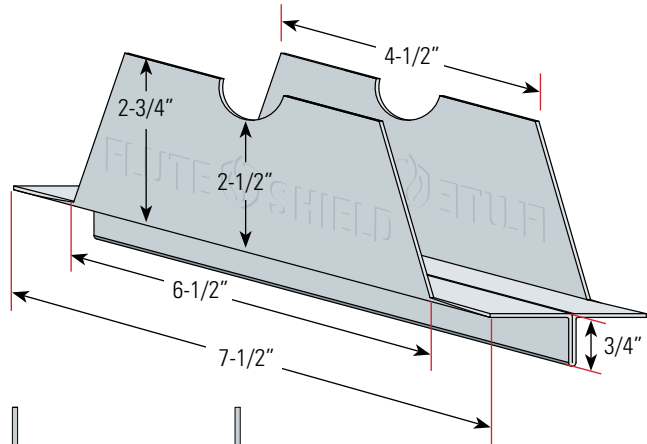
CEMCO cold-formed steel framing products contain 30% to 37% recycled steel

- Total Recycled Content: 36.9%
- Post-Consumer: 19.8%
- Pre-Consumer: 14.4%

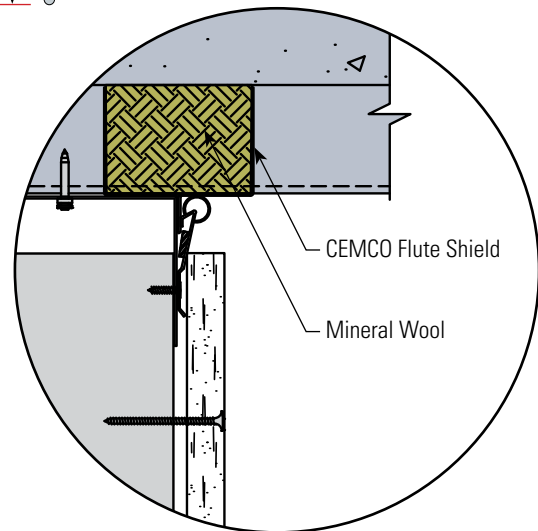
Technical Services

Technical Services: 800.416.2278
Structural Engineering/Design: 925.473.9340
www.cemcosteel.com

FLUTE SHIELD SPRAYLESS FLUTE CLIP



N.T.S.
.030 MIL THICKNESS



← Scan or click the code to view the installation video!



This technical information reflects the most current information available and supersedes any and all previous publications effective June 21, 2022.

06-21-22 AT