

# FSB Bypass Framing Fixed-Clip Strut Connector

## For Cold-Formed Steel Construction

The FSB connector is the fixed-clip version of our popular SSB slide-clip strut connector. The FSB is commonly used at the bottom flange of a steel beam to accommodate large stand-off distances for bypass curtainwall studs.

**Material:** 54 mil (16 ga.)

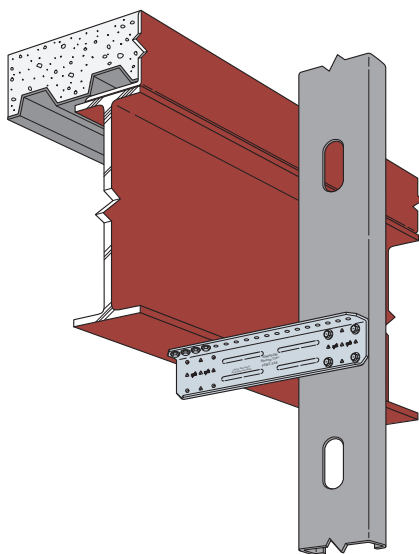
**Finish:** Galvanized (G90)

**Codes:** Testing performed in accordance with ICC-ES AC261. Visit [strongtie.com](http://strongtie.com) for the latest load values and testing information.

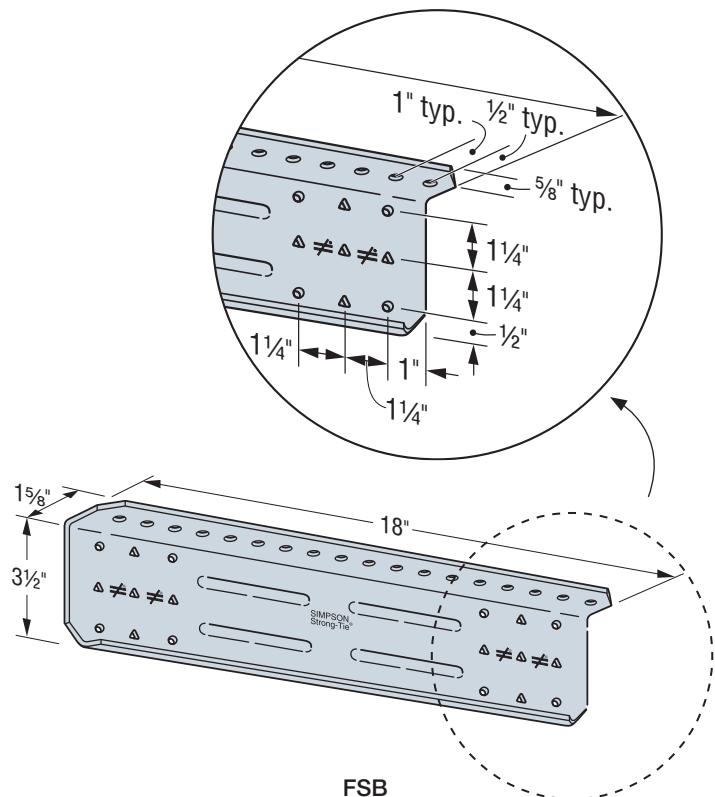
**Installation:**

- Use the specified type and number of anchors.
- Use the specified type and number of screw fasteners to the stud.
- If the FSB intrudes on interior space, it can be trimmed. The trimmed part shall allow an edge distance of 1/2" or greater from the center of the nearest anchor to the end of the trimmed part.

**Ordering Information:** FSB3.518-R25 is a box of 25 connectors.



Typical FSB3.518 Installation



FSB