

# FC Bypass Framing Fixed-Clip Connector

Ideal for high-seismic areas, Simpson Strong-Tie® FC connectors are the optimal solution for fixed-clip bypass framing. FC clips are often welded to the structure in high-seismic zones, but they also feature anchorage holes so that concrete screws or powder-actuated fasteners can be used to attach the clip to the structure. In addition to its anchorage versatility, the FC clip features prepunched screw holes for the framing attachment, eliminating the need for predrilling holes or worrying that fastener placement doesn't match the Designer specifications. FC connectors are manufactured using heavy-duty 10- and 12-gauge steel to provide exceptional resistance to in-plane seismic load.

## Features

- The clips come in lengths of 3½", 6" and 8" and are intended to be used with 3½", 6" and 8" studs, respectively
- The maximum stand-off distance is 1" for 3½" studs and 1½" for 6" and 8" studs
- Embossments in the bendline provide increased strength and stiffness in the F<sub>1</sub> and F<sub>2</sub> load directions, but are positioned towards the center of the clip so that 1½" long welds can be applied at the top and bottom of the clip
- Prepunched large-diameter anchor holes accommodate ¼"-diameter concrete screws like the Simpson Strong-Tie Titen HD® screw anchor
- Prepunched small-diameter anchor holes accommodate powder-actuated fasteners like the 0.157"-diameter Simpson Strong-Tie PDPAT or #12 self-drilling Simpson Strong-Tie Strong-Drive® XL Large-Head Metal screw



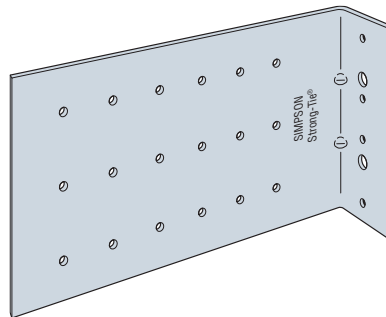
## Installation

- Use the specified type and number of fasteners and anchors

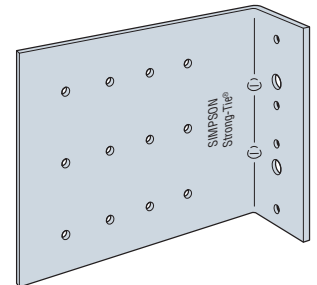
## Material and Finish

- 50 ksi, galvanized (G90)

**Codes:** Testing performed in accordance with ICC-ES AC261. Visit [strongtie.com](http://strongtie.com) for the latest load values and testing information.



**FC82-5/118**

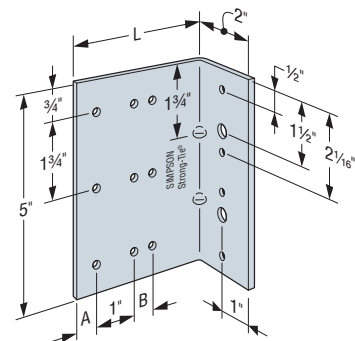


**FC62-5/97 (FC62-5/118 Similar)**

## Ordering Information and Dimensions

Model	Ordering SKU	Thickness mil (ga.)	L (in.)	A (in.)	B (in.)
FC32-5/97	FC32-5/97-KT25	97 (12)	3½	½	½
FC62-5/97	FC62-5/97-KT25	97 (12)	6	1	1
FC62-5/118	FC62-5/118-KT25	118 (10)	6	1	1
FC82-5/118	FC82-5/118-KT25	118 (10)	8	1	1

**Note:** Each box contains (25) connectors.



**FC32-5/97**