



Expanding Your Solutions

**Corporate Headquarters**  
13191 Crossroads Pkwy N., Ste 325  
City of Industry, CA 91746  
Phone: 800.775.2362  
Fax: 626.330.7598

**Manufacturing Facilities**  
City of Industry, CA  
Denver, CO  
Ft. Worth, TX  
Pittsburg, CA

**Structural Engineering/Design**  
1001-A Pittsburgh Antioch Hwy  
Pittsburg, CA 94565  
Phone: 800.775.2362  
Fax: 626.330.7598

**Technical Services**  
13191 Crossroads Pkwy N., Ste 325  
City of Industry, CA 91746  
Phone: 800.416.2278  
Fax: 626.249.5004

## FAS TRACK 1000

### Description

CEMCO FAS Track 1000 is a slotted deflection track that offers fire and air (smoke) protection, eliminating the need for fire and sound sealant. The section is fabricated from hot-dipped galvanized steel complying with ASTM A653, and ASTM A1003 Grade 33 Type H for 33 ksi yield strength steel for 20 gauge (33 mils) with a minimum G40 coating complying with ASTM A924, and 18 gauge (43 mils) with a minimum G60 coating complying with ASTM A924; and Grade 50 Type H for 50 ksi yield strength steel for 16 gauge (54 mils) with a minimum G60 coating complying with ASTM A924. CEMCO FAS Track 1000 has been tested with Underwritten Laboratories in accordance with UL 2079.

### U.S. Patent #8,640,415 B2

"A" Track Member Width (in.)	Flange Size (in.)	Length (ft.)	"G" Steel Thickness mil (gauge)
2-1/2, 3-5/8, 4	2-3/4	10	33, 43, 54 (20, 18, 16)
6, 8	2-3/4	10	33, 43, 54, 68 (20, 18, 16, 14)

### Color Code (painted on ends):

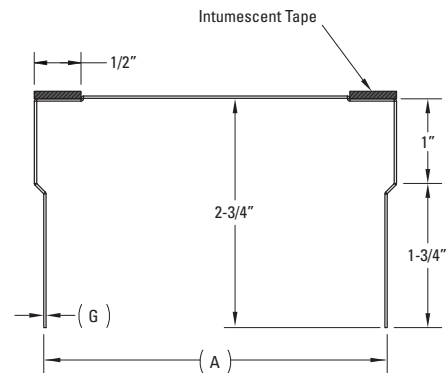
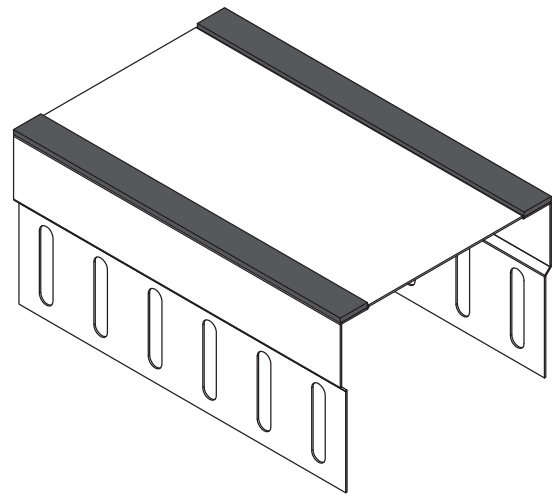
33-mil: White  
43-mil: Yellow  
54-mil: Green  
68-mil: Orange

### ASTM's & Code Standards

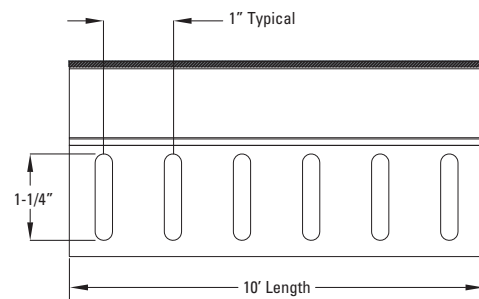
- ASTM A653/653M, A924/924M, A1003/1003M & C645
- ICC-ES ESR 2012
- IBC: 2012, 2015, 2018
- CBC: 2013, 2016
- AISI: S100-07, S100-12, S100-16, S220-11, S220-15
- ASTM E 1966: Standard Test Method of Fire Tests of Firestop Systems
- UL 2079 Tests For Fire Resistance of Building Joints
- ASTM E-119 Standard Test Methods for Fire Tests of Building Construction and Material
- Sound Tested in accordance with ASTM E90-09
- Air leakage tests conducted for compliance with Section 713.6 of IBC and CBC

### LEED v4 for Building and Design Construction

- MR Prerequisite: Construction and Demolition Waste Management Planning.
- MR Credit: Construction and Demolition Waste Management.
- MR Credit: Building Product Disclosure and Optimization – Sourcing of Raw Materials, Option 2.
- MR Credit: Building Product Disclosure and Optimization – Environmental Product Declarations, Options 1 & 2.
- MR Credit: Building Product Disclosure and Optimization – Material Ingredients, Option 1.
- MR Credit: Building Life-Cycle Impact Reduction, Option 4.



\*Also available with tape on one side only for double wall construction.



### CEMCO cold-formed steel framing products contain 30% to 37% recycled steel

- Total Recycled Content: 36.9%
- Post-Consumer: 19.8%
- Pre-Consumer: 14.4%



### Technical Services

Technical Services: 800.416.2278  
Structural Engineering/Design: 925.473.9340  
www.cemcosteel.com



This technical information reflects the most current information available and supersedes any and all previous publications effective December 20, 2018.

12-20-18 AT