



Expanding Your Solutions

800.775.2362 | www.cemcosteel.com

Structural Engineering/Design: 925.473.9340

Technical Services: 800.416.2278

FAS STRAP

Product Description

CEMCO FAS STRAP is an accessory preformed galvanized steel strap with 2 intumescent strips for use as a flute cover when fire-rated walls run parallel to the flutes. FAS Strap eliminates the need for mineral wool flute fillers and bridging for attachment of the top track to the underside of the deck. The FAS Strap is fabricated from hot-dipped galvanized steel. It is UL tested and listed and can be used as a component of 1 & 2 hour fire-resistant joint systems.



Ordering / Packaging

Description	Part #	Width*	Length	Pcs/Ctn	Submitted for Review/Use	✓
FAS STRAP (20 ga)	FASTP105033	10-1/2"	10'	Each**	FASTP105033	
FAS STRAP (18 ga)	FASTP105043	10-1/2"	10'	Each**	FASTP105043	
FAS STRAP (16 ga)	FASTP105054	10-1/2"	10'	Each**	FASTP105054	

* Custom widths available – contact CEMCO for details.

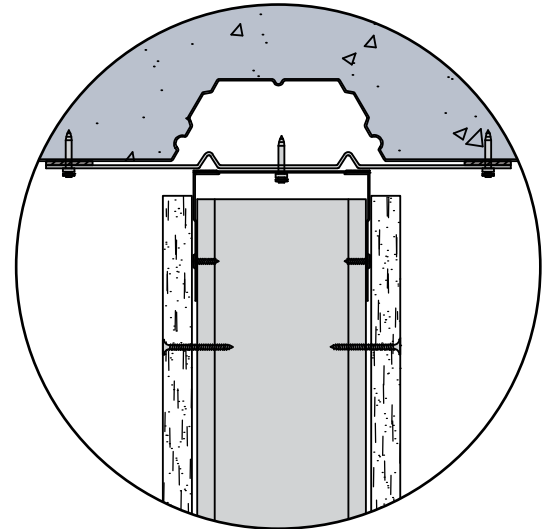
** Contact CEMCO for minimum order quantity.

Storage / Warranty

- When stored indoors and kept dry in the original package, FAS Strap will provide unlimited shelf life.
- Sustainable Building Life-Cycle Warranty – see CEMCO Firestop Product Warranty for details.

ASTM & Code Standards

- AISI S100
- AISI S220
- ASTM E-84
- ASTM E-119
- ASTM A653
- ASTM A924
- ASTM A1003
- ASTM C645
- ASTM E-1966
- UL 263
- UL 723
- UL 2079 5th Edition
- UL ER25033-01
- L-Rating (air leakage) testing for compliance with International Building Code (IBC) and Canadian Building Code (CBC).
- UL listings/approvals include: HW-D-0524; HW-D-0587
- U.S. Patent No.10,214,901**



CEMCO Cold-Formed Steel Framing Products

Contain 30% to 37% Recycled Steel

- Total Recycled Content: 36.9%
- Post-Consumer: 19.8%
- Pre-Consumer: 14.4%



Please refer to www.cemcosteel.com for [UL Fire Rated Assemblies](#) and [Sound Test Reports](#).



This technical information reflects the most current information available and supersedes any and all previous publications effective January 25, 2024.

01-25-24 AT



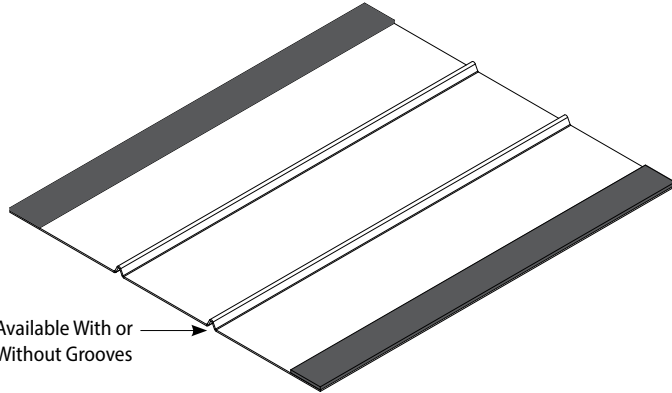
Expanding Your Solutions

800.775.2362 | www.cemcosteel.com

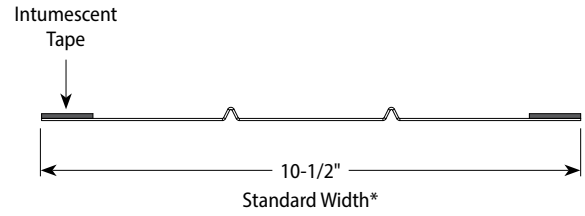
Structural Engineering/Design: 925.473.9340

Technical Services: 800.416.2278

FAS STRAP



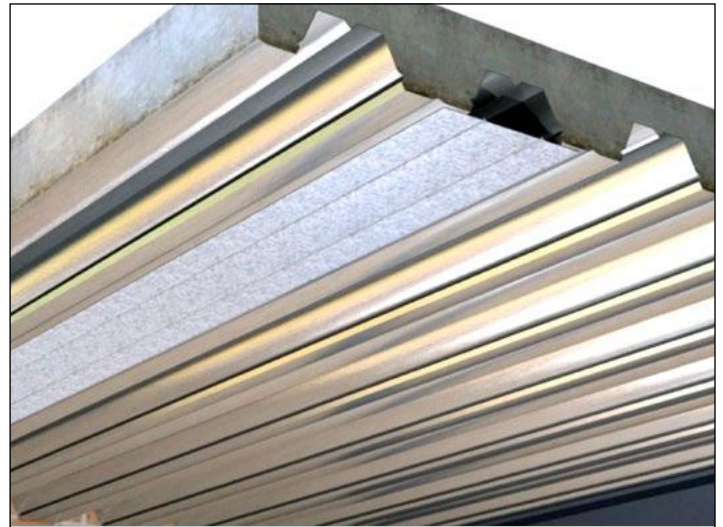
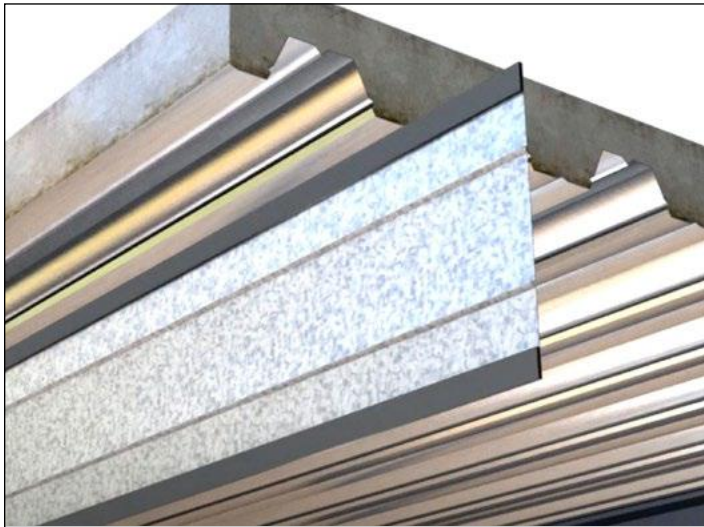
Available With or Without Grooves



* Custom widths available – contact CEMCO for details.



← View the installation video!



Please refer to www.cemcosteel.com for [UL Fire Rated Assemblies](#) and [Sound Test Reports](#).



This technical information reflects the most current information available and supersedes any and all previous publications effective January 25, 2024.

01-25-24 AT