



Expanding Your Solutions

**Corporate Headquarters**  
13191 Crossroads Pkwy N., Ste 325  
City of Industry, CA 91746  
Phone: 800.775.2362  
Fax: 626.330.7598

**Manufacturing Facilities**  
City of Industry, CA  
Denver, CO  
Ft. Worth, TX  
Pittsburg, CA

**Structural Engineering/Design**  
1001-A Pittsburgh Antioch Hwy  
Pittsburg, CA 94565  
Phone: 800.775.2362  
Fax: 626.330.7598

**Technical Services**  
13191 Crossroads Pkwy N., Ste 325  
City of Industry, CA 91746  
Phone: 800.416.2278  
Fax: 626.249.5004

## CEMCO FAS J-TRACK • 33 MIL THICKNESSES

### Geometric Properties

**CEMCO FAS J-TRACK** has longer legs than standard J-Runner to provide greater deflection at the head-of-wall joint. **FAS J-TRACK** provides 3/4" overall unencumbered movement providing the best possible L-Rating (smoke) for 1 and 2 hour fire ratings. **FAS J-TRACK** also eliminates the installation of fire caulking or additional drywall ribs. **FAS J-TRACK** is manufactured in 33 mil thick G40 hot-dipped galvanized steel. G60 and G90 are available only upon special request and will require extended lead-times.

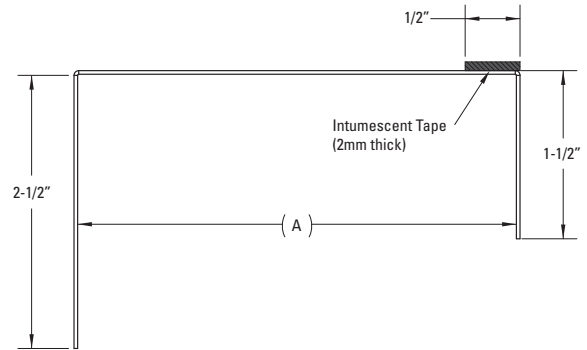
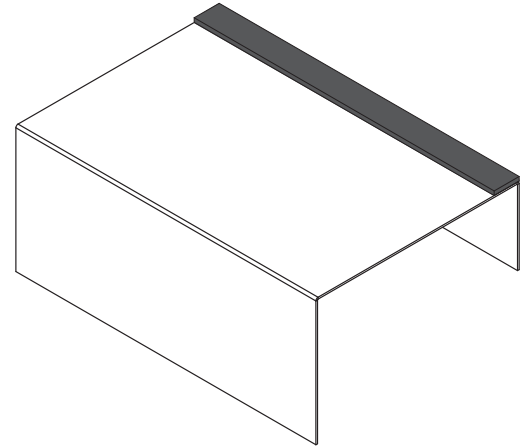
**U.S. Patent #8,640,415 B2**

### Steel Thickness

Thickness (mil.)	Design Thickness (in.) <sup>1</sup>	Minimum Thickness (in.) <sup>1,2</sup>	Yield (KSI)	Web Sizes (in.) (A)	Leg Sizes (in.)
33	0.0346	0.0329	33	2-1/2, 4, 6	1-1/2 & 2-1/2

**Notes:**

1. Uncoated steel thickness. Thickness is for carbon steel.
2. Minimum Thickness represents 95% of the design thickness and is the minimum acceptable thickness delivered to the job site, based on Section A4.3 of the AISI S100-2012.



### Color Code (painted on ends):

33-mil: White

### ASTM & Code Standards:

- ASTM A653/653M, A924/924M, A1003/1003M
- ASTM A1003, A653, A924, C645, C754
- ICC ESR-2012
- IBC: 2012, 2015, 2018
- CBC: 2013, 2016
- AISI: S100-07, S100-12, S100-16, S220-11, S220-15
- ASTM E 1966: Standard Test Method of Fire Tests of Firestop Systems
- **UL 2079 5th Edition** Tests For Fire Resistance of Building Joints
- ASTM E-119 Standard Test Methods for Fire Tests of Building Construction and Material
- Air leakage tests conducted for compliance with Section 713.6 of IBC and CBC

### LEED v4 for Building and Design Construction:

- MR Prerequisite: Construction and Demolition Waste Management Planning.
- MR Credit: Construction and Demolition Waste Management.
- MR Credit: Building Product Disclosure and Optimization – Sourcing of Raw Materials, Option 2.
- MR Credit: Building Product Disclosure and Optimization – Environmental Product Declarations, Options 1 & 2.
- MR Credit: Building Product Disclosure and Optimization – Material Ingredients, Option 1.
- MR Credit: Building Life-Cycle Impact Reduction, Option 4.

### CEMCO cold-formed steel framing products contain 30% to 37% recycled steel:

- Total Recycled Content: 36.9%
- Post-Consumer: 19.8%
- Pre-Consumer: 14.4%

### Technical Services

Technical Services: 800.416.2278  
Structural Engineering/Design: 925.473.9340  
www.cemcosteel.com



This technical information reflects the most current information available and supersedes any and all previous publications effective February 05, 2020.

02-05-20 AT