



Expanding Your Solutions

Corporate Headquarters
13191 Crossroads Pkwy N., Ste 325
City of Industry, CA 91746
Phone: 800.775.2362
Fax: 626.330.7598

Manufacturing Facilities
City of Industry, CA
Denver, CO
Ft. Worth, TX
Pittsburg, CA

Structural Engineering/Design
1001-A Pittsburgh Antioch Hwy
Pittsburg, CA 94565
Phone: 800.775.2362
Fax: 626.330.7598

Technical Services
13191 Crossroads Pkwy N., Ste 325
City of Industry, CA 91746
Phone: 800.416.2278
Fax: 626.249.5004

1400SSCJ200-97 PUNCHED SURE-SPAN™ C-JOIST 14" DEPTH

Geometric Properties

1400SSCJ200-97 Sure-Span™ floor joist is manufactured with a 2" flange, in 97 mil thickness. All SSCJ joists are available with the large punch-outs at 48" on-center, with the first punch-out 18" from one end. All CEMCO SSCJ load bearing floor joists are produced from hot-dipped galvanized steel in standard CP60 coating. CP90 is available upon special request.

Steel Thickness

| Mil Thickness | Design Thickness (in.) ¹ | Minimum Thickness (in.) ^{1,2} | Color Code (painted on ends) |
|---------------|-------------------------------------|--|------------------------------|
| 97 | 0.1017" (2.58 mm) | 0.0966" (2.45 mm) | Red |

1. Uncoated Steel Thickness. Thickness is for carbon sheet steel.
2. Minimum Thickness represents 95% of the design thickness and is the minimum acceptable thickness delivered to the job site, based on AISI S100.

ASTM's & Code Standards

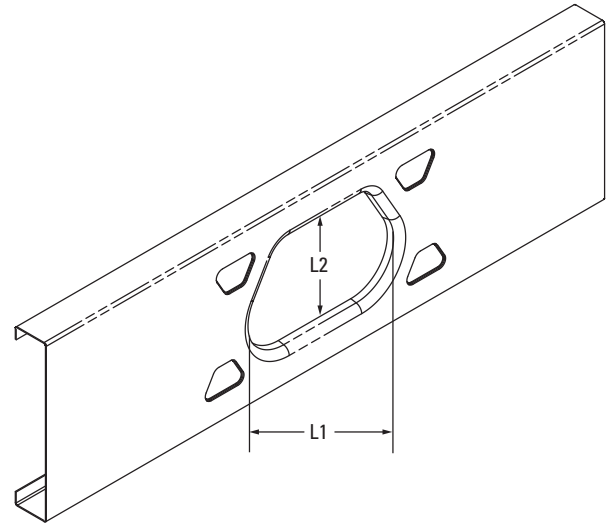
- ASTM A653/A653M, A924/A924M, & A1003/A1003M, C955, C1007
- UL Classified and UL Certified (UL FUS)
- UL G556, G557, G559, G560, G565, G574, G580, G588, G595, H503, H508, P546, P561, P562
- IBC: 2012, 2015, 2018, 2021
- CBC: 2013, 2016, 2019
- AISI: S100, S200, S240

LEED v4 for Building and Design Construction

- MR Prerequisite: Construction and Demolition Waste Management Planning.
- MR Credit: Construction and Demolition Waste Management.
- MR Credit: Building Product Disclosure and Optimization – Sourcing of Raw Materials, Option 2.
- MR Credit: Building Product Disclosure and Optimization – Environmental Product Declarations, Options 1 & 2.
- MR Credit: Building Product Disclosure and Optimization – Material Ingredients, Option 1.
- MR Credit: Building Life-Cycle Impact Reduction, Option 4.

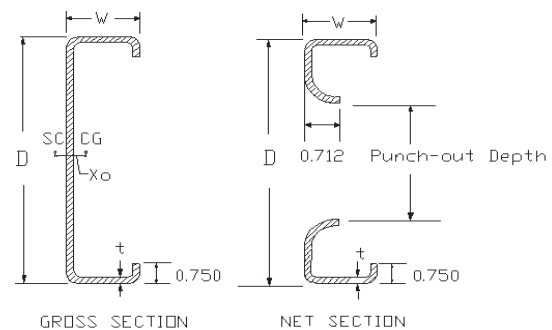
CEMCO cold-formed steel framing products contain 30% to 37% recycled steel.

- Total Recycled Content: 36.9%
- Post-Consumer: 19.8%
- Pre-Consumer: 14.4%



Punch-Out Dimensions

| Section | L1 (in.) | L2 (in.) | Spacing Between Punch-Outs (in.) |
|----------------|----------|----------|----------------------------------|
| 1400SSCJ200-97 | 11-1/16 | 10 | 48 |



1400SSCJ200-97 Structural Properties & Load Capacities

| Dimensions | | | Gross Section Properties | | | | | | | | Torsional Properties | | | | | Net Section Properties | | Capacities | |
|------------|-------|--------|--------------------------|-------------------------|-----------------------------------|-----------------------------------|-----------------------------------|-----------------------------------|---------------------|---------------------|----------------------|---------------------------------------|-----------------------------------|---------------------|-------|-----------------------------------|------------------------------------|-------------------------|----------------------|
| w (in) | Gauge | t (in) | Weight (plf) | Area (in ²) | I _x (in ⁴) | I _y (in ⁴) | S _x (in ³) | S _y (in ³) | R _x (in) | R _y (in) | X _o (in) | J _{x1000} (in ⁴) | C _w (in ⁶) | R _o (in) | β | A _n (in ²) | I _{xn} (in ⁴) | M _{all} (k-in) | V _{all} (k) |
| 2.00 | 12 | 0.1017 | 6.481 | 1.906 | 45.872 | 0.721 | 6.553 | 0.442 | 4.905 | 0.615 | -0.948 | 6.572 | 28.014 | 5.034 | 0.965 | 0.893 | 37.758 | 138.310 | 5.487 |

Notes:

1. The yield strength, F_y, is 33 ksi for 18 gauge and 50 ksi for 16, 14, and 12 gauge material.
2. Tabulated weight values are based on full section geometry.
3. Punch-out Depth = 4.25" (web depth 7.25", 8" and 9.25"), 6.25" (web depth 10" and 11.25"), 8" (web depth 12"), 10" (web depth 14")
4. For Allowable Stress Design (ASD) method, use a factor of safety of 1.95 for both moment and shear capacities. This factor of safety is obtained from a joist test program as per AISI 2012, Chapter F.
5. Allowable moment, M_{all}, and shear, V_{all}, capacities for joists are obtained by applying factors of safety to the least nominal capacities (between full and net section capacities).

Technical Services

Technical Services: 800.416.2278
Structural Engineering/Design: 925.473.9340
www.cemcosteel.com



This technical information reflects the most current information available and supersedes any and all previous publications effective April 06, 2022.

04-06-22 AT