



Expanding Your Solutions

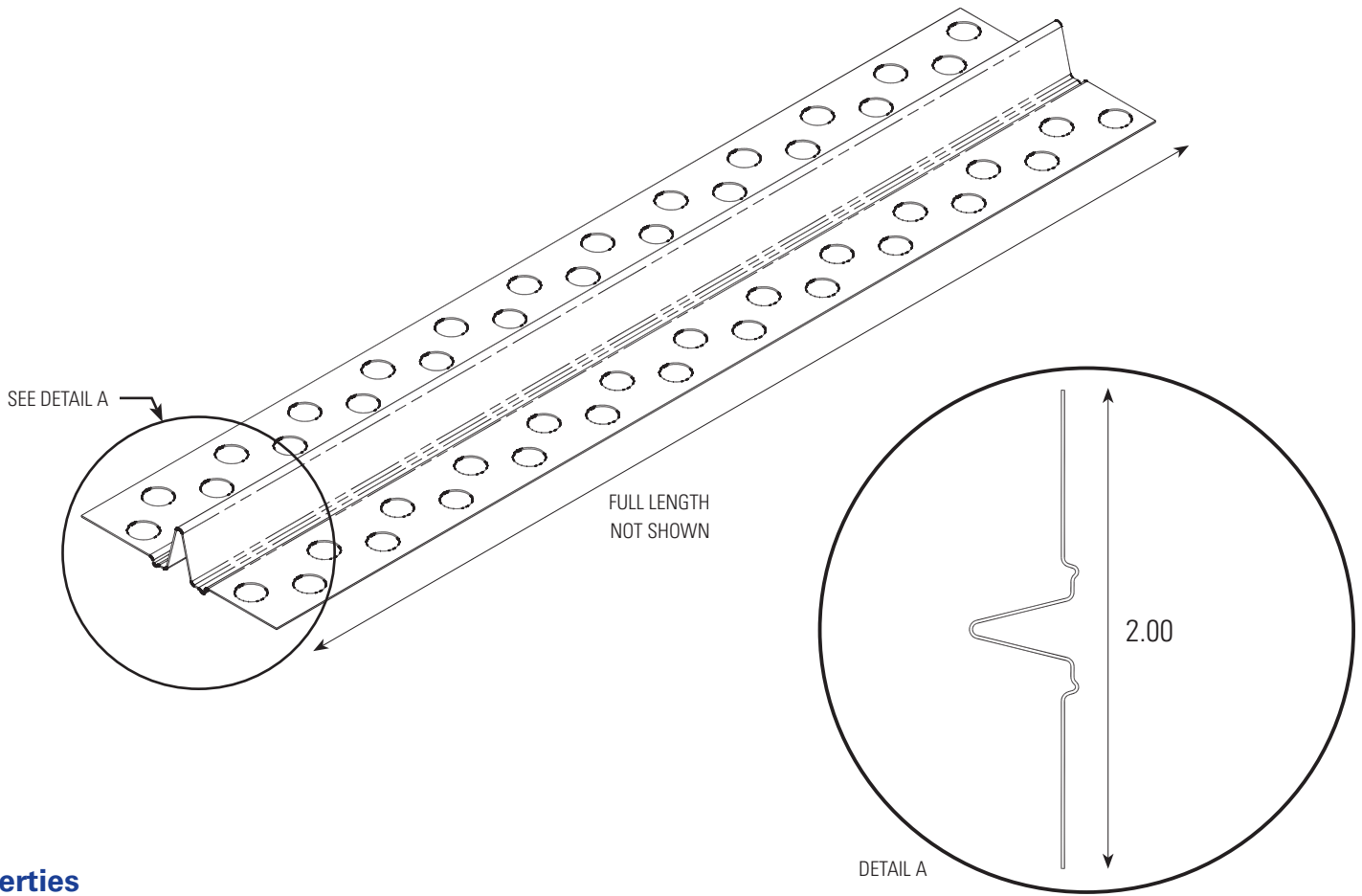
**Corporate Headquarters**  
13191 Crossroads Pkwy N., Ste 325  
City of Industry, CA 91746  
Phone: 800.775.2362  
Fax: 626.330.7598

**Manufacturing Facilities**  
City of Industry, CA  
Denver, CO  
Ft. Worth, TX  
Pittsburg, CA

**Structural Engineering/Design**  
1001-A Pittsburgh Antioch Hwy  
Pittsburg, CA 94565  
Phone: 800.775.2362  
Fax: 626.330.7598

**Technical Services**  
13191 Crossroads Pkwy N., Ste 325  
City of Industry, CA 91746  
Phone: 800.416.2278  
Fax: 626.249.5004

## 093 ZINC CONTROL JOINT



### Properties

CEMCO's 093 true-zinc control joint is perfect for interior high-end plaster applications, allowing for controlled expansion of the ceiling or wall finish. Made from high quality 26 ga. zinc, and formed to exacting tolerances, the pull tape on the joint protect the expansion trough to provide for crisp and clean finishes in both plaster and veneer finishes. CEMCO's 093 control joint is manufactured by Niles Corporation and distributed by CEMCO.

### Packaging

| Length | Pieces / Carton | Feet / Carton | Weight / Carton | Carton / Pallet |
|--------|-----------------|---------------|-----------------|-----------------|
| 10'    | 25              | 250           | 27 lbs.         | 20              |

### ASTM & Code Standards:

- ASTM C840
- ASTM C1047
- ASTM C1063
- ASTM B69
- IBC: 2012, 2015, 2018
- CBC: 2013, 2016
- AISI: S100-07, S100-12, S100-16, S220-11, S220-15

### LEED v4 for Building and Design Construction

- MR Prerequisite: Construction and Demolition Waste Management Planning.
- MR Credit: Construction and Demolition Waste Management.
- MR Credit: Building Product Disclosure and Optimization – Sourcing of Raw Materials, Option 2.
- MR Credit: Building Product Disclosure and Optimization – Environmental Product Declarations, Options 1 & 2.
- MR Credit: Building Product Disclosure and Optimization – Material Ingredients, Option 1.
- MR Credit: Building Life-Cycle Impact Reduction, Option 4.

### CEMCO cold-formed steel framing products contain 30% to 37% recycled steel.

- Total Recycled Content: 36.9%
- Post-Consumer: 19.8%
- Pre-Consumer: 14.4%

### Technical Services

Technical Services: 800.416.2278  
Structural Engineering/Design: 925.473.9340  
www.cemcosteel.com



This technical information reflects the most current information available and supersedes any and all previous publications effective November 17, 2023.

11-17-23 AT