



Expanding Your Solutions

**Corporate Headquarters**  
 13191 Crossroads Pkwy N., Ste 325  
 City of Industry, CA 91746  
 Phone: 800.775.2362  
 Fax: 626.330.7598

**Manufacturing Facilities**  
 City of Industry, CA  
 Denver, CO  
 Ft. Worth, TX  
 Pittsburg, CA

**Structural Engineering/Design**  
 1001-A Pittsburgh Antioch Hwy  
 Pittsburg, CA 94565  
 Phone: 800.775.2362  
 Fax: 626.330.7598

**Technical Services**  
 13191 Crossroads Pkwy N., Ste 325  
 City of Industry, CA 91746  
 Phone: 800.416.2278  
 Fax: 626.249.5004

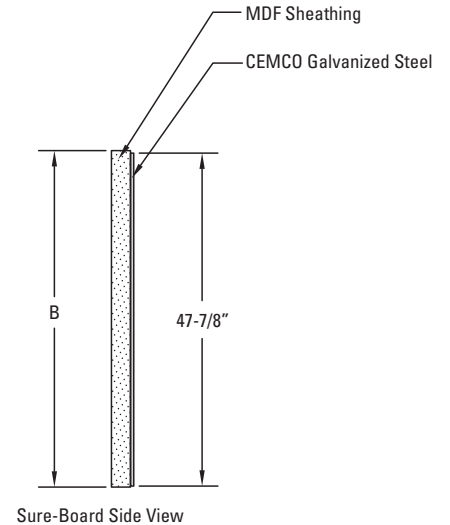
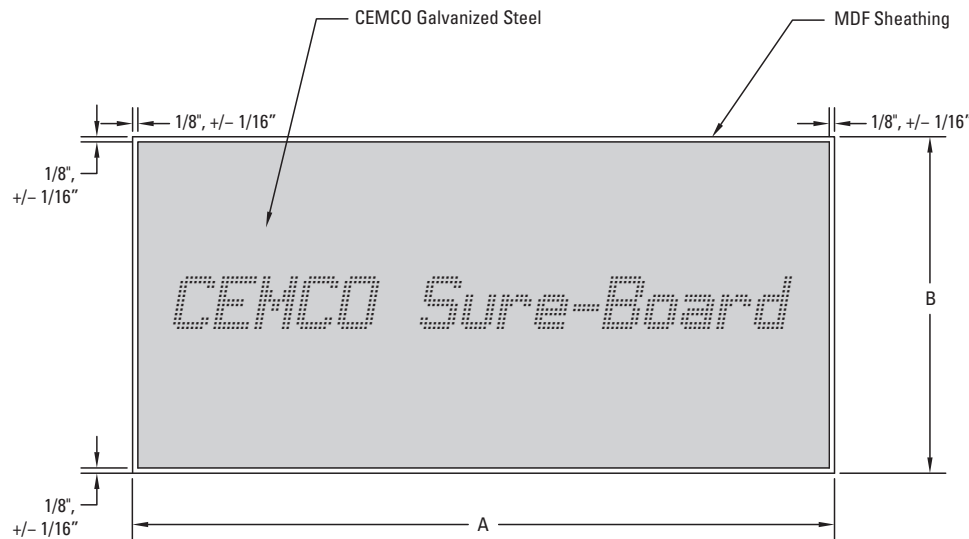
## SURE-BOARD SERIES 200W

### Geometric Properties

**Sure-Board®W** for Steel framing and Series 200W for Wood Framing are a steel sheet and medium density fiber board composite product that is installed on steel or wood framed shear walls at points requiring shear.

### Steel Thickness

Length A (ft.)	Width B (ft.)	Sheathing Thickness (in.)	Steel Thickness Gauge (mil.)
8, 9, & 10	48	1/8	22 (27)



### ASTM & Code Standards:

- ASTM A653/653M, A924/924M & A1003/1003M (Steel)
- ASTM C1325 (Cement Board)
- IBC 2024
- IRC 2024
- CBC 2025
- IAPMO ER-126.
- DSA Approved IR A-5

### CEMCO cold-formed steel framing products recycled steel:

- Total Recycled Content: 36.9%
- Post-Consumer: 19.8%
- Pre-Consumer: 14.4%

### LEED v4 for Building and Design Construction:

- MR Prerequisite: Construction and Demolition Waste Management Planning.
- MR Credit: Construction and Demolition Waste Management.
- MR Credit: Building Product Disclosure and Optimization – Sourcing of Raw Materials, Option 2.
- MR Credit: Building Product Disclosure and Optimization – Environmental Product Declarations, Options 1 & 2.
- MR Credit: Building Product Disclosure and Optimization – Material Ingredients, Option 1.
- MR Credit: Building Life-Cycle Impact Reduction, Option 4.

### Technical Services

Technical Services: 800.416.2278  
 Structural Engineering/Design: 925.473.9340  
 www.cemcosteel.com



This technical information reflects the most current information available and supersedes any and all previous publications effective April 06, 2023.

04-06-23 AT