



Expanding Your Solutions

Corporate Headquarters
13191 Crossroads Pkwy N., Ste 325
City of Industry, CA 91746
Phone: 800.775.2362
Fax: 626.330.7598

Manufacturing Facilities
City of Industry, CA
Denver, CO
Ft. Worth, TX
Pittsburg, CA

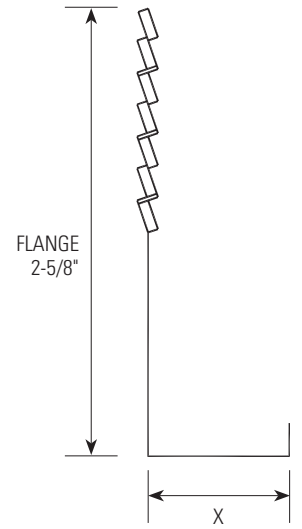
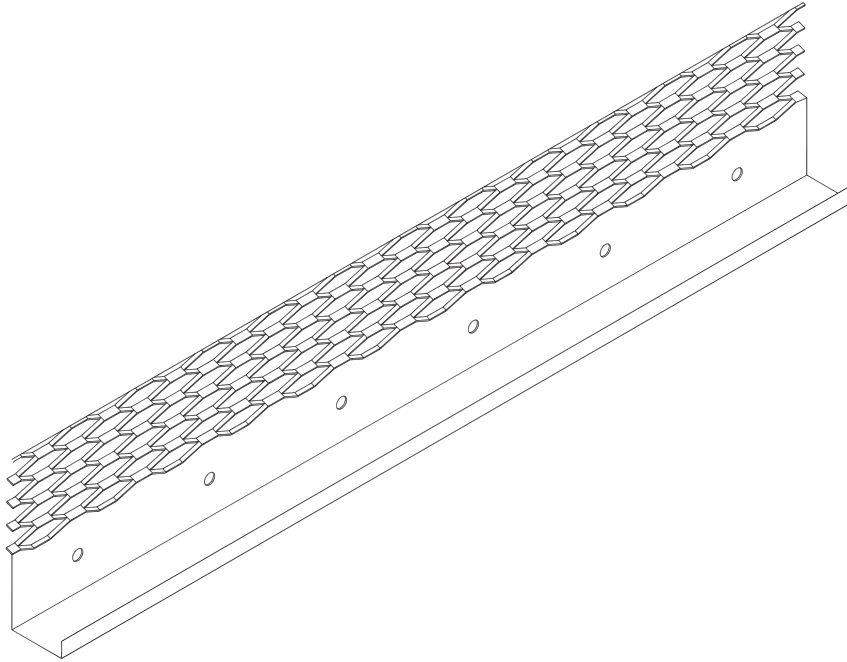
Structural Engineering/Design
1001-A Pittsburgh Antioch Hwy
Pittsburg, CA 94565
Phone: 800.775.2362
Fax: 626.330.7598

Technical Services
13191 Crossroads Pkwy N., Ste 325
City of Industry, CA 91746
Phone: 800.416.2278
Fax: 626.249.5004

#66 EXPANDED-FLANGE CASING BEAD

Properties

CEMCO's #66 Expanded-Flange Casing Bead formed to a 90° for applications at corners, plastered finish edges and corners or when adjoining dissimilar material. Absorbs movement due to expansion and contraction of plastered walls. Provided with an expanded-flange for proper keying and easy application. No.66 Expanded-Flange Casing Bead is fabricated from 26 Gauge galvanized steel in standard G60. G90 coating is available upon request. Also available with weep holes upon request.



Packaging

Size (X)	Pcs. / Ctn.	Length	Ft. / Ctn.	Wt. / Ctn.	Ctn. / Pallet
1/4"	30	10'	300	42 lbs.	40
3/8"	30	10'	300	48 lbs.	40
1/2"	30	10'	300	55 lbs.	40
3/4"	30	10'	300	58 lbs.	40
7/8"	30	10'	300	62 lbs.	40
1"	30	10'	300	64 lbs.	40
1-1/4"	30	10'	300	68 lbs.	40

LEED v4 for Building and Design Construction

- MR Prerequisite: Construction and Demolition Waste Management Planning.
- MR Credit: Construction and Demolition Waste Management.
- MR Credit: Building Product Disclosure and Optimization – Sourcing of Raw Materials, Option 2.
- MR Credit: Building Product Disclosure and Optimization – Environmental Product Declarations, Options 1 & 2.
- MR Credit: Building Product Disclosure and Optimization – Material Ingredients, Option 1.
- MR Credit: Building Life-Cycle Impact Reduction, Option 4.

CEMCO cold-formed steel framing products contain 30% to 37% recycled steel.

- Total Recycled Content: 36.9%
- Post-Consumer: 19.8%
- Pre-Consumer: 14.4%

ASTM & Code Standards:

- ASTM A653
- ASTM A924
- ASTM C840
- ASTM C1047
- ASTM C1063
- IBC: 2012, 2015, 2018
- CBC: 2013, 2016
- AISI: S100, S220

Technical Services

Technical Services: 800.416.2278
Structural Engineering/Design: 925.473.9340
www.cemcosteel.com



This technical information reflects the most current information available and supersedes any and all previous publications effective March 9, 2024.

03-19-24 AT