



Expanding Your Solutions

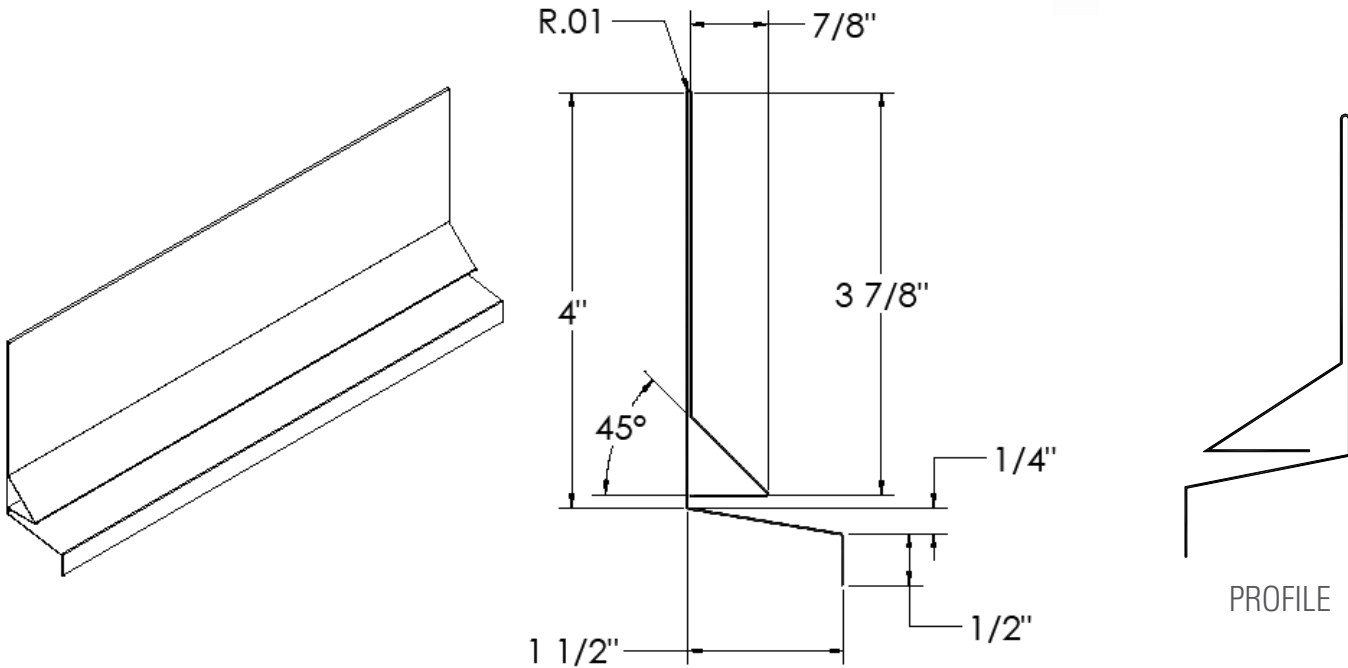
**Corporate Headquarters**  
 13191 Crossroads Pkwy N., Ste 325  
 City of Industry, CA 91746  
 Phone: 800.775.2362  
 Fax: 626.330.7598

**Manufacturing Facilities**  
 City of Industry, CA  
 Denver, CO  
 Ft. Worth, TX  
 Pittsburg, CA

**Structural Engineering/Design**  
 1001-A Pittsburg Antioch Hwy  
 Pittsburg, CA 94565  
 Phone: 800.775.2362  
 Fax: 626.330.7598

**Technical Services**  
 13191 Crossroads Pkwy N., Ste 325  
 City of Industry, CA 91746  
 Phone: 800.416.2278  
 Fax: 626.249.5004

## #3 FLASHING SCREED SPECIFICATION



The **#3 FLASHING SCREED** is manufactured for applications above windows, doors and vents on exterior plaster walls. The #3 Flashing Screed consists of a combined single piece 45° weep screed, for drainage, and a Z flashing for window head protection. Available with or without weep holes.

The #3 Flashing Screed is part of CEMCO's Water Management Product Line of Stucco Accessories fabricated from minimum 0.018-inch thick hot-dipped galvanized steel complying with ASTM A653 having a minimum G-90 coating complying with ASTM A925.

Size	Pcs./Bundle	Length	Ft./Bundle	Wt./Bundle	Pcs./Pallet
7/8" (0.875")	10	10'	100	69 lbs.	250

### Technical Services

Technical Services: 800.416.2278  
 Structural Engineering/Design: 925.473.9340  
[www.cemcosteel.com](http://www.cemcosteel.com)



This technical information reflects the most current information available and supersedes any and all previous publications effective September 27, 2021.  
 09-27-21 AT