



Expanding Your Solutions

800.775.2362 | www.cemcosteel.com

Structural Engineering/Design: 925.473.9340

Technical Services: 800.416.2278

## HOTROD® XL

### Product Description

**CEMCO HOTROD XL** is a surface mounted fire-rated deflection bead tested to UL 2079. It provides 1 & 2 hour firestop solutions in joints for both standard wall and shaft wall types between flat concrete or fluted metal deck applications.



- ♥ Tested with up to 80% compression and 30% extension.
- ♥ Combines compressible foam, a vinyl concealment leg along and intumescent strip to provide an aesthetically pleasing joint.
- ♥ Provides one and two hour fire ratings from the same profile.
- ♥ Provides a single step installation of both a code compliant firestop and finished drywall accessory in one piece.
- ♥ Pink perforated mud leg for ease of inspection.
- ♥ Installs on the face of the drywall with a perforated mud leg incorporated to accept joint compound.
- ♥ Can be used with CEMCO Spray-less Flute Clips to eliminate need for additional firestop sealant or spray.
- ♥ Easily installs using staples with spray adhesive optional.
- ♥ Installs fully cured and is paintable.
- ♥ Does not have temperature or humidity limits for installation.
- ♥ Provides Sound Transmission Classification (STC) ratings up to 68.

### Ordering / Packaging

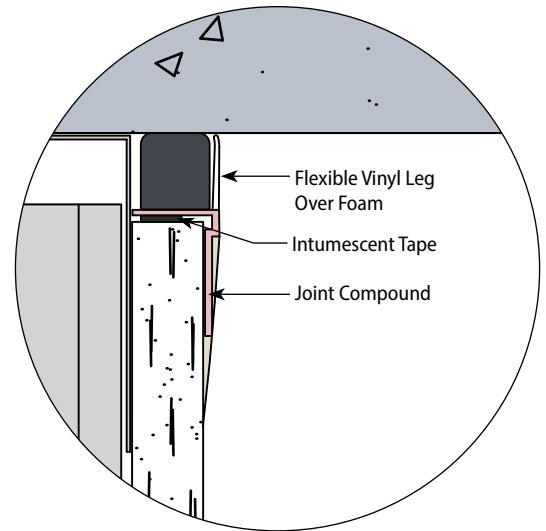
Description	Part #	Size	Length	Pcs/Ctn	Submitted for Review/Use	✓
HOTROD XL	HOTRODXL	1/2" x 3/4"	10'	10	HOTROD XL	

### Storage / Warranty

- ♥ When stored indoors and kept dry in its original package and condition, HOTROD XL has an unlimited shelf life.
- ♥ 25 Year Limited Warranty – see CEMCO Standard Fire, Smoke & Acoustic Product Warranty for details.

### ASTM & Code Standards

- ♥ ASTM E84
- ♥ ASTM E90
- ♥ ASTM E1966
- ♥ UL 2079 5th Edition
- ♥ UL ER25033-01
- ♥ L-Rating (air leakage) testing for compliance with International Building Code (IBC) and Canadian Building Code (CBC).
- ♥ UL listings/approvals include: BW-S-0024; HW-D-0550; HW-D-0554; HW-D-0621; HW-D-0624; HW-D-0625; HW-S-0128; WW-S-0057; WW-S-0094
- ♥ **U.S. Patent No. 9,683,364; 10,184,246; and 10,914,065**



Please refer to [www.cemcosteel.com](http://www.cemcosteel.com) for [UL Fire Rated Assemblies](#) and [Sound Test Reports](#).



This technical information reflects the most current information available and supersedes any and all previous publications effective February 11, 2025.

02-11-25 AT



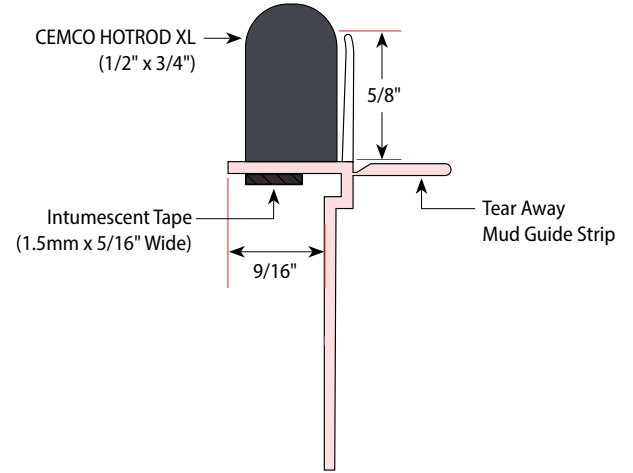
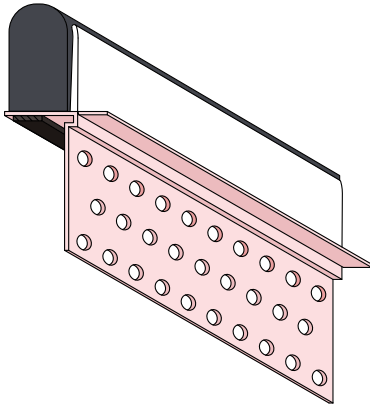
Expanding Your Solutions

800.775.2362 | www.cemcosteel.com

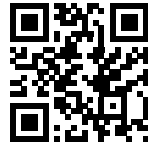
Structural Engineering/Design: 925.473.9340

Technical Services: 800.416.2278

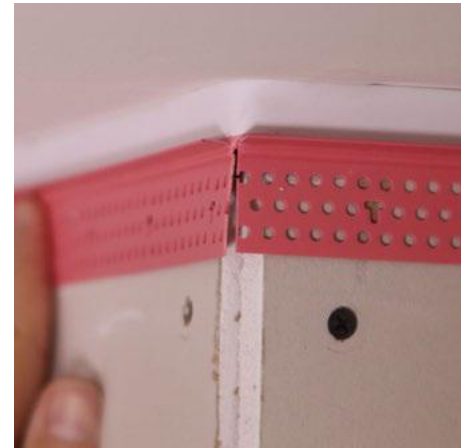
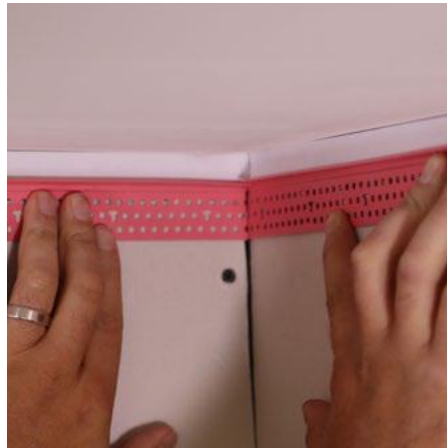
# HOTROD® XL



← View the installation video!



← View the installation guide!



Please refer to [www.cemcosteel.com](http://www.cemcosteel.com) for [UL Fire Rated Assemblies](#) and [Sound Test Reports](#).



This technical information reflects the most current information available and supersedes any and all previous publications effective February 11, 2025.

02-11-25 AT