



Expanding Your Solutions

800.775.2362 | www.cemcosteel.com

Structural Engineering/Design: 925.473.9340

Technical Services: 800.416.2278

HOTROD® TYPE-X COMPRESSIBLE FIRESTOP

Product Description

CEMCO HOTROD TYPE-X is a compressible intumescent fire-rated deflection bead tested to UL 2079. It provides 1 & 2 hour joint firestop solutions in joints both standard wall and shaft wall types between flat concrete or fluted metal deck applications.



- Tested with up to 80% compression and 33% extension.
- Installed at fluted deck does not require use of additional firestop sealant or spray over mineral wool flute fillers.
- Has a rectangular profile and is easily installed by compressing it into the gap between the drywall and surrounding structure.
- Red in color for easy identification during inspection process.
- Non-hygroscopic therefore it will not absorb water.
- Provides BOTH fire and sound ratings and over time it does not shrink, harden, or separate from surrounding substrate.
- Can be installed and left exposed or covered with tape and joint compound in exposed applications.
- Optional double-sided tape for easy installation to the track or stud flange.
- Provides Sound Transmission Classification (STC) ratings up to 68.

Ordering / Packaging

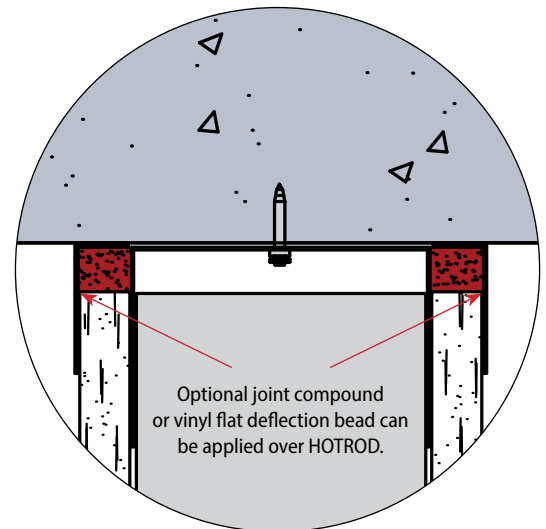
Description	Part #	Size	Length	Pcs/Ctn	Submitted for Review/Use	✓
HOTROD TYPE-X (w Double-Sided Tape)	HOTRODX121DS	1/2" x 1"	40'	5	HOTRODX121DS	
HOTROD TYPE-X (w/o Double-Sided Tape)	HOTRODX121	1/2" x 1"	40'	5	HOTRODX121	
HOTROD TYPE-X (w Double-Sided Tape)	HOTRODX11DS	1" x 1"	20'	4	HOTRODX11DS	
HOTROD TYPE-X (w/o Double-Sided Tape)	HOTRODX11	1" x 1"	20'	4	HOTRODX11	

Storage / Warranty

- When stored indoors and kept dry in its original package and condition, HOTROD TYPE-X has an unlimited shelf life.
- 25 Year Limited Warranty – see CEMCO Standard Fire, Smoke & Acoustic Product Warranty for details.

ASTM & Code Standards

- ASTM E84
- ASTM E90
- ASTM E1966
- UL 2079 5th Edition
- Cal State Fire (BML) 1451-2376:0003
- UL ER25033-01
- L-Rating (air leakage) testing for compliance with International Building Code (IBC) and Canadian Building Code (CBC).
- UL listings/approvals include: BW-S-0024, HW-D-0514, HW-D-0518, HW-D-0524, HW-D-0525, HW-D-0550, HW-D-0551, HW-D-0553, HW-D-0554, HW-D-0573, HW-D-0620, HW-D-0624, HW-D-0625, HW-D-0652, HW-S-0128, WW-D-0104, WW-S-0057, WW-S-0094
- U.S. Patent No. 9,683,364; 10,184,246; 11,060,283; and 12,454,824**



Please refer to www.cemcosteel.com for [UL Fire Rated Assemblies](#) and [Sound Test Reports](#).



This technical information reflects the most current information available and supersedes any and all previous publications effective December 30, 2025.

12-30-25 AT



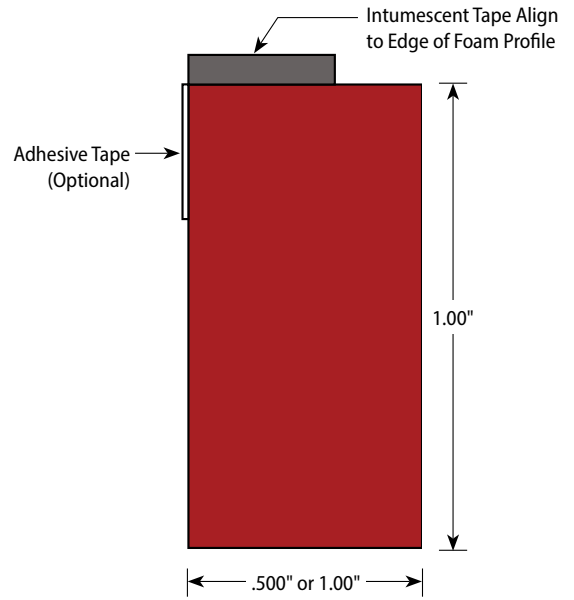
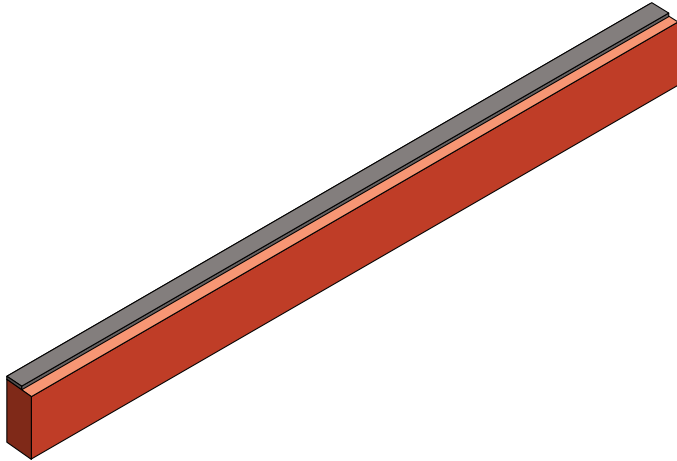
Expanding Your Solutions

800.775.2362 | www.cemcosteel.com

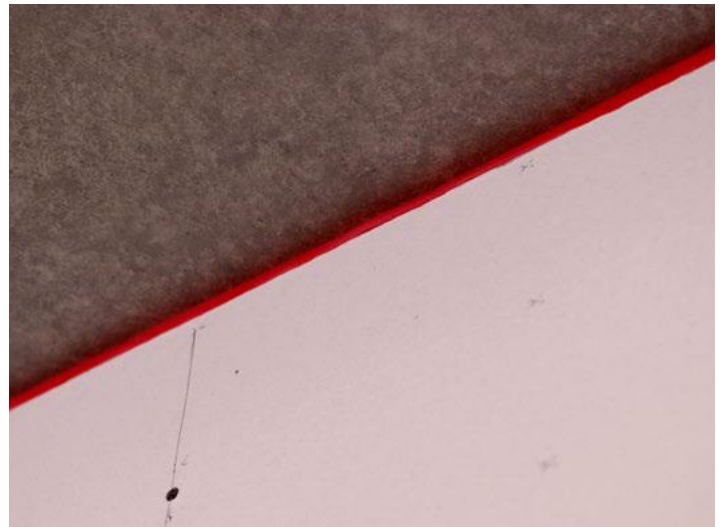
Structural Engineering/Design: 925.473.9340

Technical Services: 800.416.2278

HOTROD® TYPE-X COMPRESSIBLE FIRESTOP



← View the installation video!



Please refer to www.cemcosteel.com for [UL Fire Rated Assemblies](#) and [Sound Test Reports](#).



This technical information reflects the most current information available and supersedes any and all previous publications effective December 30, 2025.

12-30-25 AT