



Expanding Your Solutions

Corporate Headquarters
13191 Crossroads Parkway North, Suite 325
City of Industry, CA 91746
Phone: 800.775.2362
Fax: 626.330.7598

Manufacturing Facilities
City of Industry, CA
Denver, CO
Ft. Worth, TX
Pittsburg, CA

Structural Engineering/Design
1001-A Pittsburgh Antioch Hwy
Pittsburg, CA 94565
Phone: 800.775.2362
Fax: 626.330.7598

Technical Services
263 North Covina Lane
City of Industry, CA 91744
Phone: 800.416.2278
Fax: 626.249.5005

CEMCO TAB TRACK • 33 MIL

Geometric Properties

CEMCO TAB TRACK provides a non mechanical (screwless) stud-to-track attachment for metal stud wall framing. A series of 1" long tabs are evenly spaced across the track's legs providing flexibility to regular and irregular layout. Once the studs are nested within the **TAB TRACK** the tabs may be pushed inward on either side of the stud to prohibit lateral movement while maintaining vertical deflection. Available in 33 mil thicknesses, tab track is manufactured from G40 hot-dipped galvanized steel. G60 and G90 are available only upon special request and will require extended lead-times.

Steel Thickness

Thickness (mil.)	Design Thickness (in.) ¹ (G)	Minimum Thickness (in.) ^{1,2} (G)	Yield (KSI)	Web Sizes (in.) (B)	Leg Size (in.)
33	0.0346	0.0329	33	2-1/2, 3-5/8, 4, 6	2-1/2

Notes:

1. Uncoated Steel Thickness. Thickness is for carbon sheet steel.
2. Minimum Thickness represents 95% of the design thickness and is the minimum acceptable thickness delivered to the job site, based on Section A4.3 of the 2012 AISI.

Color Code (painted on ends):

33-mil: White

ASTM & Code Standards:

- A1003, A653, A924, C645, C754
- 2012/2015 IBC
- 2010/2013 CBC
- 2012 AISI
- U.S. Patent 9,551,148

LEED v3 for Building and Design Construction

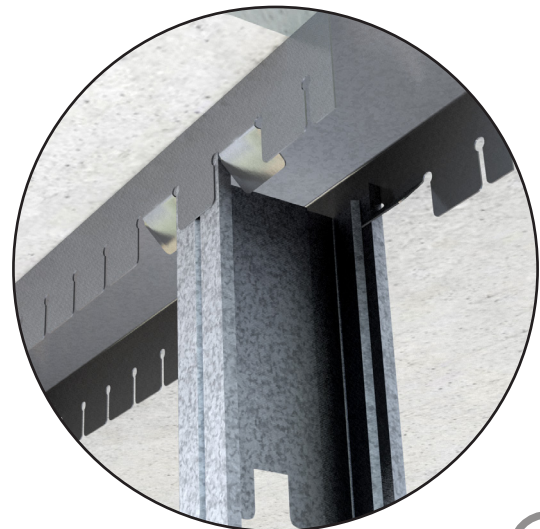
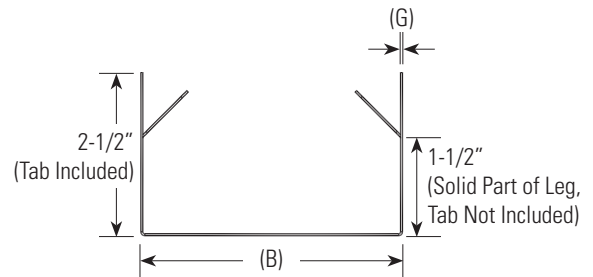
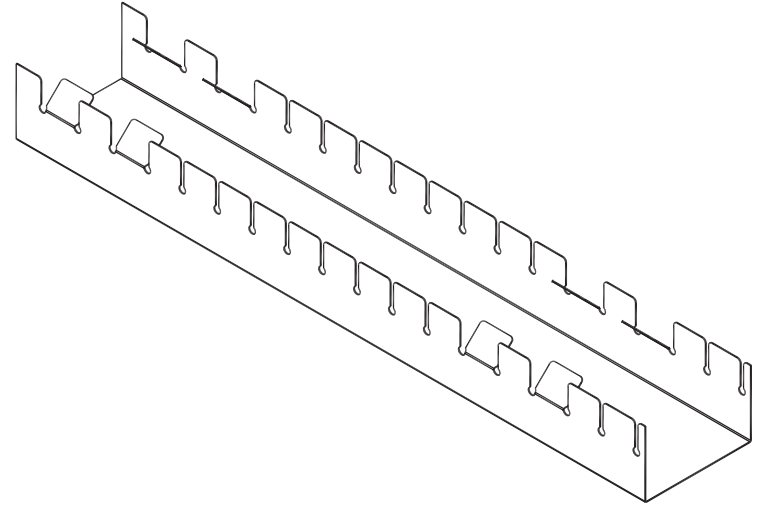
- MR Credit 2: Construction Waste Management.
- MR Credit 4: Recycled Content.

LEED v4 for Building and Design Construction

- MR Prerequisite: Construction and Demolition Waste Management Planning.
- MR Credit: Construction and Demolition Waste Management.
- MR Credit: Building Product Disclosure and Optimization – Sourcing of Raw Materials, Option 2.
- MR Credit: Building Product Disclosure and Optimization – Environmental Product Declarations, Options 1 & 2.
- MR Credit: Building Product Disclosure and Optimization – Material Ingredients, Option 1.
- MR Credit: Building Life-Cycle Impact Reduction, Option 4.

CEMCO cold-formed steel framing products contain 30% to 37% recycled steel.

- Total Recycled Content: 36.9%
- Post-Consumer: 19.8%
- Pre-Consumer: 14.4%



Technical Services

Technical Services: 800.416.2278
Structural Engineering/Design: 925.473.9340
www.cemcosteel.com



This technical information reflects the most current information available and supersedes any and all previous publications effective January 11, 2017.

1-11-17 AT