

SFC Steel Framing Connectors

SFC connectors are low-cost, multi-use utility clips for light to moderate loading conditions in CFS stud-to-stud and stud-to-structure applications where long leg lengths are not required.

Features:

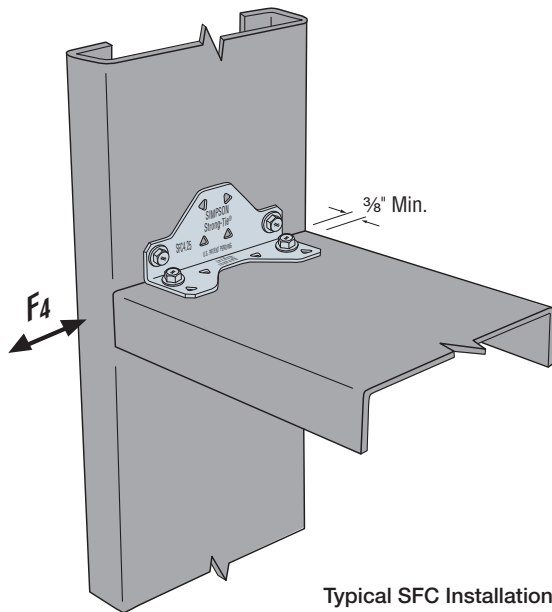
- Reduced number of screws reduces installation cost
- Pre-punched holes reduce installation cost by eliminating predrilling
- Intuitive fastener hole positions ensure accurate clip installation in accordance with design, support a wide range of design and application requirements and provide installation flexibility
- In soft-side stud installations, SFC will not interfere with stud lips up to 3/4" long*
- Also suitable for U-channel bridging

Material: LSFC – 43 mil (33 ksi); SFC – 54 mil (50 ksi)

Finish: Galvanized (G90)

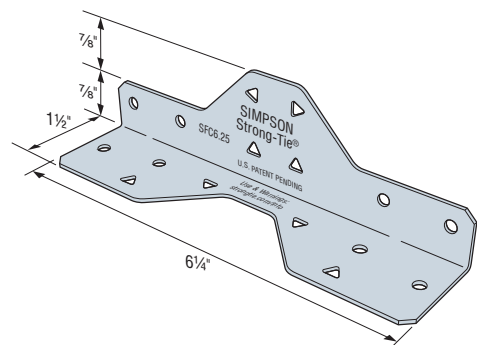
Codes: IAPMO ER-238

Load Tables: Visit strongtie.com for the latest load tables and testing information

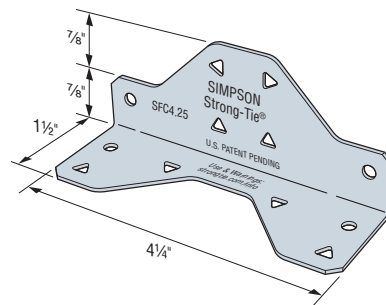


Ordering Information

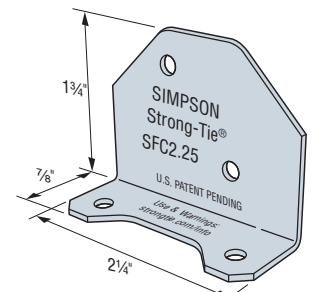
Model Number	Ordering SKU	Package Quantity
SFC2.25	SFC2.25-R300	Bucket of 300
LSFC2.25	LSFC2.25-R300	
SFC4.25	SFC4.25-R175	Bucket of 175
LSFC4.25	LSFC4.25-R175	
SFC6.25	SFC6.25-R125	Bucket of 125
LSFC6.25	LSFC6.25-R100	Bucket of 100



SFC6.25
(LSFC6.25 similar)



SFC4.25
(LSFC4.25 similar)



SFC2.25
(LSFC2.25 similar)
U.S. Patent Pending