

DTC Head-of-Wall Slide-Clip Application

DTC clips are a cost-effective solution for light-duty, head-of-wall slide clip applications. The 1 5/8" slot will allow 3/4" movement in each direction.

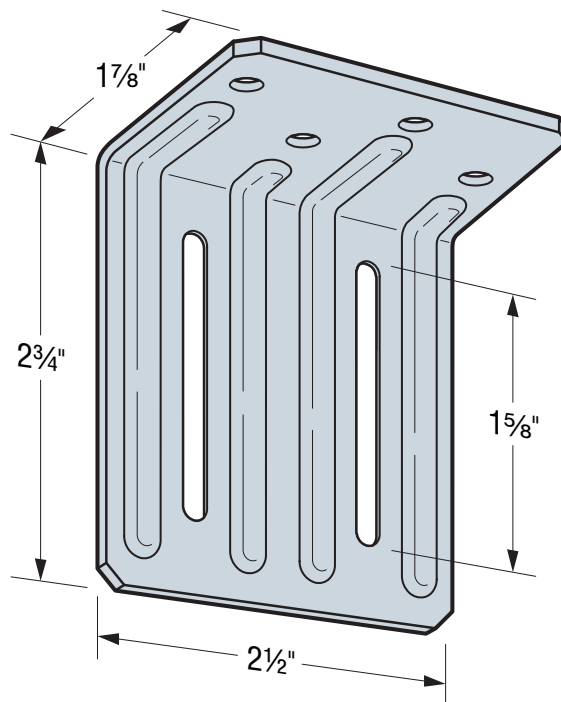
Material: 43 mil (18 ga.)

Finish: Galvanized (G90)

Codes: Call Simpson Strong-Tie for status and test data

Load Tables: Visit strongtie.com for the latest load tables and testing information

Shouldered screws not required or included.



DTC