



Expanding Your Solutions

**Corporate Headquarters**  
13191 Crossroads Pkwy N., Ste 325  
City of Industry, CA 91746  
Phone: 800.775.2362  
Fax: 626.330.7598

**Manufacturing Facilities**  
City of Industry, CA  
Denver, CO  
Ft. Worth, TX  
Pittsburg, CA

**Structural Engineering/Design**  
1001-A Pittsburgh Antioch Hwy  
Pittsburg, CA 94565  
Phone: 800.775.2362  
Fax: 626.330.7598

**Technical Services**  
13191 Crossroads Pkwy N., Ste 325  
City of Industry, CA 91746  
Phone: 800.416.2278  
Fax: 626.249.5004

## CEMCO SMOKE AND SOUND STOP

### Product Description

**CEMCO Smoke and Sound Stop** is a compressible rectangular foam that provides a flexible backing for smoke and sound abatement at interior building joints and is sound tested according to ASTM E90.

**Composition:** Smoke and Sound Stop is continuous lengths of flexible, fabricated open cell polyurethane. Yellow in color. 1" X 1/2" wide in 60' rolls.

### Smoke and Sound Stop

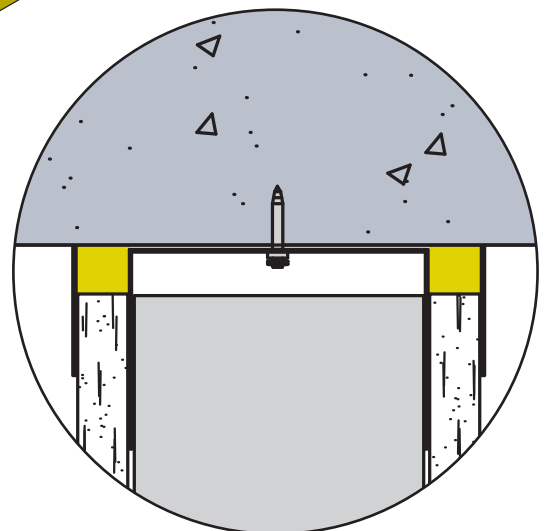
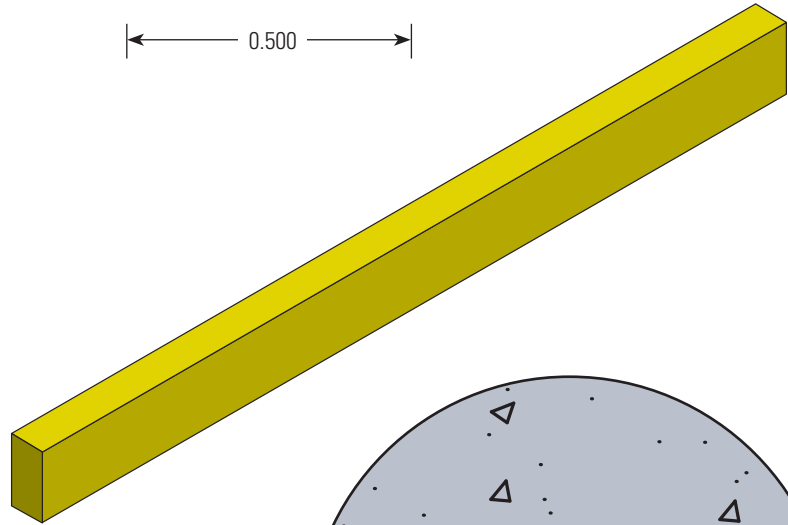
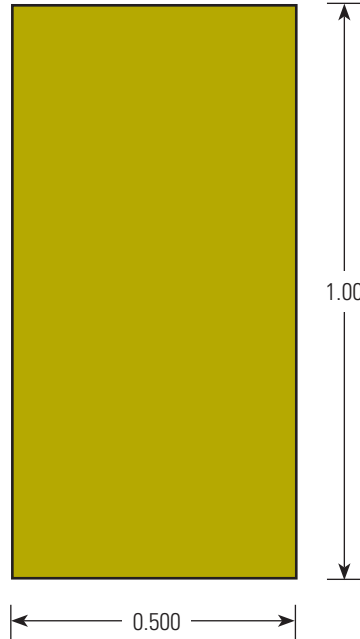
- Should be installed at interior perimeter building joints only, free from all loose materials, dry and free from frost, not recommended for wet areas.
- The rectangular profile is easily compressed into the gap between the edge of the drywall and adjoining structure.
- The open cell composition provides a flexible backing capable of receiving finishing materials such as drywall joint compound and tape or sealant.
- Exposed surface shall be covered with tape and joint compound, or sealant, or decorative trim.
- Maintains flexibility for the life of the interior building joint and will not shrink or pull away or harden over time.
- Will resist oil, gasoline and most solvents, the material is odorless, will not stain, and the open cell composition prevents out-gassing.

### Packaging

1 continuous roll, 1080' per box, 12 boxes per pallet.

### ASTM & Code Standards:

- Sound Tested in accordance with ASTM E90-09
- Air leakage tests conducted for compliance with Section 713.6 of IBC and CBC
- Patent pending



### Technical Services

Technical Services: 800.416.2278  
Structural Engineering/Design: 925.473.9340  
www.cemcosteel.com



This technical information reflects the most current information available and supersedes any and all previous publications effective May 19, 2017.

05-19-17 AT