



Expanding Your Solutions

**Corporate Headquarters**  
13191 Crossroads Pkwy N., Ste 325  
City of Industry, CA 91746  
Phone: 800.775.2362  
Fax: 626.330.7598

**Manufacturing Facilities**  
City of Industry, CA  
Denver, CO  
Ft. Worth, TX  
Pittsburg, CA

**Structural Engineering/Design**  
1001-A Pittsburgh Antioch Hwy  
Pittsburg, CA 94565  
Phone: 800.775.2362  
Fax: 626.330.7598

**Technical Services**  
13191 Crossroads Pkwy N., Ste 325  
City of Industry, CA 91746  
Phone: 800.416.2278  
Fax: 626.249.5004

## FAS-093X FIRE RATED CONTROL JOINT

### Product Description

CEMCO's FAS-093X Fire Rated Control Joint is a composite control joint with intumescent tape factory applied to the back side of the control joint. The FAS-093X has been tested according to UL-2079 "Test For Fire Resistance of Building Joint Systems" and is used to relieve stresses of expansion and contraction of drywall interior partitions or ceilings running in a horizontal or vertical direction. The opening is protected by an orange plastic tape to indicate the fire rating. This tape is removed after joint compound has been applied and the finish is completed. The 093X can be used on metal or wood framing on one or both sides of the wall. The section is fabricated from 0.015 mil hot-dipped galvanized steel.

U.S. Patent 8,671,632

### ASTM & Code Standards:

- ASTM C1047, A653
- ASTM A1003 Grade 33 Type H
- ASTM E 1966: Standard Test Method of Fire Tests of Firestop Systems **for 1 and 2 hour wall assemblies**
- UL 2079 Tests For Fire Resistance of Building Joints
- ASTM E-119 Standard Test Methods for Fire Tests of Building Construction and Material
- Sound Tested in accordance with ASTM E90-09
- Air leakage tests conducted for compliance with Section 713.6 of IBC and CBC
- IBC: 2012, 2015, 2018
- CBC: 2013, 2016
- AISI: S100-07, S100-12, S100-16, S220-11, S220-15

### LEED v4 for Building and Design Construction:

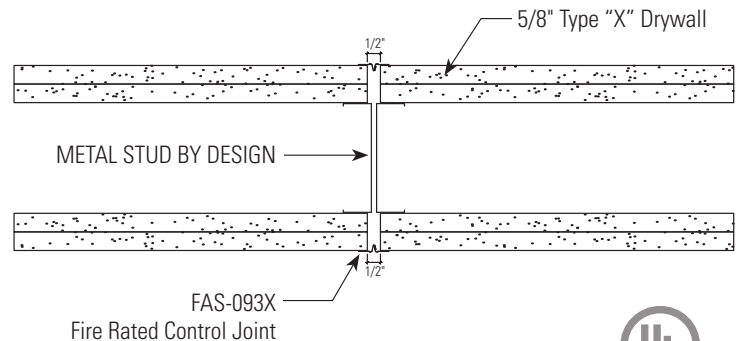
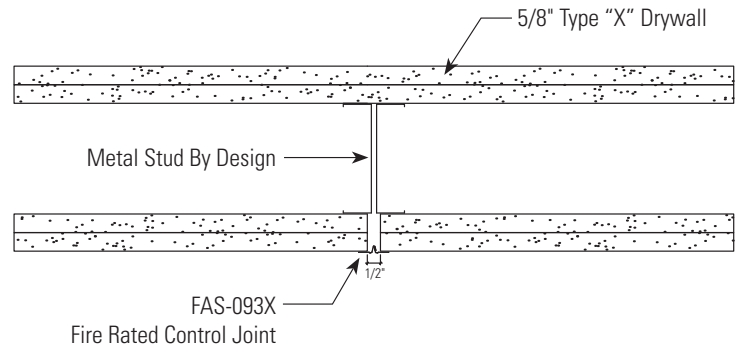
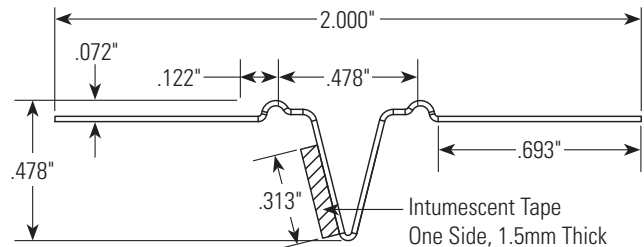
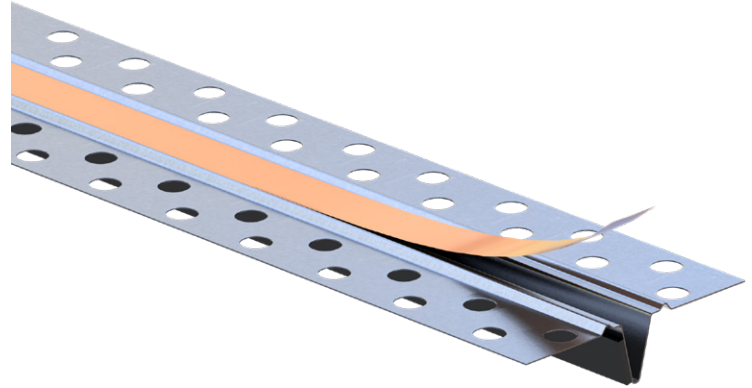
- MR Prerequisite: Construction and Demolition Waste Management Planning
- MR Credit: Construction and Demolition Waste Management
- MR Credit: Building Product Disclosure and Optimization – Sourcing of Raw Materials, Option 2
- MR Credit: Building Product Disclosure and Optimization – Environmental Product Declarations, Options 1 & 2
- MR Credit: Building Product Disclosure and Optimization – Material Ingredients, Option 1
- MR Credit: Building Life-Cycle Impact Reduction, Option 4

### CEMCO cold-formed steel framing products contain 30% to 37% recycled steel:

- Total Recycled Content: 36.9%
- Post-Consumer: 19.8%
- Pre-Consumer: 14.4%

### Installation:

093X can be installed with drywall fasteners or staples before the flanges are coated with tape and joint compound.



### Technical Services

Technical Services: 800.416.2278  
Structural Engineering/Design: 925.473.9340  
www.cemcosteel.com



This technical information reflects the most current information available and supersedes any and all previous publications effective December 20, 2018.  
12-20-18 AT