

HW-D-0524

ASSEMBLY RATING: 1 HR

STANDARD WALL, PARALLEL & DIRECTLY UNDER DECK FLUTE
CONFIGURATION "A"

DISCLAIMER:

CEMCO assumes no liability for failure resulting from the use of its drawings, computations, or for failure resulting from the use of alternate materials, or improper application or installation. This drawing is supplied solely to assist in the selection and application of CEMCO products. This drawing is generic in nature and should not be used in design or construction without an independent evaluation by a qualified Architect or Engineer of Record. All warranties of any kind, express or implied, including but not limited to the implied warranties of merchantability and fitness for a particular purpose are disclaimed.

REVISION:

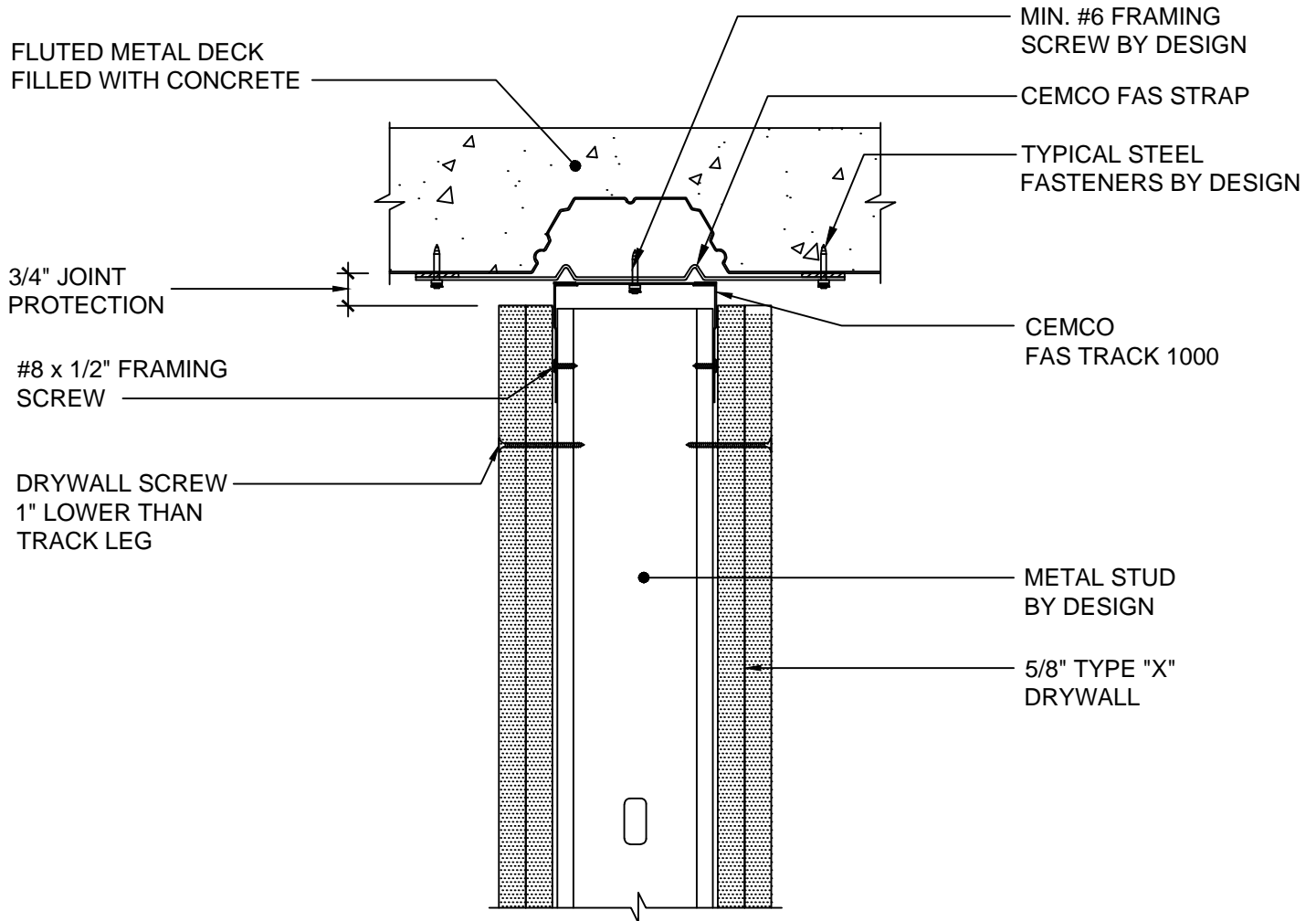
DRAWN BY: T.G.
DATA: 05/15/13
APPROVED BY: F. SESMA
DATE: 05/15/13
SCALE: 3"=1'-0"
JOB NO.: UL DETAILS
SHEET NO.:


SD49



WWW.CEMCOSTEEL.COM

263 N. Covina Lane.
City of Industry, CA 91744
PHONE (800) 775-2362
ENG. DEPT.
FAX (626) 369-7243
WWW.CEMCOSTEEL.COM



<p>HW-D-0524 ASSEMBLY RATING: 2 HR</p>	<p>STANDARD WALL, PARALLEL & DIRECTLY UNDER DECK FLUTE CONFIGURATION "A"</p>	
 <p>WWW.CEMCOSTEEL.COM 263 N. Covina Lane. City of Industry, CA 91744 PHONE (800) 775-2362 ENG. DEPT. FAX (626) 369-7243 WWW.CEMCOSTEEL.COM</p>	<p>DISCLAIMER: CEMCO assumes no liability for failure resulting from the use of it's drawings, computations, or for failure resulting from the use of alternate materials, or improper application or installation. This drawing is supplied solely to assist in the selection and application of CEMCO products. This drawing is generic in nature and should not be used in design or construction without an independent evaluation by a qualified Architect or Engineer of Record. All warranties of any kind, express or implied, including but not limited to the implied warranties of merchantability and fitness for a particular purpose are disclaimed.</p>	<p>REVISION: DRAWN BY: T.G. DATA: 05/15/13 APPROVED BY: F. SESMA DATE: 05/15/13 SCALE: 3"=1'-0" JOB NO.: UL DETAILS SHEET NO.: SD50</p>

FLUTED METAL DECK WITH
CONCRETE FILL

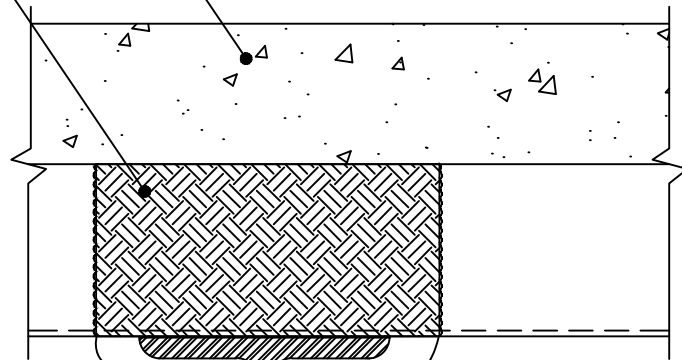
FIREPROOFING OR
MINERAL WOOL

TYPICAL STEEL FASTENERS
BY DESIGN

1/2" x 20 GA. Z-BAR OR
16 GA. CRC BY DESIGN

CEMCO FAS
TRACK 1000

DRYWALL SCREW
1" LOWER THAN
TRACK LEG



STEEL BEAM

STRUCTURAL STEEL
FIREPROOFING
(THICKNESS BY OTHERS)

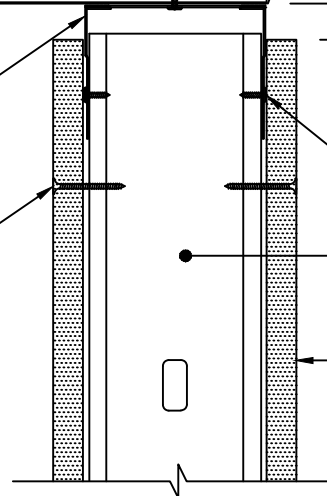
3.4 EXPANDED
RIB LATH

3/4" JOINT
PROTECTION

#8 x 1/2" FRAMING
SCREW

METAL STUD
BY DESIGN

5/8" TYPE
"X" DRYWALL



HW-D-0652

ASSEMBLY RATING: 1 HR

STANDARD WALL, CANTILEVERED UNDER BEAM

DISCLAIMER:

CEMCO assumes no liability for failure resulting from the use of its drawings, computations, or for failure resulting from the use of alternate materials, or improper application or installation. This drawing is supplied solely to assist in the selection and application of CEMCO products. This drawing is generic in nature and should not be used in design or construction without an independent evaluation by a qualified Architect or Engineer of Record. All warranties of any kind, express or implied, including but not limited to the implied warranties of merchantability and fitness for a particular purpose are disclaimed.

REVISION:

DRAWN BY: T. GARIBEKIAN
DATE: 05/16/13

APPROVED BY: F. SESMA
DATE: 05/16/13

SCALE: 3" = 1'-0"

JOB NO.: UL DETAILS

SHEET NO.:

SD53



WWW.CEMCOSTEEL.COM

263 N. Covina Lane.
City of Industry, CA 91744
PHONE (800) 775-2362
ENG. DEPT.
FAX (626) 369-7243
WWW.CEMCOSTEEL.COM

FLUTED METAL DECK WITH
CONCRETE FILL

FIREPROOFING OR
MINERAL WOOL

TYPICAL STEEL
FASTENERS BY DESIGN

1/2" x 20 GA. Z-BAR OR
16 GA. CRC BY DESIGN

CEMCO FAS
TRACK 1000

DRYWALL SCREW
1" LOWER THAN
TRACK LEG

STEEL BEAM

STRUCTURAL STEEL
FIREPROOFING
(THICKNESS BY OTHERS)

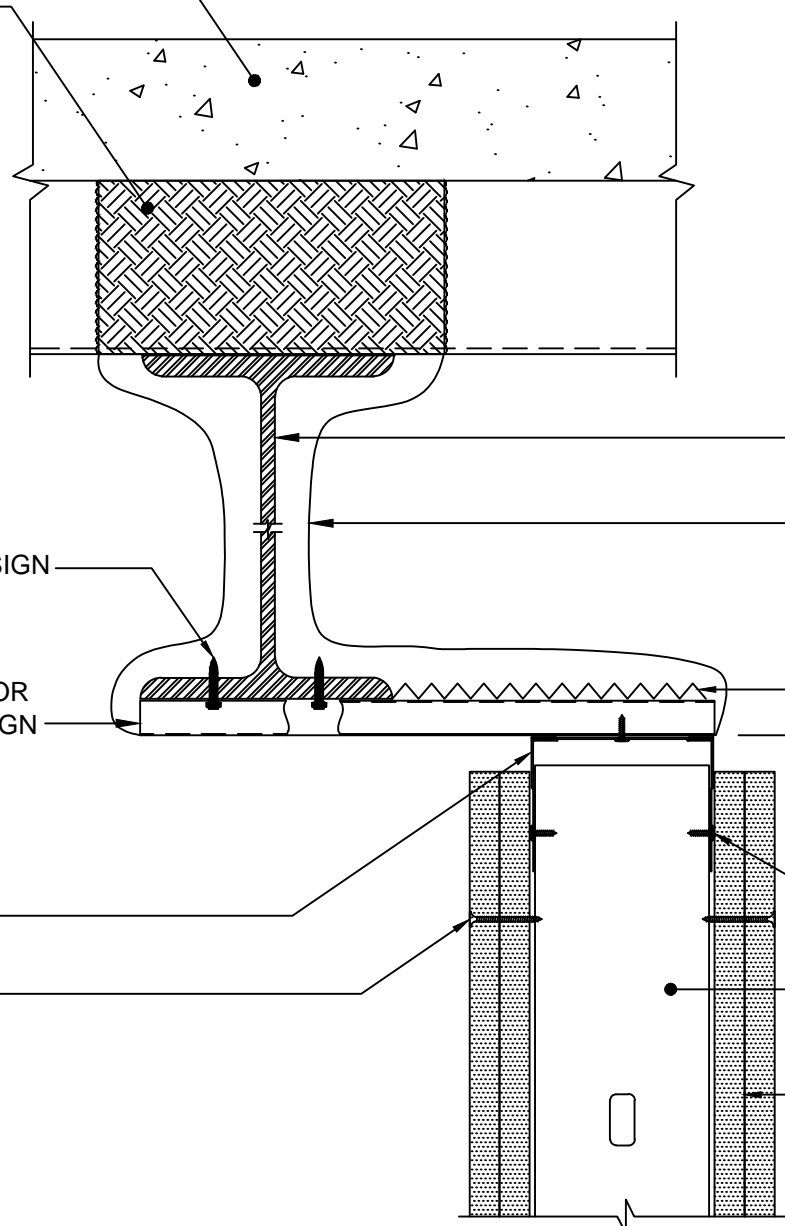
3.4 EXPANDED
RIB LATH

3/4" JOINT
PROTECTION

#8 x 1/2" FRAMING
SCREW

METAL STUD
BY DESIGN

5/8" TYPE
"X" DRYWALL



HW-D-0652

STANDARD WALL, CANTILEVERED UNDER BEAM

ASSEMBLY RATING: 2 HR



WWW.CEMCOSTEEL.COM

263 N. Covina Lane.
City of Industry, CA 91744
PHONE (800) 775-2362
ENG. DEPT.
FAX (626) 369-7243
WWW.CEMCOSTEEL.COM

DISCLAIMER:

CEMCO assumes no liability for failure resulting from the use of it's drawings, computations, or for failure resulting from the use of alternate materials, or improper application or installation. This drawing is supplied solely to assist in the selection and application of CEMCO products. This drawing is generic in nature and should not be used in design or construction without an independent evaluation by a qualified Architect or Engineer of Record. All warranties of any kind, express or implied, including but not limited to the implied warranties of merchantability and fitness for a particular purpose are disclaimed.

REVISION:

DRAWN BY: T.GARIBEKIAN
DATA: 05/16/13
APPROVED BY: F. SESMA
DATE: 05/16/13
SCALE: 3"=1'-0"
JOB NO.: UL DETAILS
SHEET NO.:

SD54

FLUTED METAL DECK WITH
CONCRETE FILL

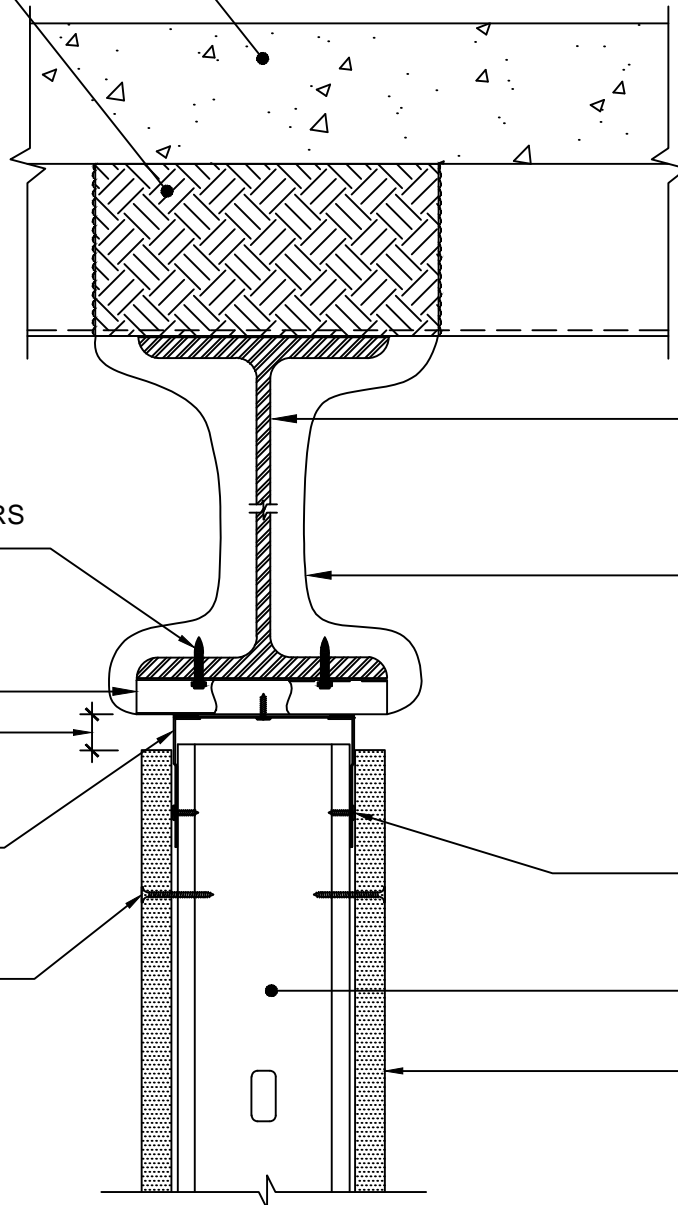
FIRE PROOFING OR
MINERAL WOOL

TYPICAL STEEL FASTENERS
BY DESIGN

1/2" x 20 GA. Z-BAR OR
16 GA. CRC @ BY DESIGN
3/4" JOINT PROTECTION

CEMCO FAS
TRACK 1000

DRYWALL SCREW
1" LOWER THAN
TRACK LEG



STEEL BEAM

STRUCTURAL STEEL
FIREPROOFING
(THICKNESS BY OTHERS)

#8 x 1/2" FRAMING
SCREW

METAL STUD
BY DESIGN

5/8" TYPE
"X" DRYWALL

HW-D-0551

ASSEMBLY RATING: 1 HR

STANDARD WALL, CENTERED DIRECTLY UNDER BEAM

DISCLAIMER:

CEMCO assumes no liability for failure resulting from the use of its drawings, computations, or for failure resulting from the use of alternate materials, or improper application or installation. This drawing is supplied solely to assist in the selection and application of CEMCO products. This drawing is generic in nature and should not be used in design or construction without an independent evaluation by a qualified Architect or Engineer of Record. All warranties of any kind, express or implied, including but not limited to the implied warranties of merchantability and fitness for a particular purpose are disclaimed.

REVISION:

DRAWN BY: T.GARIBEKIAN
DATE: 05/16/13

APPROVED BY: F. SESMA
DATE: 05/16/13

SCALE: 3" = 1'-0"

JOB NO.: UL DETAILS

SHEET NO.:

SD55



WWW.CEMCOSTEEL.COM

263 N. Covina Lane.
City of Industry, CA 91744
PHONE (800) 775-2362
ENG. DEPT.
FAX (626) 369-7243
WWW.CEMCOSTEEL.COM

FLUTED METAL DECK WITH
CONCRETE FILL

FIRE PROOFING OR
MINERAL WOOL

TYPICAL STEEL FASTENERS
BY DESIGN

1/2" x 20 GA. Z-BAR OR
16 GA. CRC BY DESIGN.

3/4" JOINT PROTECTION

CEMCO FAS
TRACK 1000

DRYWALL SCREW
1" LOWER THAN
TRACK LEG

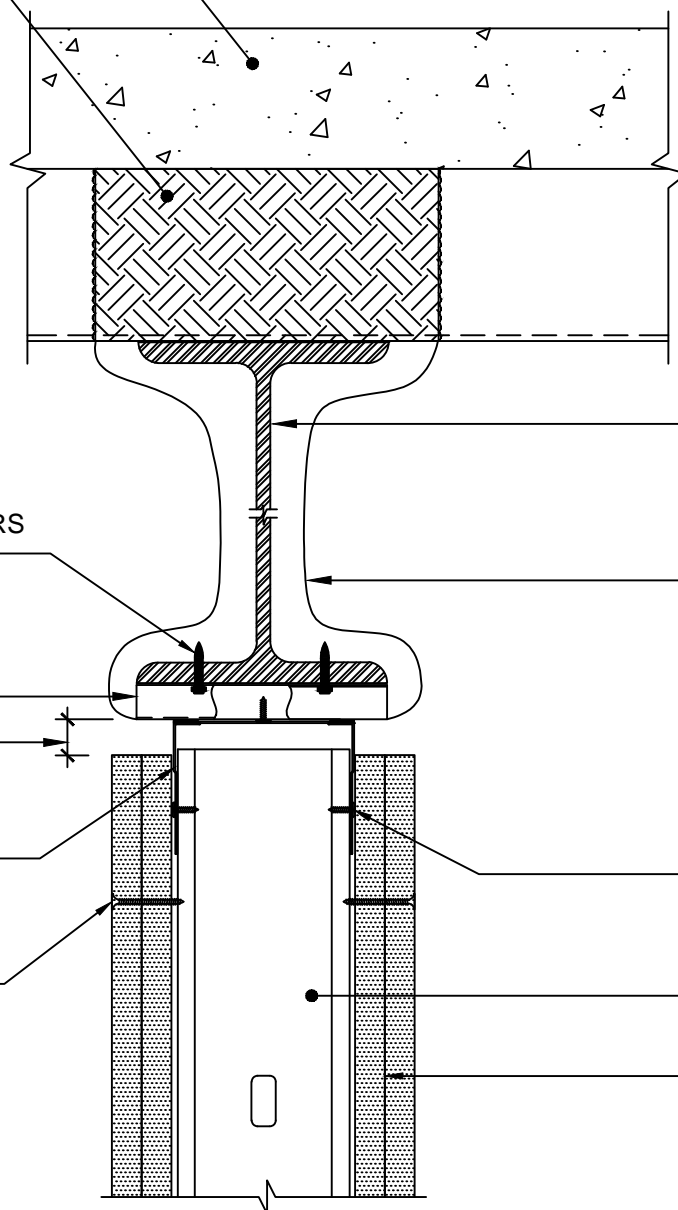
STEEL BEAM

STRUCTURAL STEEL
FIREPROOFING
(THICKNESS BY OTHERS)

#8 x 1/2" FRAMING
SCREW

METAL STUD
BY DESIGN

5/8" TYPE
"X" DRYWALL



HW-D-0551

ASSEMBLY RATING: 2 HR

STANDARD WALL, CENTERED DIRECTLY UNDER BEAM



WWW.CEMCOSTEEL.COM

263 N. Covina Lane.
City of Industry, CA 91744
PHONE (800) 775-2362
ENG. DEPT.
FAX (626) 369-7243
WWW.CEMCOSTEEL.COM

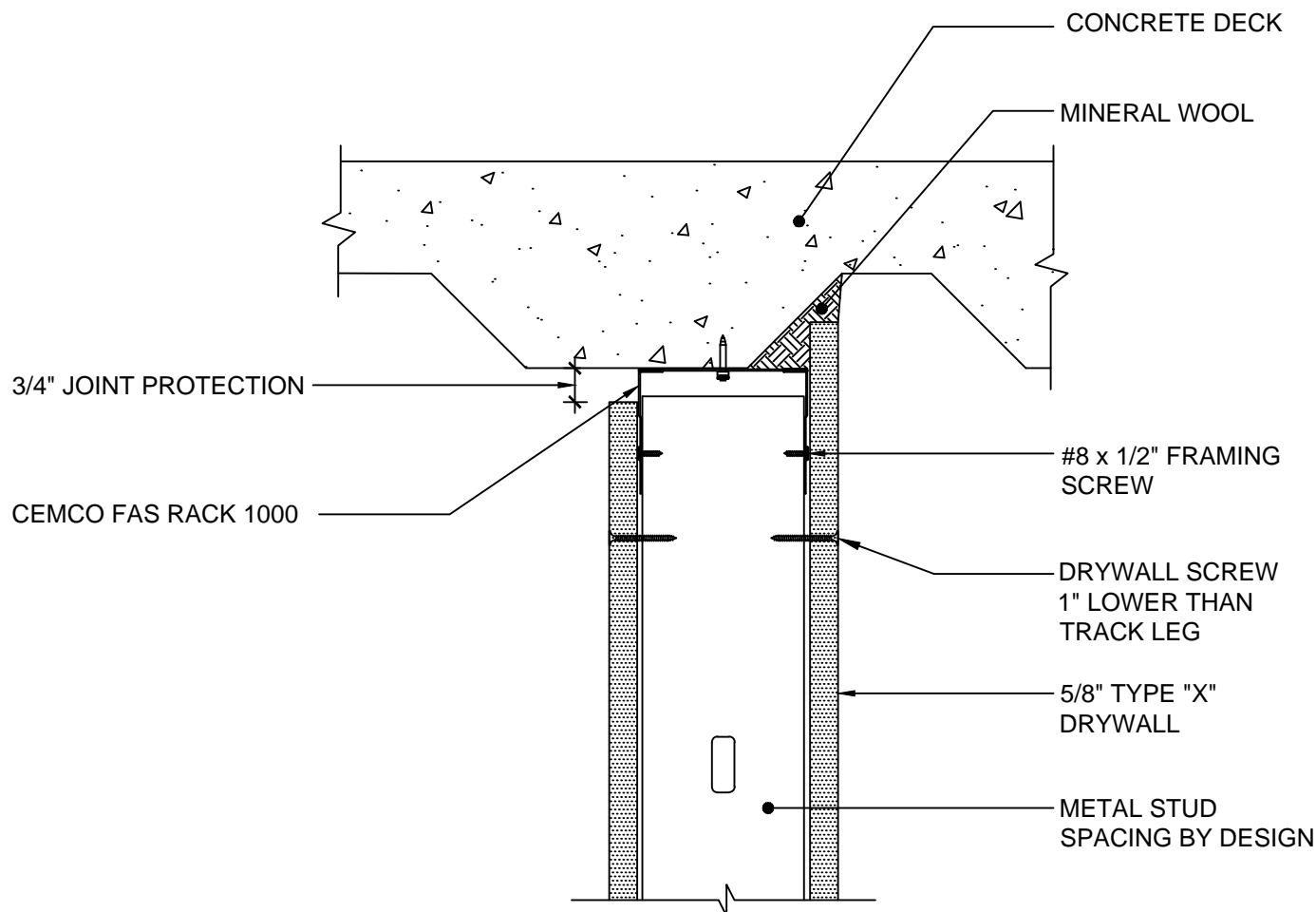
DISCLAIMER:

CEMCO assumes no liability for failure resulting from the use of its drawings, computations, or for failure resulting from the use of alternate materials, or improper application or installation. This drawing is supplied solely to assist in the selection and application of CEMCO products. This drawing is generic in nature and should not be used in design or construction without an independent evaluation by a qualified Architect or Engineer of Record. All warranties of any kind, express or implied, including but not limited to the implied warranties of merchantability and fitness for a particular purpose are disclaimed.

REVISION:

DRAWN BY: T.GARIBEKIAN
DATE: 05/16/13
APPROVED BY: F. SESMA
DATE: 05/16/13
SCALE: 3" = 1'-0"
JOB NO.: UL DETAILS
SHEET NO.:

SD56



HW-D-0620

ASSEMBLY RATING: 1 HR

STANDARD WALL, PARALLEL & OFFSET UNDER FLUTED DECK
CONFIGURATION "B"



WWW.CEMCOSTEEL.COM

263 N. Covina Lane.
City of Industry, CA 91744
PHONE (800) 775-2362
ENG. DEPT.
FAX (626) 369-7243
WWW.CEMCOSTEEL.COM

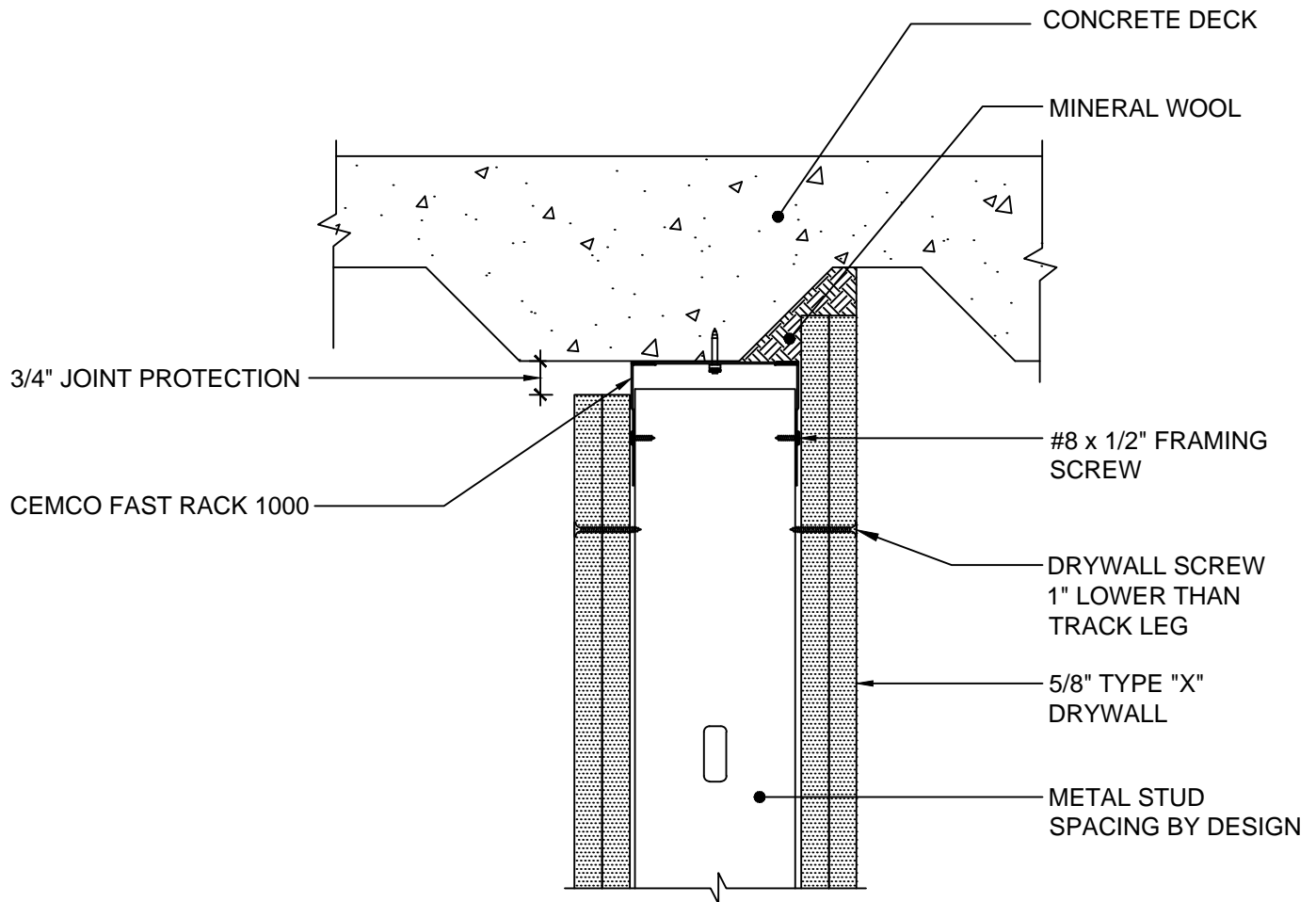
DISCLAIMER:

CEMCO assumes no liability for failure resulting from the use of its drawings, computations, or for failure resulting from the use of alternate materials, or improper application or installation. This drawing is supplied solely to assist in the selection and application of CEMCO products. This drawing is generic in nature and should not be used in design or construction without an independent evaluation by a qualified Architect or Engineer of Record. All warranties of any kind, express or implied, including but not limited to the implied warranties of merchantability and fitness for a particular purpose are disclaimed.

REVISION:

DRAWN BY: T.GARIBEKIAN
DATE: 05/24/13
APPROVED BY: F. SESMA
DATE: 05/24/13
SCALE: 3" = 1'-0"
JOB NO.: UL DETAILS
SHEET NO.:

SD59



HW-D-0620

ASSEMBLY RATING: 2 HR

STANDARD WALL, PARALLEL & OFFSET UNDER FLUTED DECK
CONFIGURATION "B"

DISCLAIMER:

CEMCO assumes no liability for failure resulting from the use of its drawings, computations, or for failure resulting from the use of alternate materials, or improper application or installation. This drawing is supplied solely to assist in the selection and application of CEMCO products. This drawing is generic in nature and should not be used in design or construction without an independent evaluation by a qualified Architect or Engineer of Record. All warranties of any kind, express or implied, including but not limited to the implied warranties of merchantability and fitness for a particular purpose are disclaimed.

REVISION:

DRAWN BY: T.GARIBEKIAN
DATE: 05/24/13

APPROVED BY: F. SESMA
DATE: 05/24/13

SCALE: 3" = 1'-0"

JOB NO.: UL DETAILS

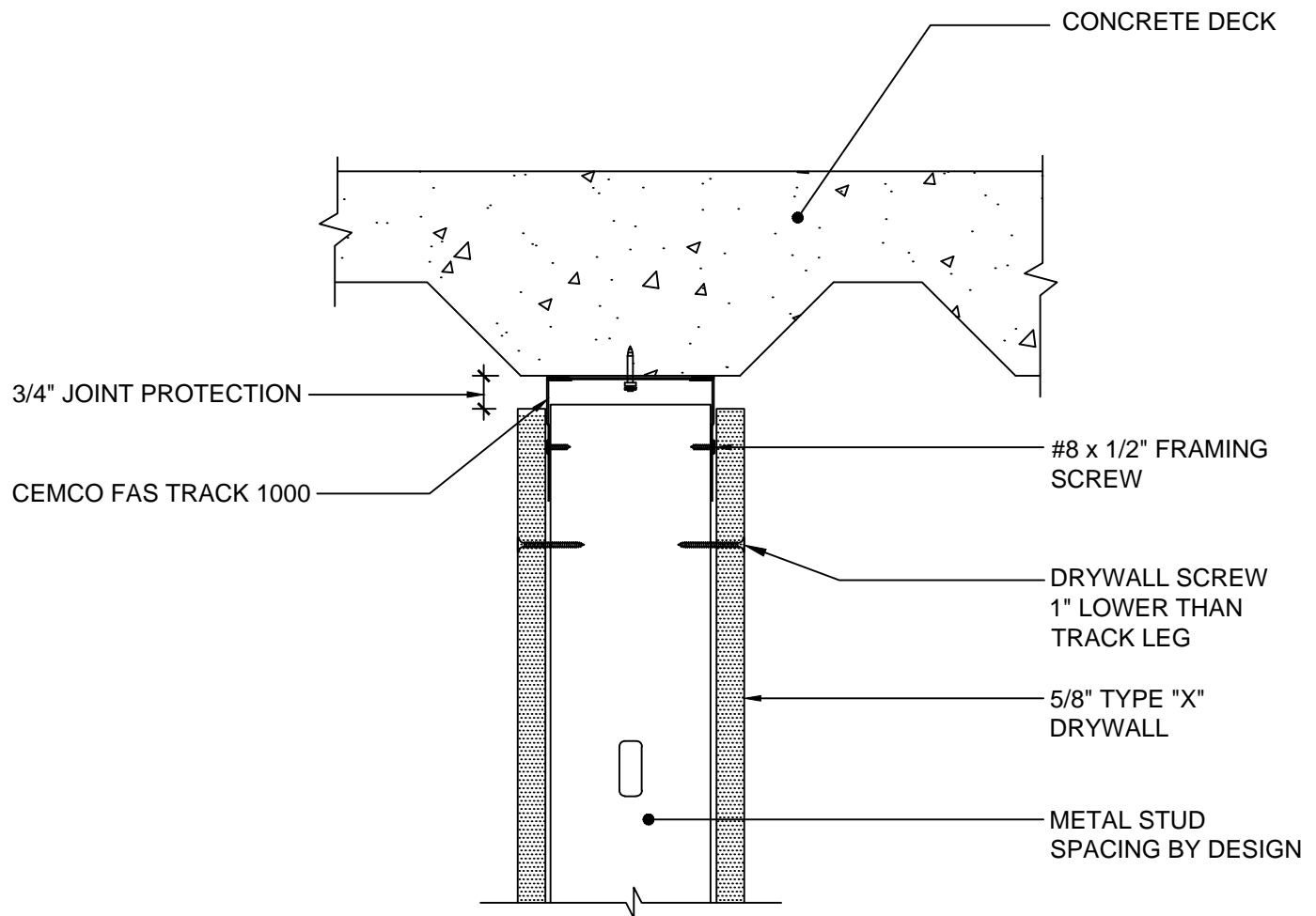
SHEET NO.:

SD60



WWW.CEMCOSTEEL.COM

263 N. Covina Lane.
City of Industry, CA 91744
PHONE (800) 775-2362
ENG. DEPT.
FAX (626) 369-7243
WWW.CEMCOSTEEL.COM



HW-D-0620

ASSEMBLY RATING: 1 HR

STANDARD WALL, PARALLEL AND DIRECTLY UNDER FLUTED DECK
CONFIGURATION "A"

DISCLAIMER:

CEMCO assumes no liability for failure resulting from the use of its drawings, computations, or for failure resulting from the use of alternate materials, or improper application or installation. This drawing is supplied solely to assist in the selection and application of CEMCO products. This drawing is generic in nature and should not be used in design or construction without an independent evaluation by a qualified Architect or Engineer of Record. All warranties of any kind, express or implied, including but not limited to the implied warranties of merchantability and fitness for a particular purpose are disclaimed.

REVISION:

DRAWN BY: T.GARIBEKIAN
DATE: 05/24/13

APPROVED BY: F. SESMA
DATE: 05/24/13

SCALE: 3" = 1'-0"

JOB NO.: UL DETAILS

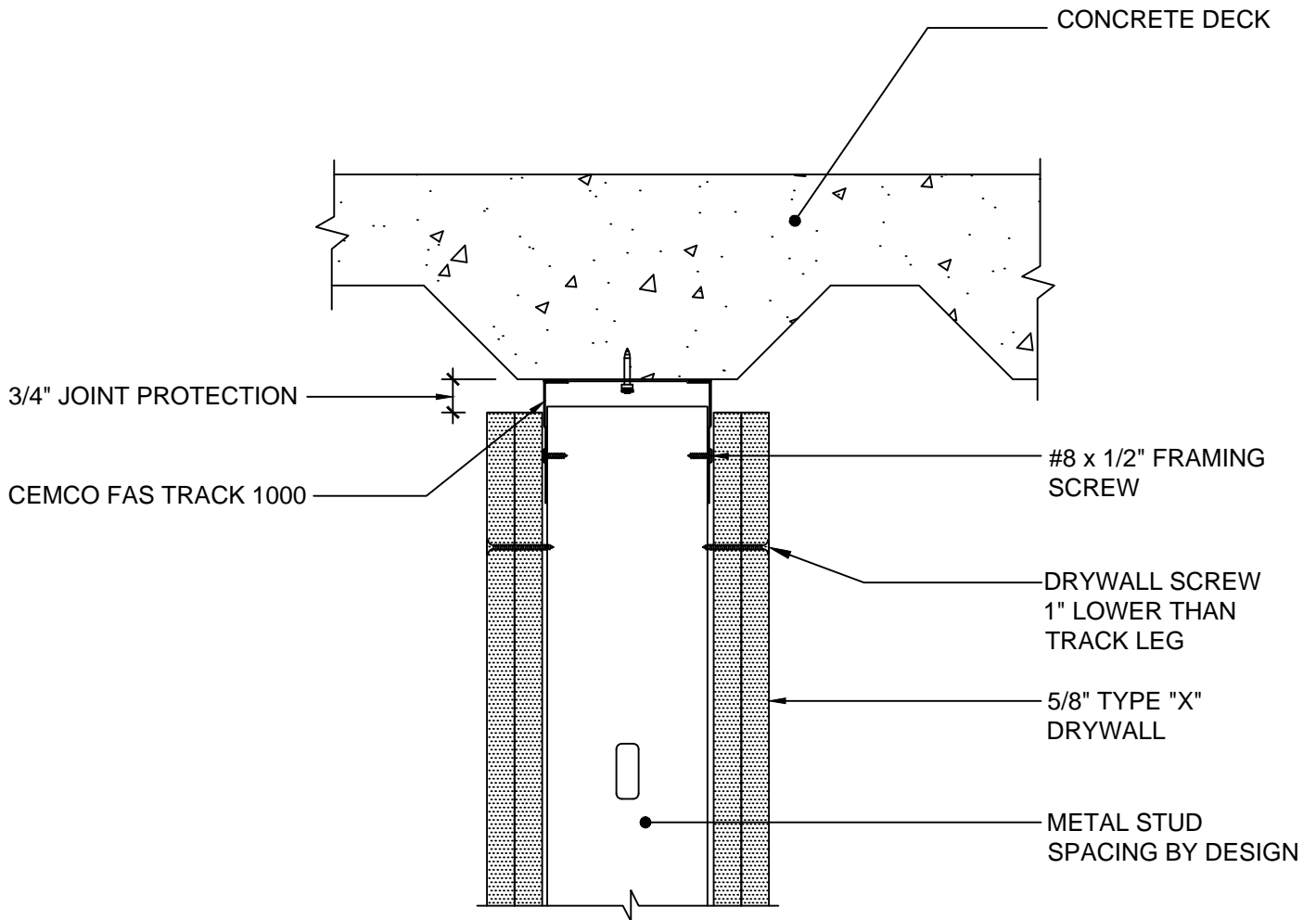
SHEET NO.:


SD61

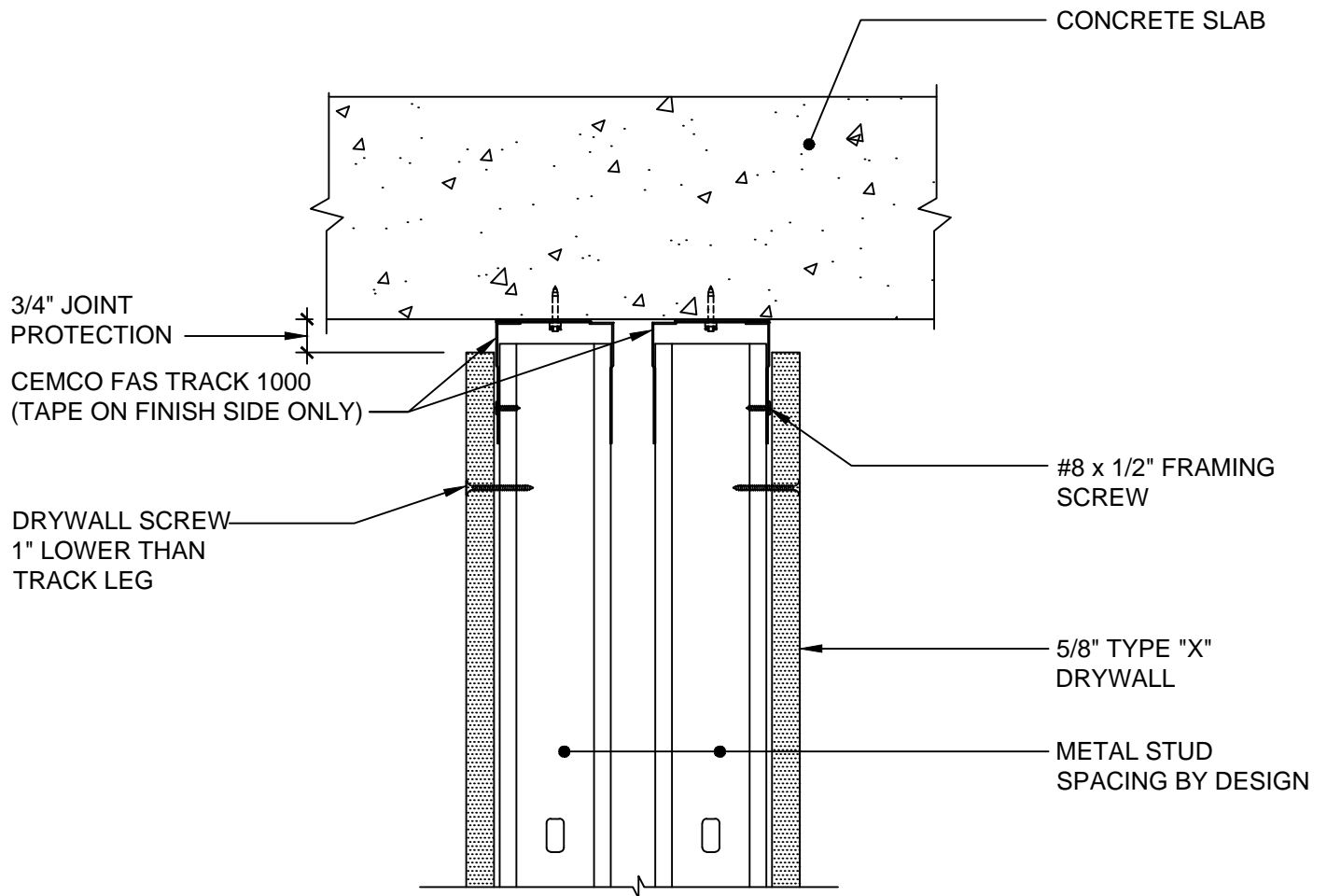


WWW.CEMCOSTEEL.COM

263 N. Covina Lane.
City of Industry, CA 91744
PHONE (800) 775-2362
ENG. DEPT.
FAX (626) 369-7243
WWW.CEMCOSTEEL.COM



<p>HW-D-0620 ASSEMBLY RATING: 2 HR</p>	<p>STANDARD WALL, PARALLEL AND DIRECTLY UNDER FLUTED DECK CONFIGURATION "A"</p>	
 <p>WWW.CEMCOSTEEL.COM 263 N. Covina Lane. City of Industry, CA 91744 PHONE (800) 775-2362 ENG. DEPT. FAX (626) 369-7243 WWW.CEMCOSTEEL.COM</p>	<p>DISCLAIMER: CEMCO assumes no liability for failure resulting from the use of its drawings, computations, or for failure resulting from the use of alternate materials, or improper application or installation. This drawing is supplied solely to assist in the selection and application of CEMCO products. This drawing is generic in nature and should not be used in design or construction without an independent evaluation by a qualified Architect or Engineer of Record. All warranties of any kind, express or implied, including but not limited to the implied warranties of merchantability and fitness for a particular purpose are disclaimed.</p>	<p>REVISION: DRAWN BY: T.GARIBEKIAN DATA: 05/24/13 APPROVED BY: F. SESMA DATE: 05/24/13 SCALE: 3" = 1'-0" JOB NO.: UL DETAILS SHEET NO.: SD62</p>



HW-D-0554

ASSEMBLY RATING: 1 HR

STANDARD CHASE WALL, CONCRETE SLAB

DISCLAIMER:

CEMCO assumes no liability for failure resulting from the use of its drawings, computations, or for failure resulting from the use of alternate materials, or improper application or installation. This drawing is supplied solely to assist in the selection and application of CEMCO products. This drawing is generic in nature and should not be used in design or construction without an independent evaluation by a qualified Architect or Engineer of Record. All warranties of any kind, express or implied, including but not limited to the implied warranties of merchantability and fitness for a particular purpose are disclaimed.

REVISION:

DRAWN BY: T. GARIBEKIAN
DATA: 05/24/13

APPROVED BY: F. SESMA
DATE: 05/24/13

SCALE: 3" = 1'-0"

JOB NO.: UL DETAILS

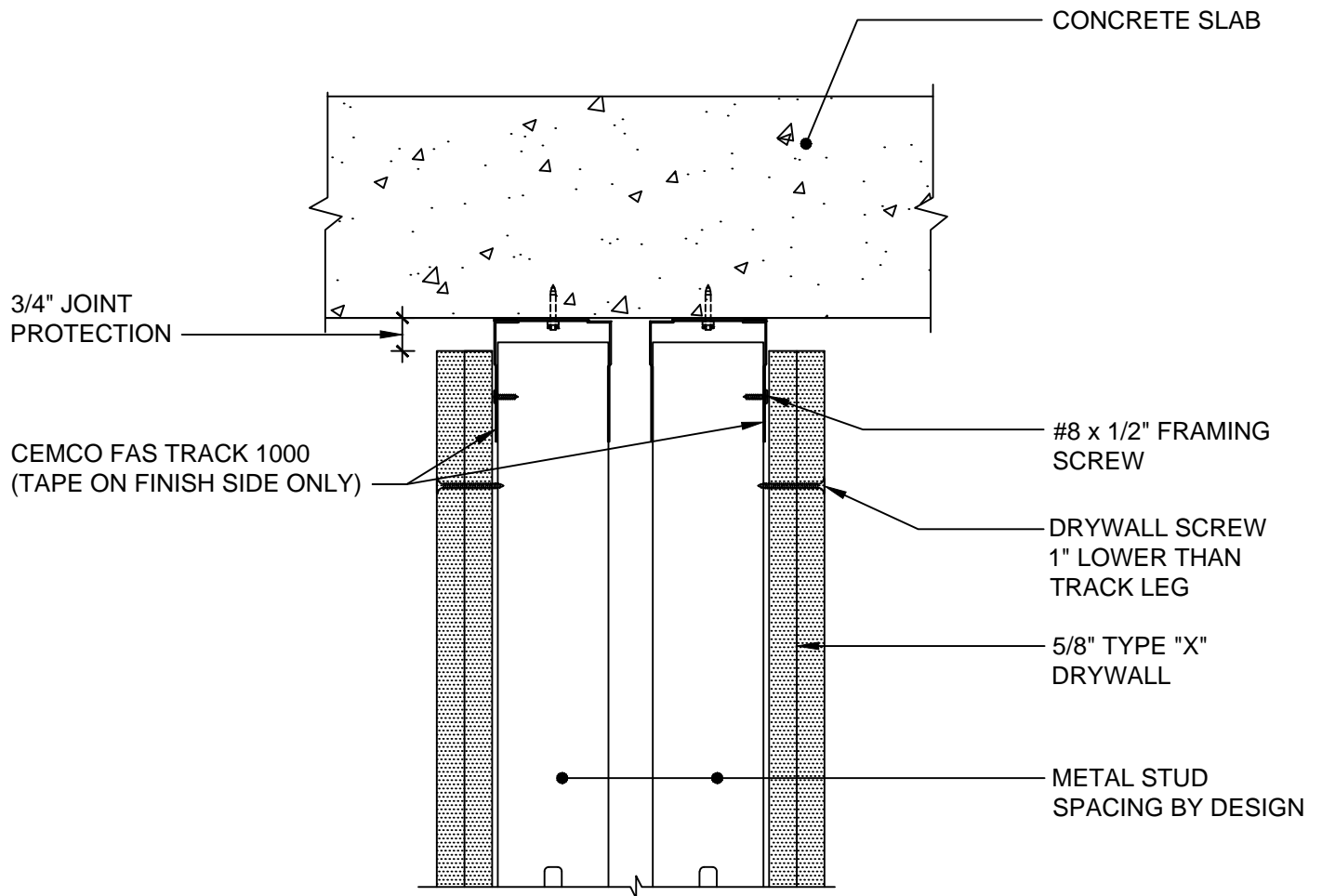
SHEET NO.:

SD65



WWW.CEMCOSTEEL.COM

263 N. Covina Lane.
City of Industry, CA 91744
PHONE (800) 775-2362
ENG. DEPT.
FAX (626) 369-7243
WWW.CEMCOSTEEL.COM



HW-D-0554

ASSEMBLY RATING: 2 HR

STANDARD CHASE WALL, CONCRETE SLAB

DISCLAIMER:

CEMCO assumes no liability for failure resulting from the use of its drawings, computations, or for failure resulting from the use of alternate materials, or improper application or installation. This drawing is supplied solely to assist in the selection and application of CEMCO products. This drawing is generic in nature and should not be used in design or construction without an independent evaluation by a qualified Architect or Engineer of Record. All warranties of any kind, express or implied, including but not limited to the implied warranties of merchantability and fitness for a particular purpose are disclaimed.

REVISION:

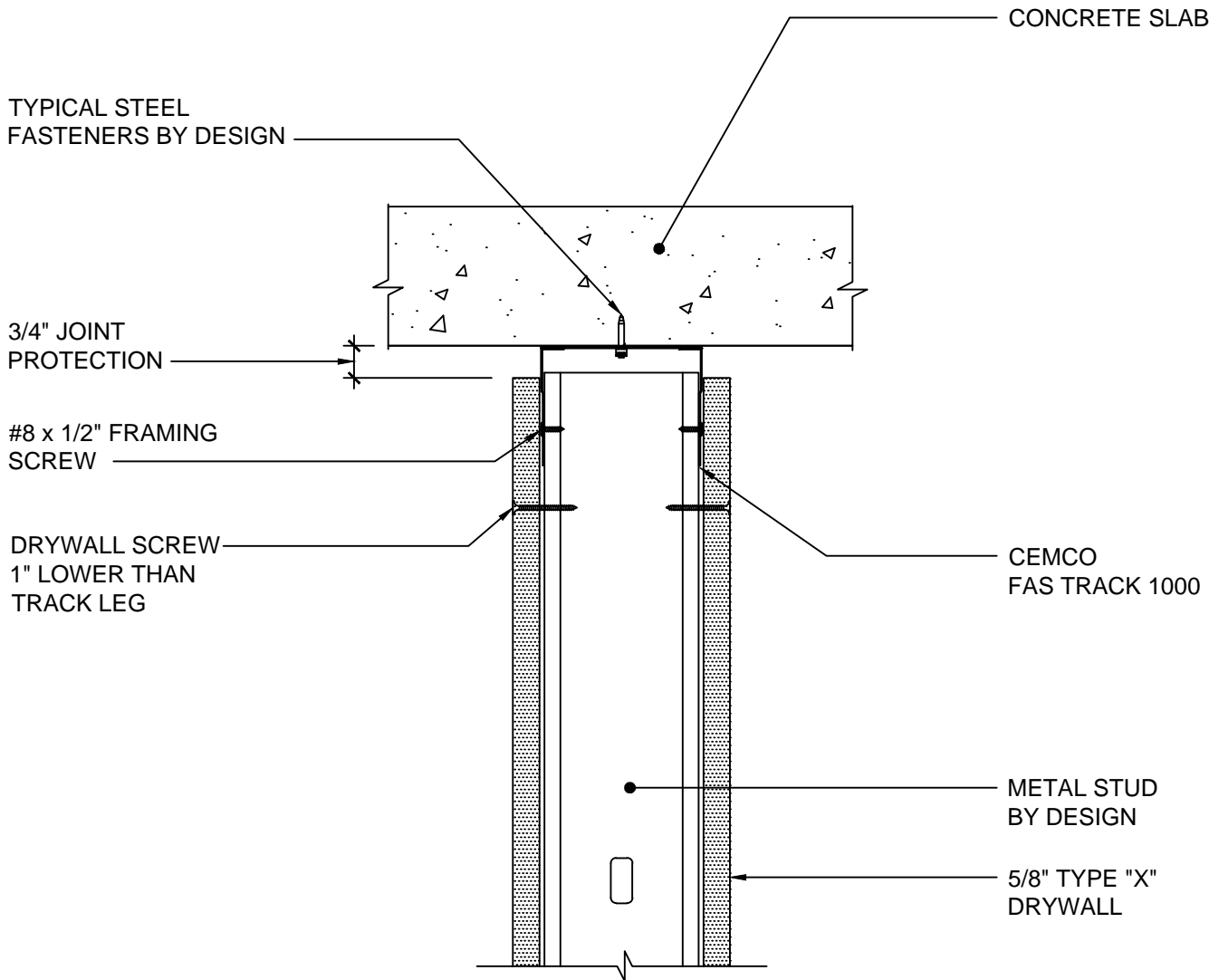
DRAWN BY: T.GARIBEKIAN
 DATA: 05/24/13
 APPROVED BY: F. SESMA
 DATE: 05/24/13
 SCALE: 3" = 1'-0"
 JOB NO.: UL DETAILS
 SHEET NO.:


SD66

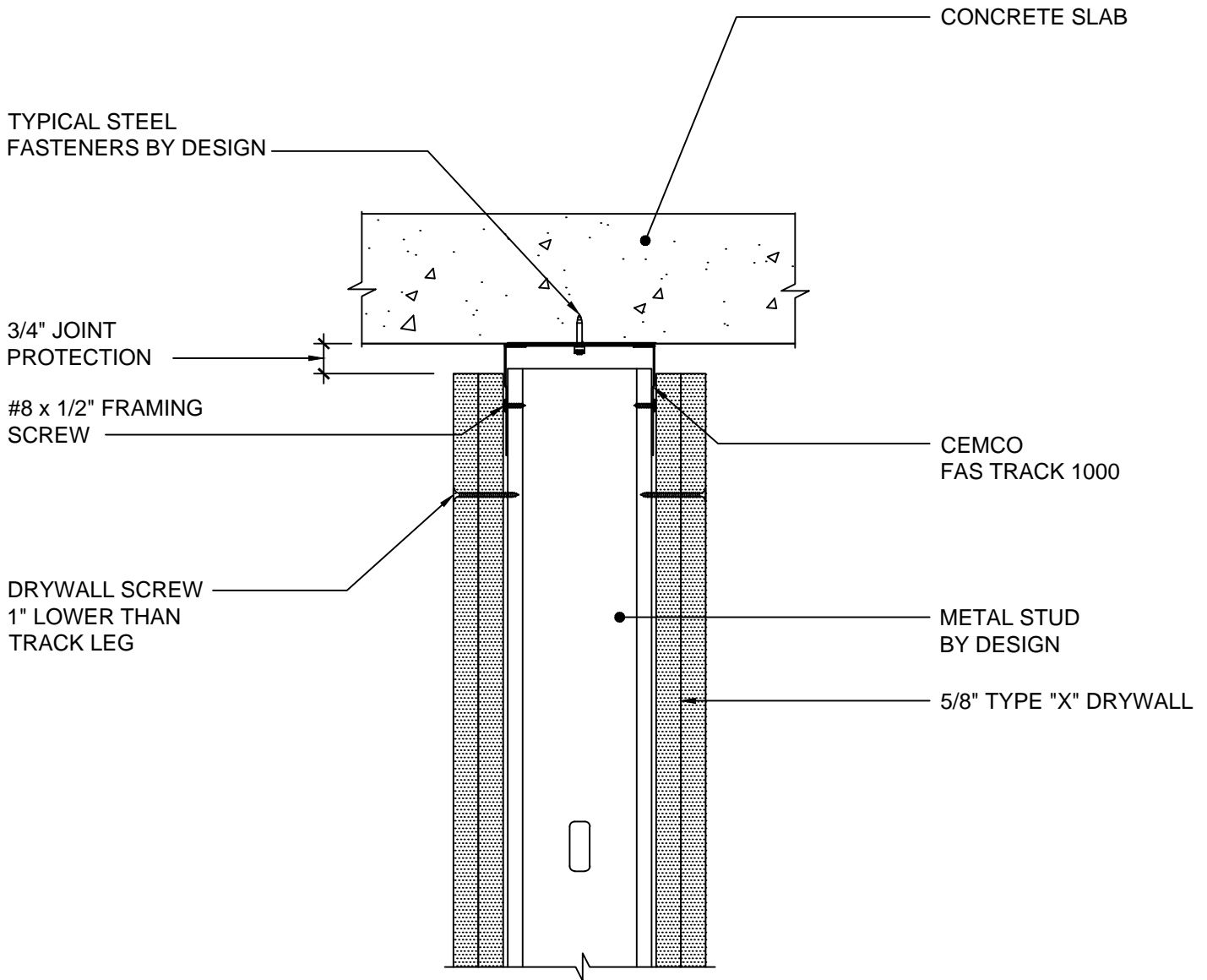


WWW.CEMCOSTEEL.COM

263 N. Covina Lane.
 City of Industry, CA 91744
 PHONE (800) 775-2362
 ENG. DEPT.
 FAX (626) 369-7243
 WWW.CEMCOSTEEL.COM



<p>HW-D-0624 ASSEMBLY RATING: 1 HR</p>	<p>STANDARD WALL, CONCRETE SLAB FLAT TAPE & JOINT COMPOUND</p>	
 <p>WWW.CEMCOSTEEL.COM 263 N. Covina Lane. City of Industry, CA 91744 PHONE (800) 775-2362 ENG. DEPT. FAX (626) 369-7243 WWW.CEMCOSTEEL.COM</p>	<p>DISCLAIMER: CEMCO assumes no liability for failure resulting from the use of it's drawings, computations, or for failure resulting from the use of alternate materials, or improper application or installation. This drawing is supplied solely to assist in the selection and application of CEMCO products. This drawing is generic in nature and should not be used in design or construction without an independent evaluation by a qualified Architect or Engineer of Record. All warranties of any kind, express or implied, including but not limited to the implied warranties of merchantability and fitness for a particular purpose are disclaimed.</p>	<p>REVISION: DRAWN BY: T.G. DATA: 05/24/13 APPROVED BY: F. SESMA DATE: 05/24/13 SCALE: 3"= 1'-0" JOB NO.: UL DETAILS SHEET NO.: SD69</p>



HW-D-0624

ASSEMBLY RATING: 2 HR

STANDARD WALL, CONCRETE SLAB

FLAT TAPE & JOINT COMPOUND

DISCLAIMER:

CEMCO assumes no liability for failure resulting from the use of its drawings, computations, or for failure resulting from the use of alternate materials, or improper application or installation. This drawing is supplied solely to assist in the selection and application of CEMCO products. This drawing is generic in nature and should not be used in design or construction without an independent evaluation by a qualified Architect or Engineer of Record. All warranties of any kind, express or implied, including but not limited to the implied warranties of merchantability and fitness for a particular purpose are disclaimed.

REVISION:

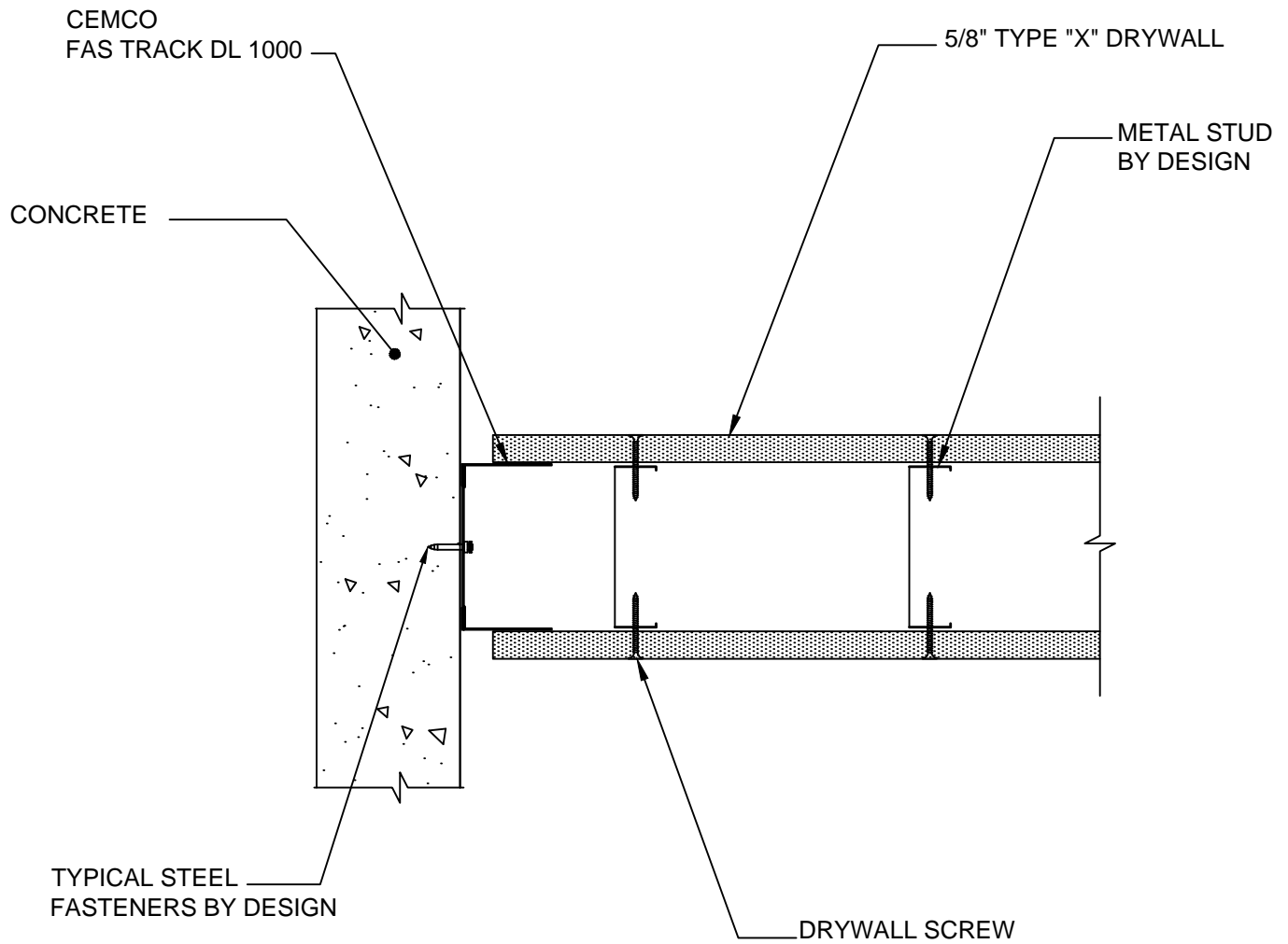
DRAWN BY: T.G.
 DATA: 05/24/13
 APPROVED BY: F. SESMA
 DATE: 05/24/13
 SCALE: 3" = 1'-0"
 JOB NO.: UL DETAILS
 SHEET NO.:

SD70



WWW.CEMCOSTEEL.COM

263 N. Covina Lane.
 City of Industry, CA 91744
 PHONE (800) 775-2362
 ENG. DEPT.
 FAX (626) 369-7243
 WWW.CEMCOSTEEL.COM



WW-D-0104	VERTICAL TIE IN TO CONCRETE SLAB
ASSEMBLY RATING: 1 HR	



WWW.CEMCOSTEEL.COM

263 N. Covina Lane.
City of Industry, CA 91744
PHONE (800) 775-2362
ENG. DEPT.
FAX (626) 369-7243
WWW.CEMCOSTEEL.COM

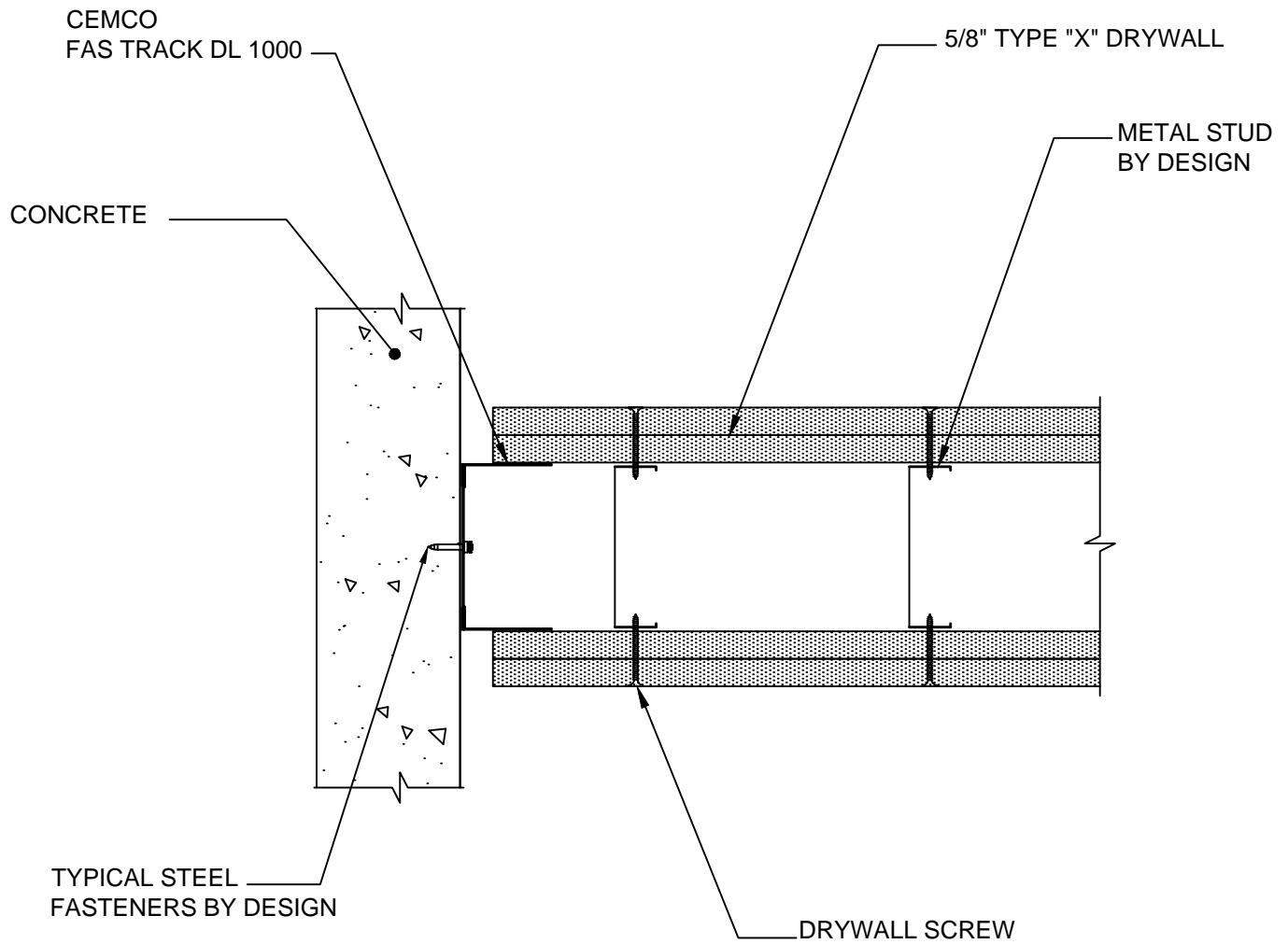
DISCLAIMER:

CEMCO assumes no liability for failure resulting from the use of its drawings, computations, or for failure resulting from the use of alternate materials, or improper application or installation. This drawing is supplied solely to assist in the selection and application of CEMCO products. This drawing is generic in nature and should not be used in design or construction without an independent evaluation by a qualified Architect or Engineer of Record. All warranties of any kind, express or implied, including but not limited to the implied warranties of merchantability and fitness for a particular purpose are disclaimed.

REVISION:

DRAWN BY: T.GARIBEKIAN
DATE: 05/17/13
APPROVED BY: F. SESMA
DATE: 05/17/13
SCALE: 3" = 1'-0"
JOB NO.: UL DETAILS
SHEET NO.:

SD75



WW-D-0104

ASSEMBLY RATING: 2 HR

VERTICAL TIE IN TO CONCRETE SLAB

DISCLAIMER:

CEMCO assumes no liability for failure resulting from the use of its drawings, computations, or for failure resulting from the use of alternate materials, or improper application or installation. This drawing is supplied solely to assist in the selection and application of CEMCO products. This drawing is generic in nature and should not be used in design or construction without an independent evaluation by a qualified Architect or Engineer of Record. All warranties of any kind, express or implied, including but not limited to the implied warranties of merchantability and fitness for a particular purpose are disclaimed.

REVISION:

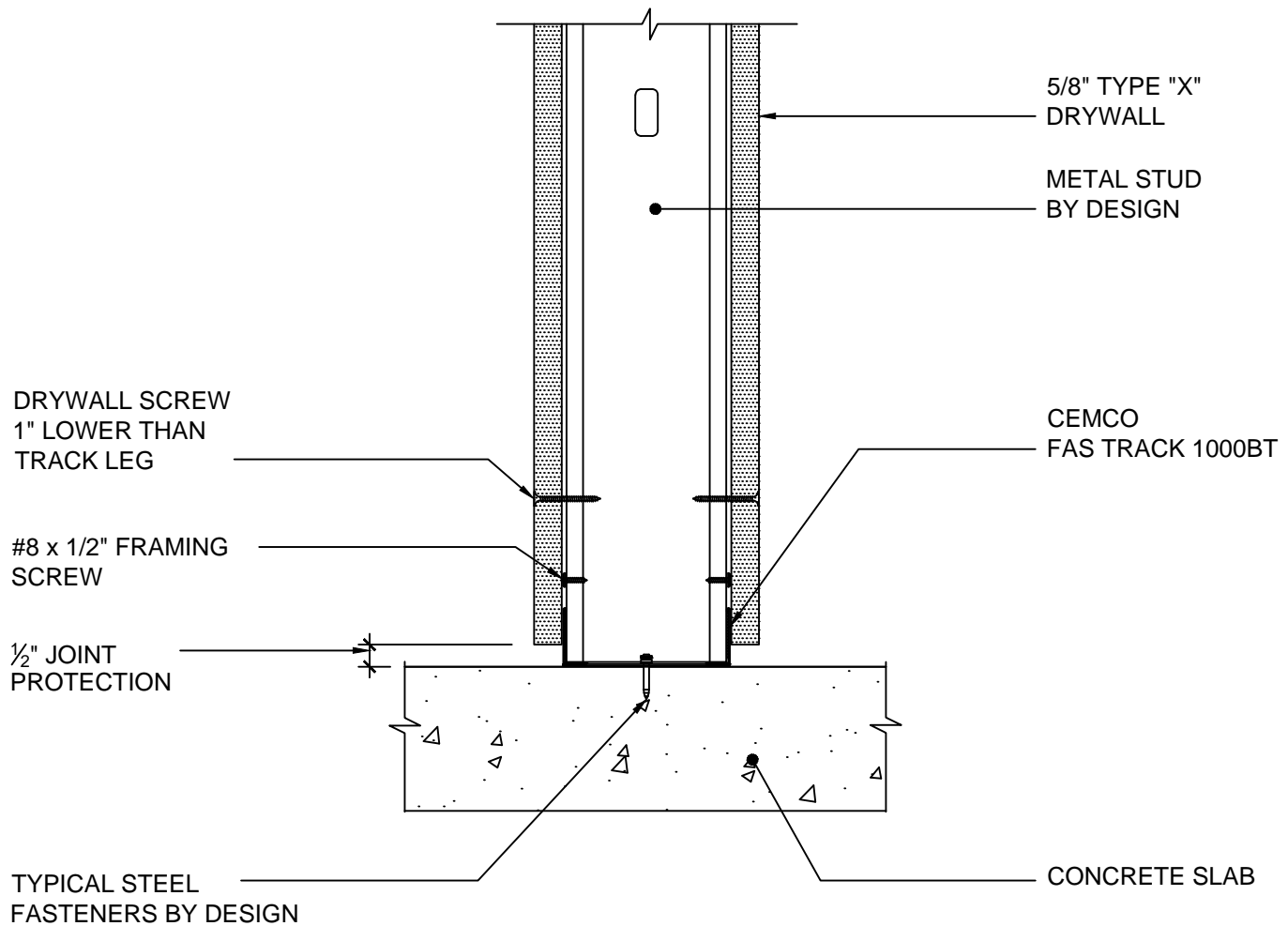
DRAWN BY: T.GARIBEKIAN
 DATA: 05/17/13
 APPROVED BY: F. SESMA
 DATE: 05/17/13
 SCALE: 3" = 1'-0"
 JOB NO.: UL DETAILS
 SHEET NO.:

SD76



WWW.CEMCOSTEEL.COM

263 N. Covina Lane.
 City of Industry, CA 91744
 PHONE (800) 775-2362
 ENG. DEPT.
 FAX (626) 369-7243
 WWW.CEMCOSTEEL.COM



BW-S-0024

ASSEMBLY RATING: 1 HR

BOTTOM OF WALL

STATIC JOINT

DISCLAIMER:

CEMCO assumes no liability for failure resulting from the use of its drawings, computations, or for failure resulting from the use of alternate materials, or improper application or installation. This drawing is supplied solely to assist in the selection and application of CEMCO products. This drawing is generic in nature and should not be used in design or construction without an independent evaluation by a qualified Architect or Engineer of Record. All warranties of any kind, express or implied, including but not limited to the implied warranties of merchantability and fitness for a particular purpose are disclaimed.

REVISION:

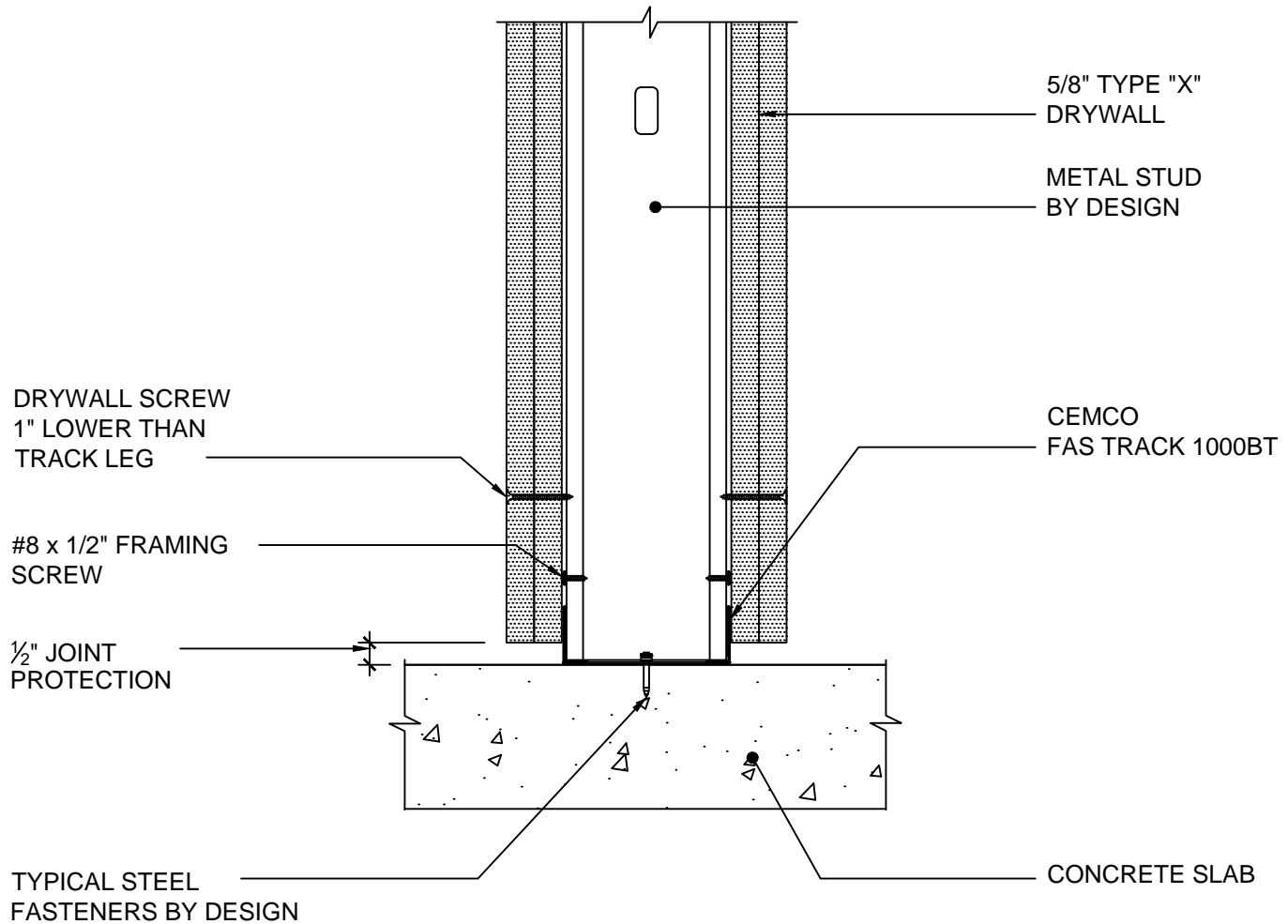
DRAWN BY: T.G.
 DATA: 05/24/13
 APPROVED BY: F. SESMA
 DATE: 05/24/13
 SCALE: 3" = 1'-0"
 JOB NO.: UL DETAILS
 SHEET NO.:

SD79



WWW.CEMCOSTEEL.COM

263 N. Covina Lane.
 City of Industry, CA 91744
 PHONE (800) 775-2362
 ENG. DEPT.
 FAX (626) 369-7243
 WWW.CEMCOSTEEL.COM



BW-S-0024

ASSEMBLY RATING: 2 HR

BOTTOM OF WALL

STATIC JOINT

DISCLAIMER:

CEMCO assumes no liability for failure resulting from the use of its drawings, computations, or for failure resulting from the use of alternate materials, or improper application or installation. This drawing is supplied solely to assist in the selection and application of CEMCO products. This drawing is generic in nature and should not be used in design or construction without an independent evaluation by a qualified Architect or Engineer of Record. All warranties of any kind, express or implied, including but not limited to the implied warranties of merchantability and fitness for a particular purpose are disclaimed.

REVISION:

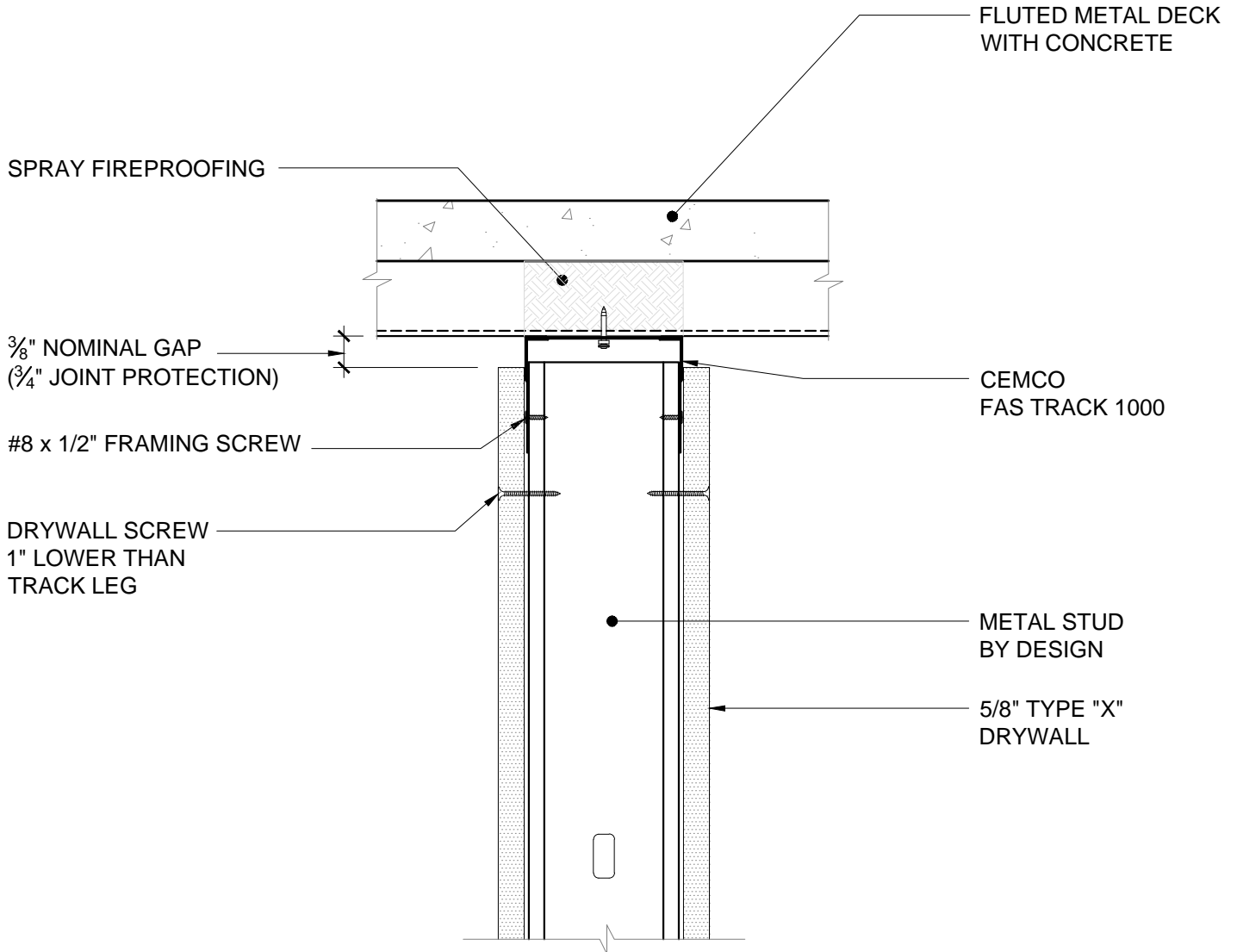
DRAWN BY: T.G.
 DATA: 05/24/13
 APPROVED BY: F. SESMA
 DATE: 05/24/13
 SCALE: 3" = 1'-0"
 JOB NO.: UL DETAILS
 SHEET NO.:

SD80



WWW.CEMCOSTEEL.COM

263 N. Covina Lane.
 City of Industry, CA 91744
 PHONE (800) 775-2362
 ENG. DEPT.
 FAX (626) 369-7243
 WWW.CEMCOSTEEL.COM



NOTE: SINGLE LAYER OF 5/8" TYPE "X" DRYWALL FOR 1 HOUR FIRE RATING

HW-D-0514

STANDARD WALL, PERPENDICULAR TO FLUTED DECK

ASSEMBLY RATING: 2 HR



WWW.CEMCOSTEEL.COM

263 N. Covina Lane.
 City of Industry, CA 91744
 PHONE (800) 775-2362
 ENG. DEPT.
 FAX (626) 369-7243
 WWW.CEMCOSTEEL.COM

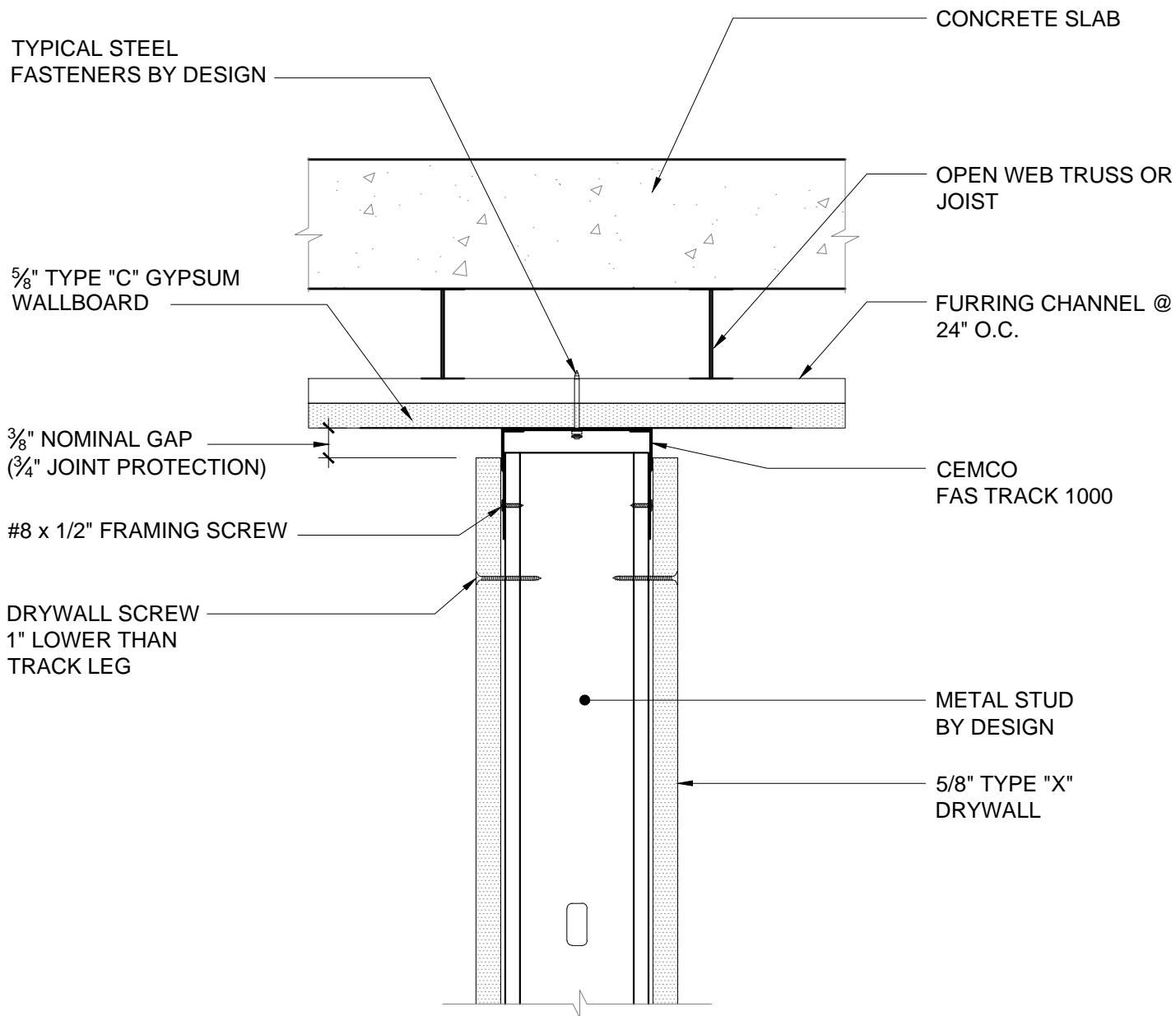
DISCLAIMER:

CEMCO assumes no liability for failure resulting from the use of it's drawings, computations, or for failure resulting from the use of alternate materials, or improper application or installation. This drawing is supplied solely to assist in the selection and application of CEMCO products. This drawing is generic in nature and should not be used in design or construction without an independent evaluation by a qualified Architect or Engineer of Record. All warranties of any kind, express or implied, including but not limited to the implied warranties of merchantability and fitness for a particular purpose are disclaimed.


REVISION:

DRAWN BY: T. GARIBEKIAN
 DATA: 06/25/14
 APPROVED BY: F. SESMA
 DATE: 06/25/14
 SCALE: 3"= 1'-0"
 JOB NO.: UL DETAILS
 SHEET NO.:

SD112



NOTE: SINGLE LAYER OF 5/8" TYPE "X" DRYWALL FOR 1 HOUR FIRE RATING

<p>HW-D-0550 ASSEMBLY RATING: 2 HR</p>	<p>STANDARD WALL, GYPSUM WALLBOARD CEILING</p>	
 <p>WWW.CEMCOSTEEL.COM</p> <p>263 N. Covina Lane. City of Industry, CA 91744 PHONE (800) 775-2362 ENG. DEPT. FAX (626) 369-7243 WWW.CEMCOSTEEL.COM</p>	<p>DISCLAIMER:</p> <p>CEMCO assumes no liability for failure resulting from the use of it's drawings, computations, or for failure resulting from the use of alternate materials, or improper application or installation. This drawing is supplied solely to assist in the selection and application of CEMCO products. This drawing is generic in nature and should not be used in design or construction without an independent evaluation by a qualified Architect or Engineer of Record. All warranties of any kind, express or implied, including but not limited to the implied warranties of merchantability and fitness for a particular purpose are disclaimed.</p>	<p>REVISION:</p> <p>DRAWN BY: T. GARIBEKIAN DATA: 06/25/14</p> <p>APPROVED BY: F. SESMA DATE: 06/25/14</p> <p>SCALE: 3"= 1'-0"</p> <p>JOB NO.: UL DETAILS</p> <p>SHEET NO.:</p> <p style="text-align: center;">SD113</p>