

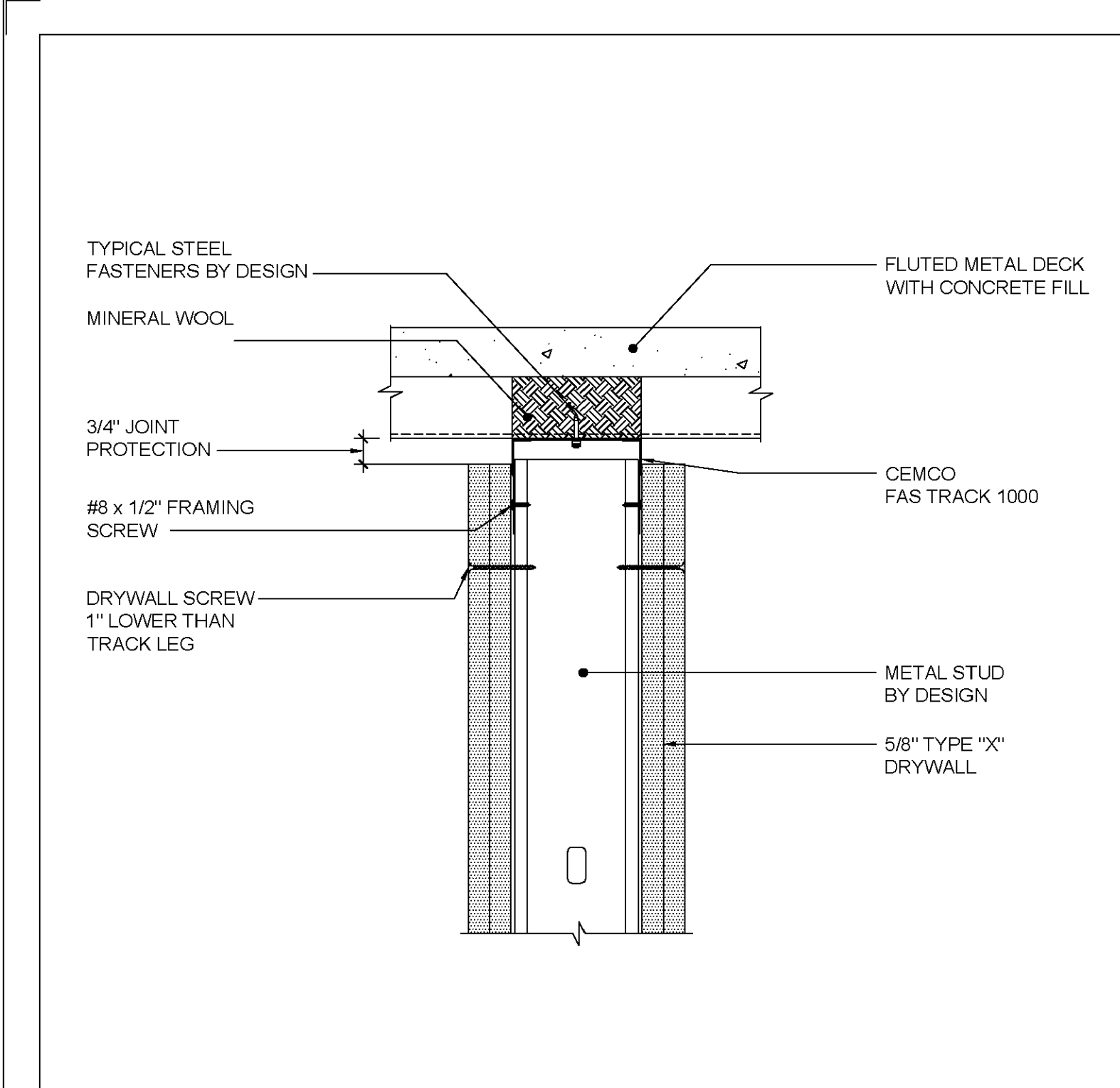
REV.	DATE	BY	CHK'D	DESCRIPTION
RR	01.08.14			ISSUED FOR CONSTRUCTION

**CEMCO**  
ENGINEERING  
DESIGN | R&D | CONSULTATION

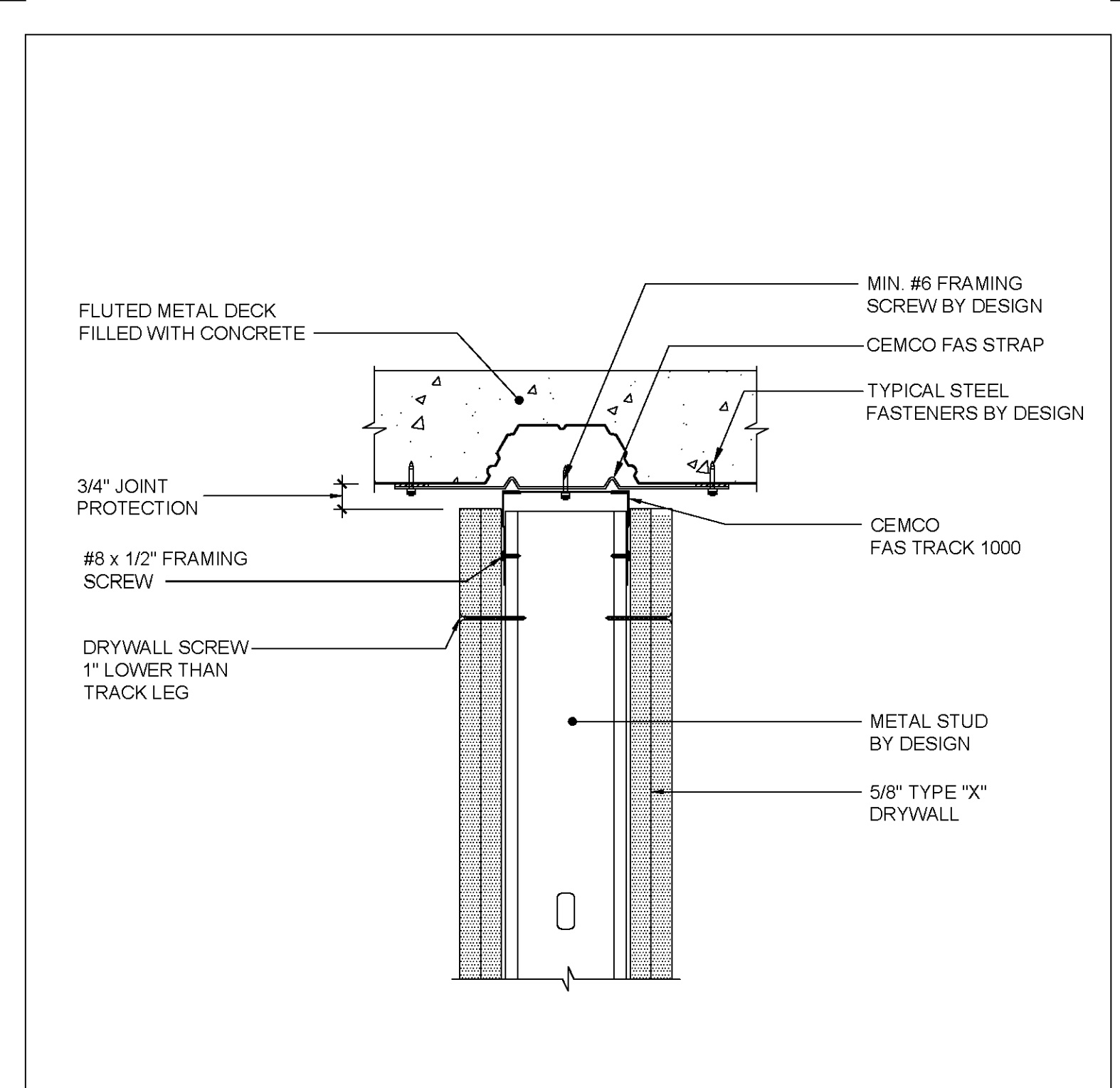
STRUCTURAL ENGINEERING  
DESIGN SERVICES

1001-A PITTSBURG ANTIOCH HWY  
PITTSBURG, CA 94565  
800.775.2365 FAX 925.473.9124  
engservices@cemcosteel.com

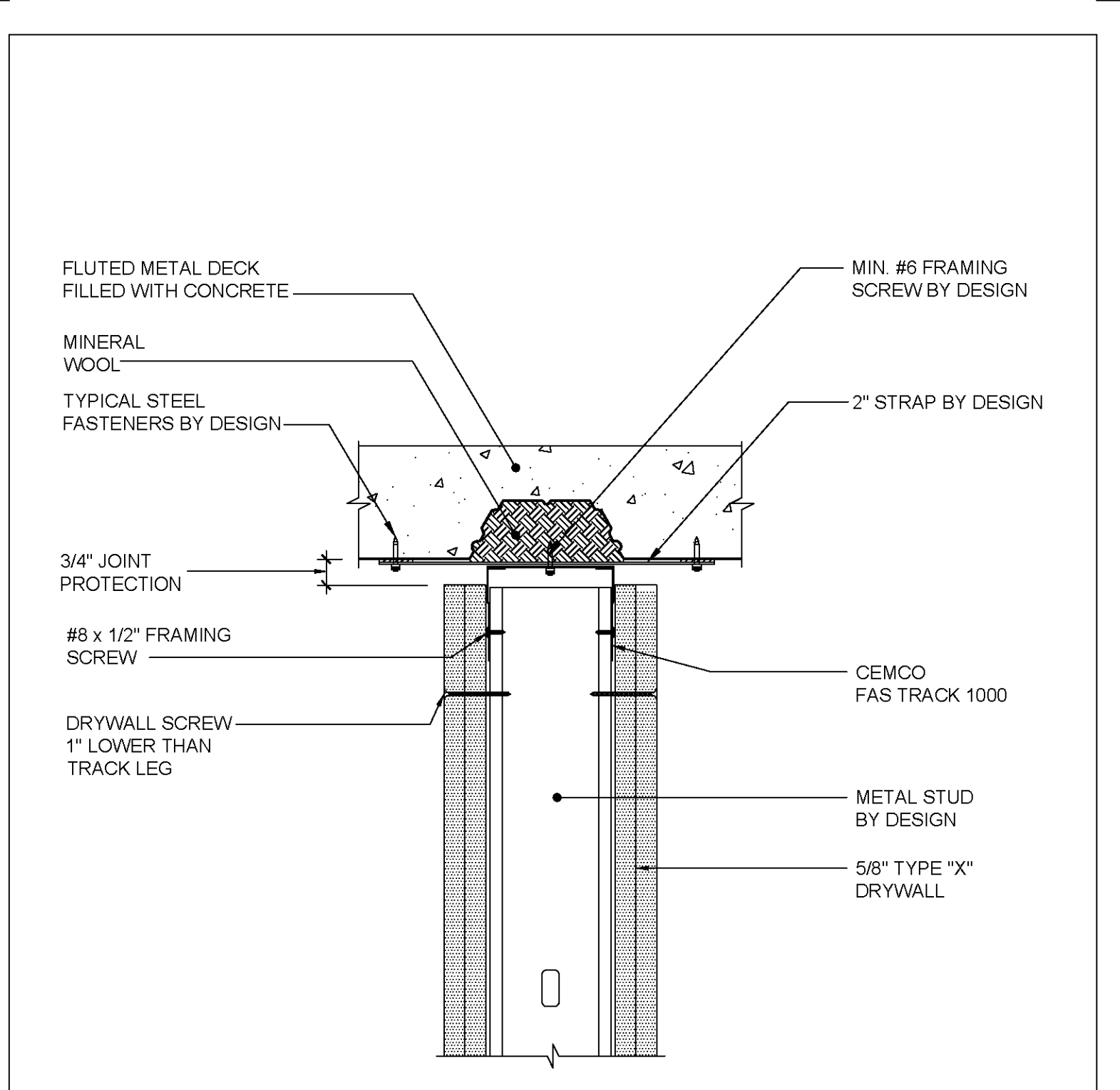
TECHNICAL SERVICES  
265 N. COVINA LANE CITY OF  
INDUSTRY, CA 91744  
800.416.2278 FAX 626.369.7243  
techservices@cemcosteel.com



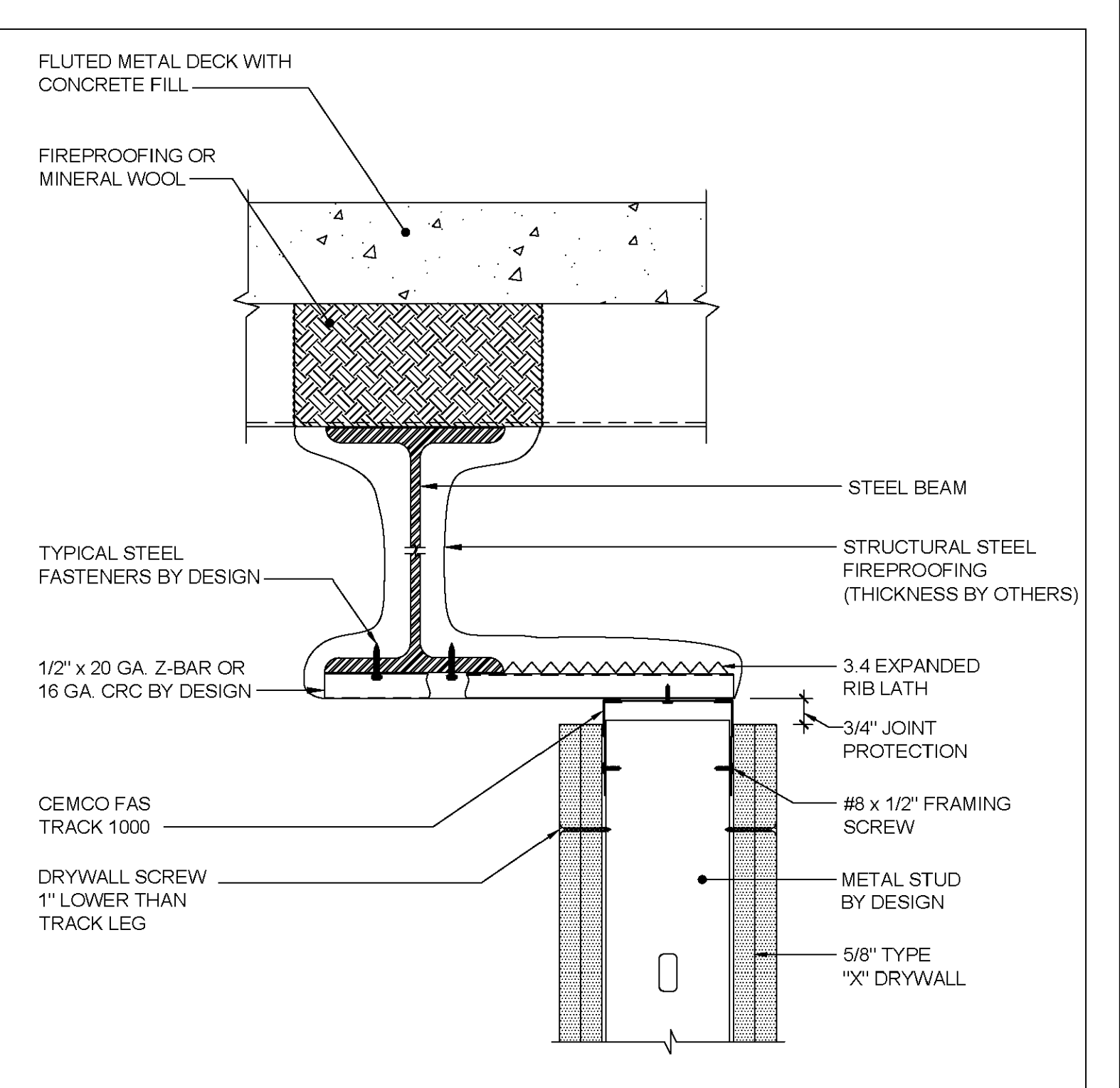
**HW-D-0518** STANDARD WALL, PERPENDICULAR TO FLUTED DECK  
ASSEMBLY RATING: 2 HR



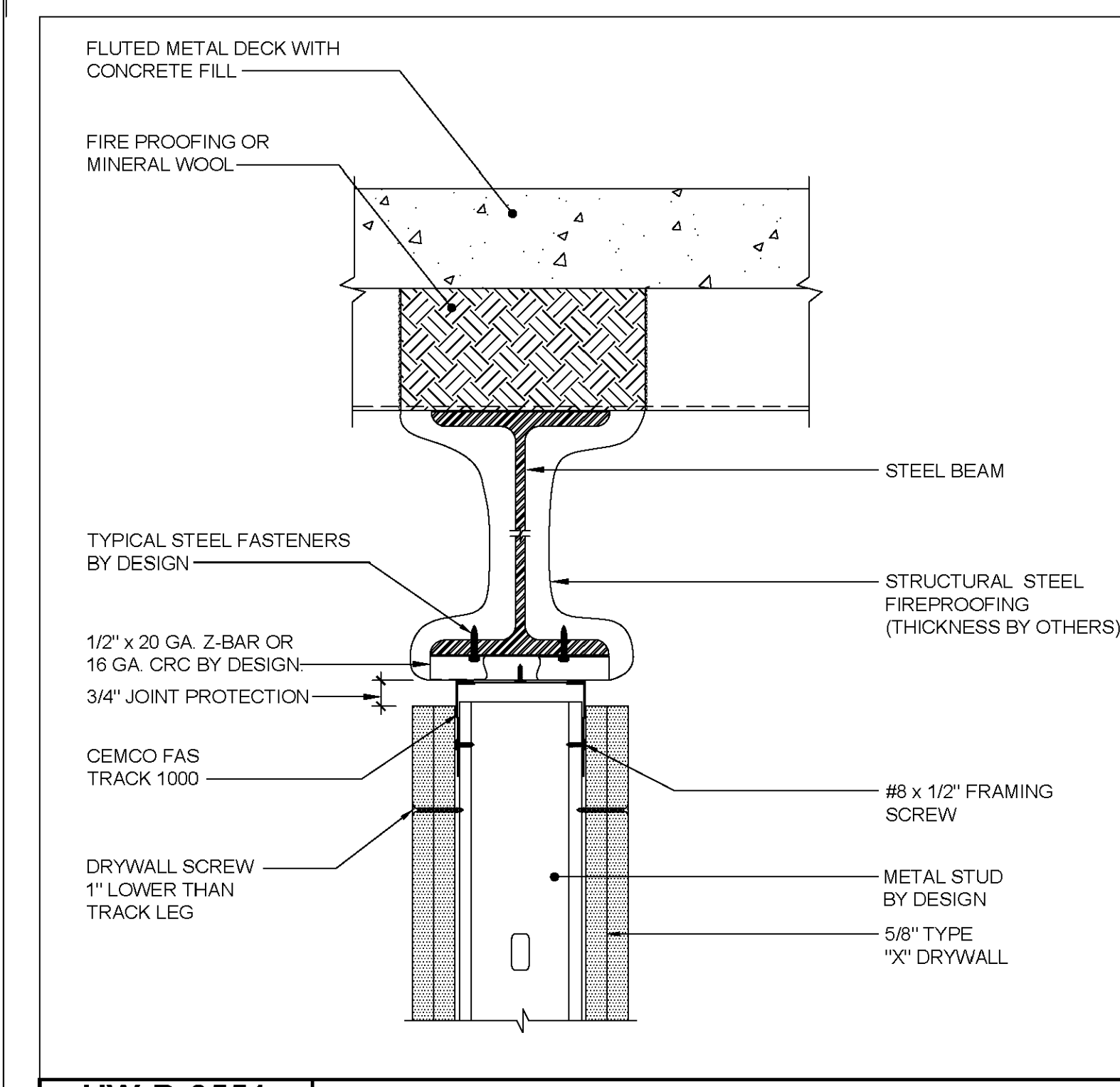
**HW-D-0524** STANDARD WALL, PARALLEL & DIRECTLY UNDER DECK FLUTE  
CONFIGURATION "A"  
ASSEMBLY RATING: 2 HR



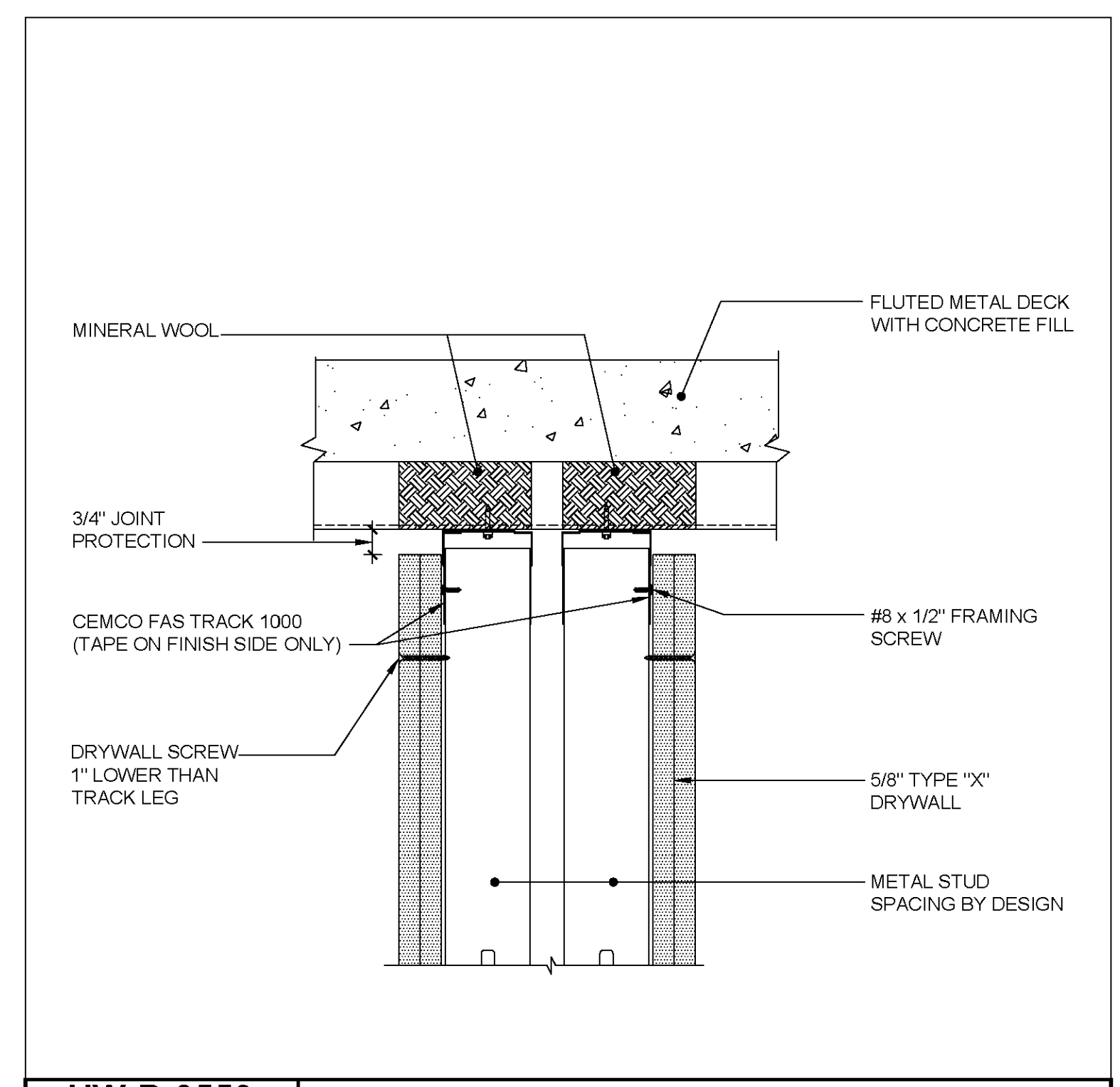
**HW-D-0524** STANDARD WALL, PARALLEL & DIRECTLY UNDER DECK FLUTE  
CONFIGURATION "B"  
ASSEMBLY RATING: 2 HR



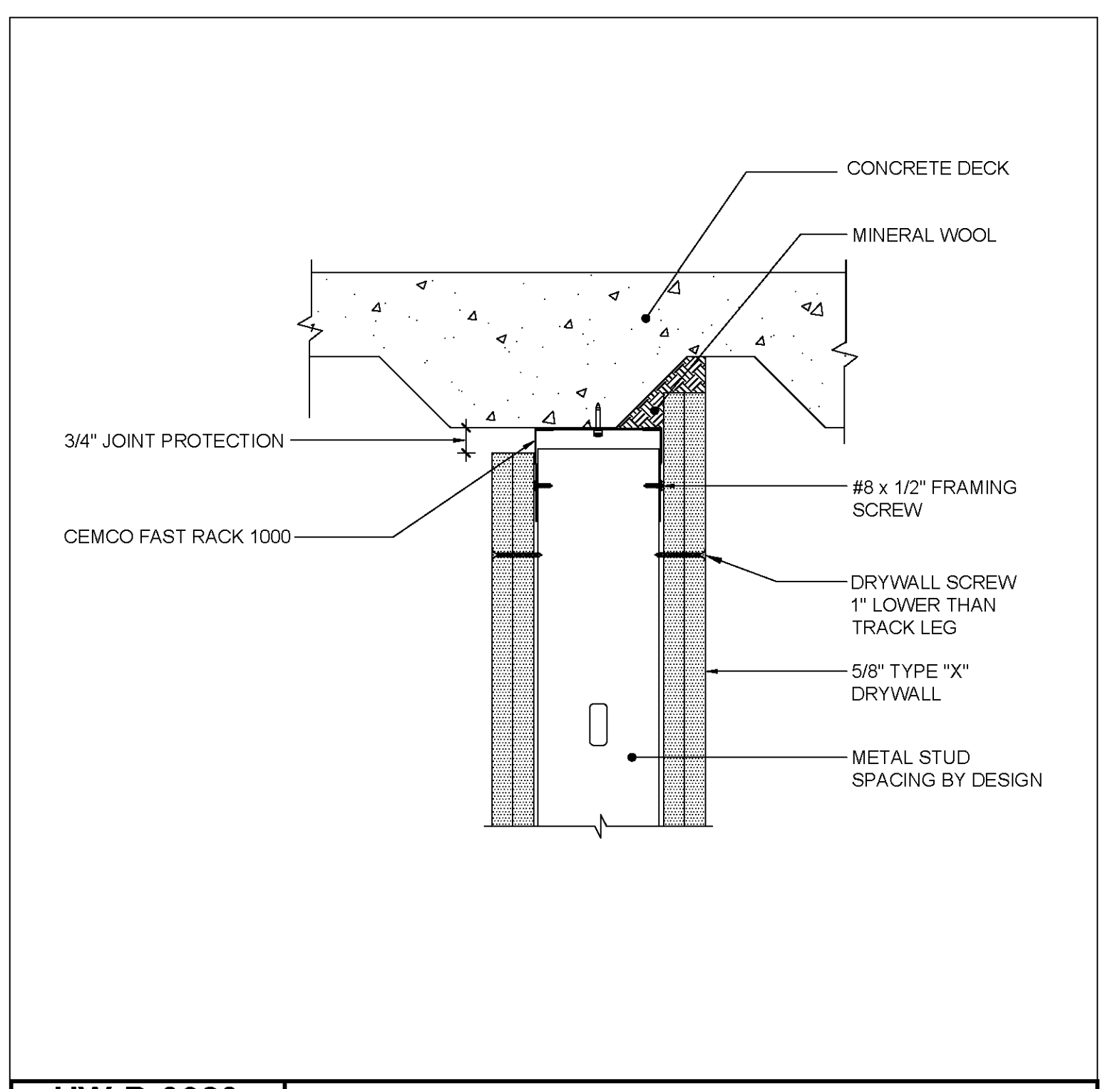
**HW-D-0652** STANDARD WALL, CANTILEVERED UNDER BEAM  
ASSEMBLY RATING: 2 HR



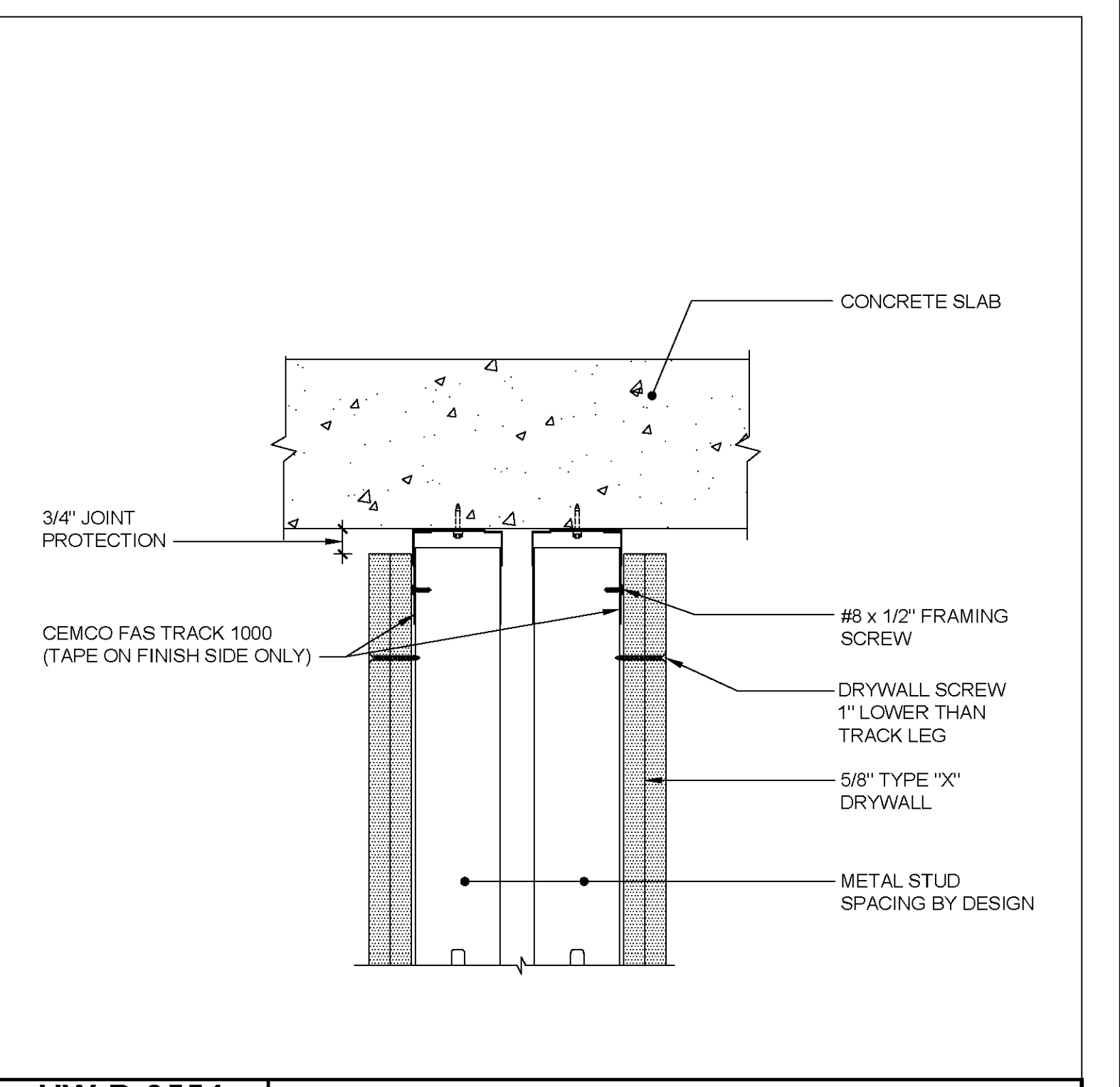
**HW-D-0551** STANDARD WALL, CENTERED DIRECTLY UNDER BEAM  
ASSEMBLY RATING: 2 HR



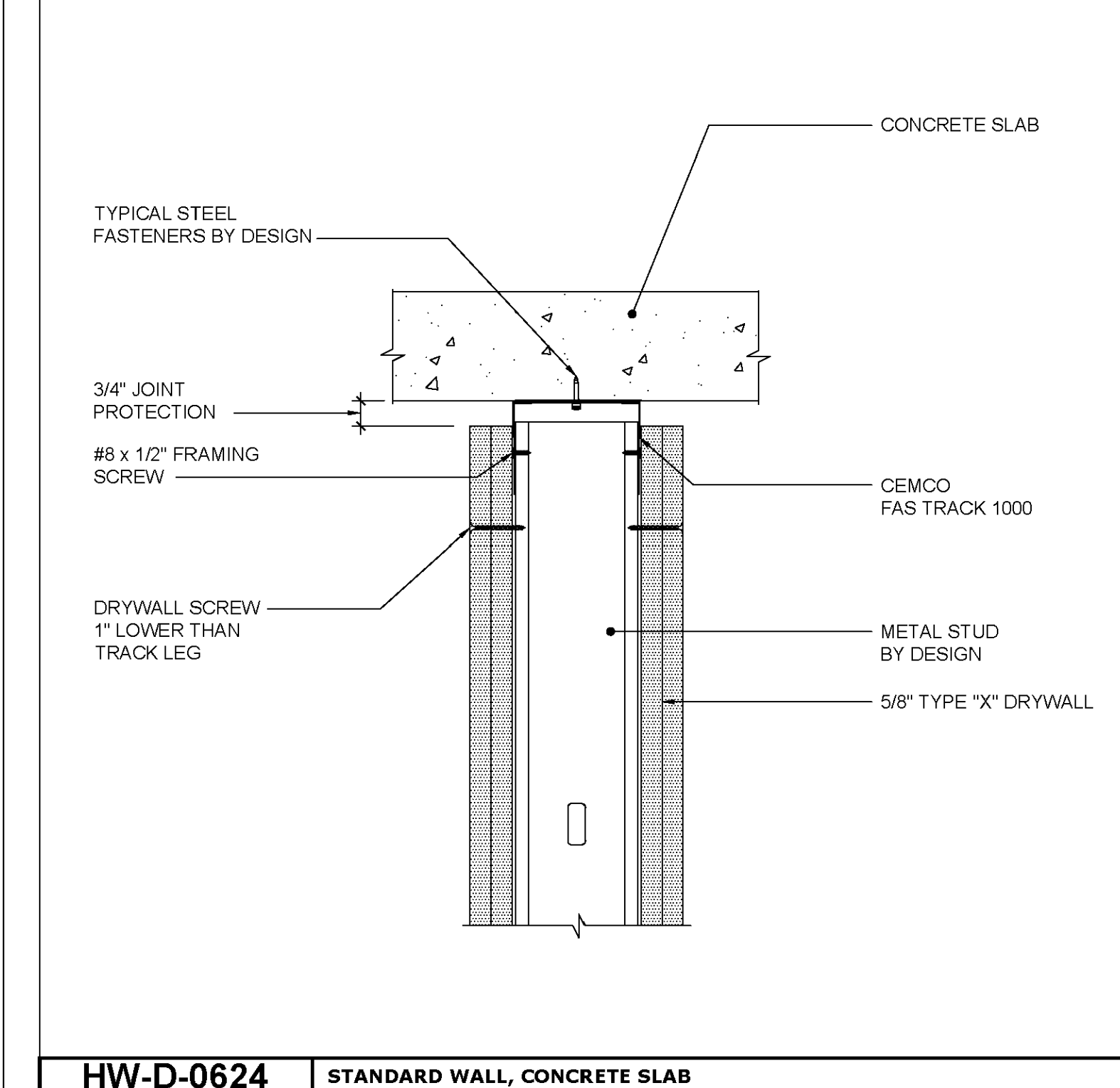
**HW-D-0553** STANDARD CHASE WALL, PERPENDICULAR TO FLUTED DECK  
ASSEMBLY RATING: 2 HR



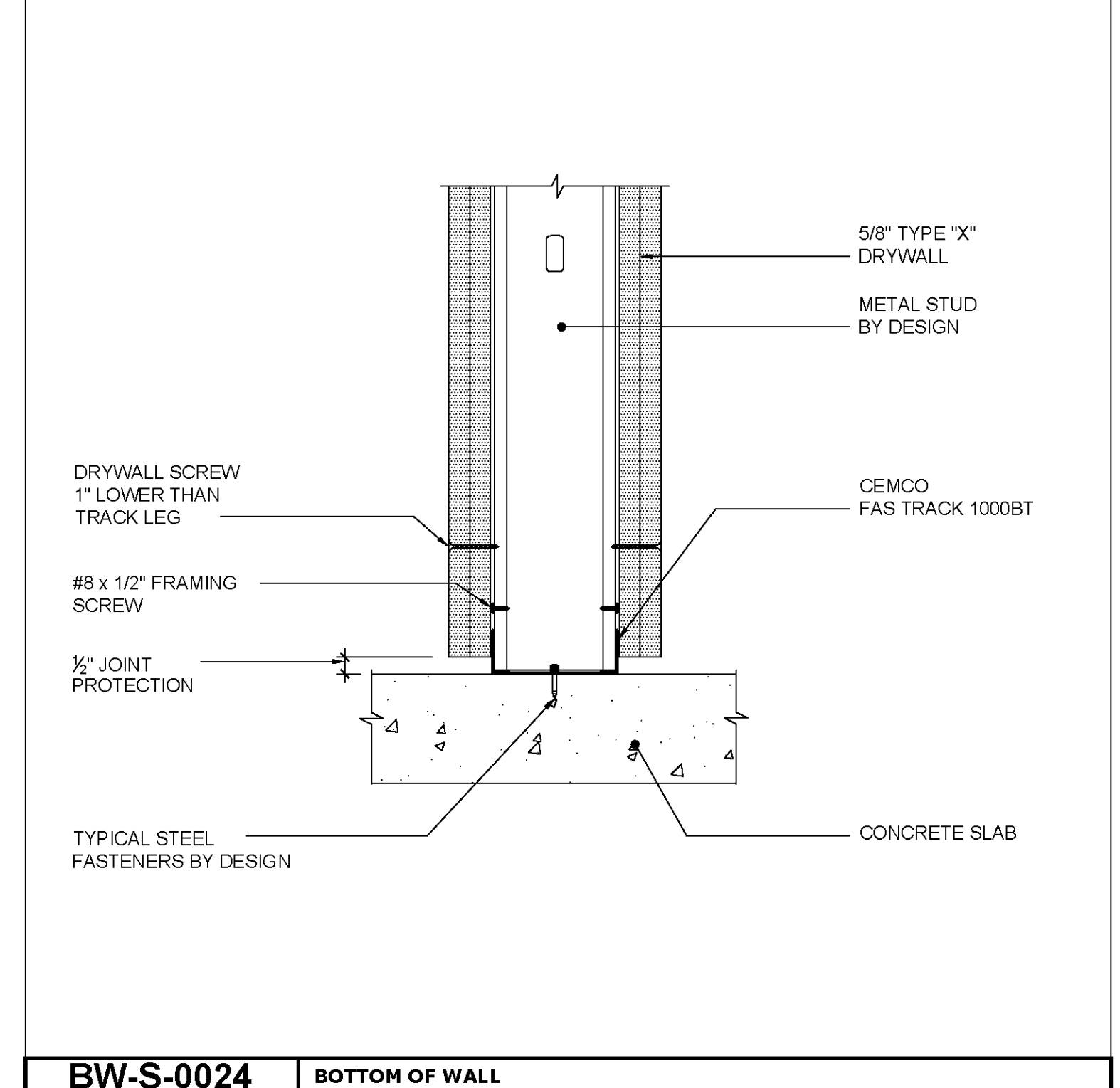
**HW-D-0620** STANDARD WALL, PARALLEL & OFFSET UNDER FLUTED DECK  
CONFIGURATION "B"  
ASSEMBLY RATING: 2 HR



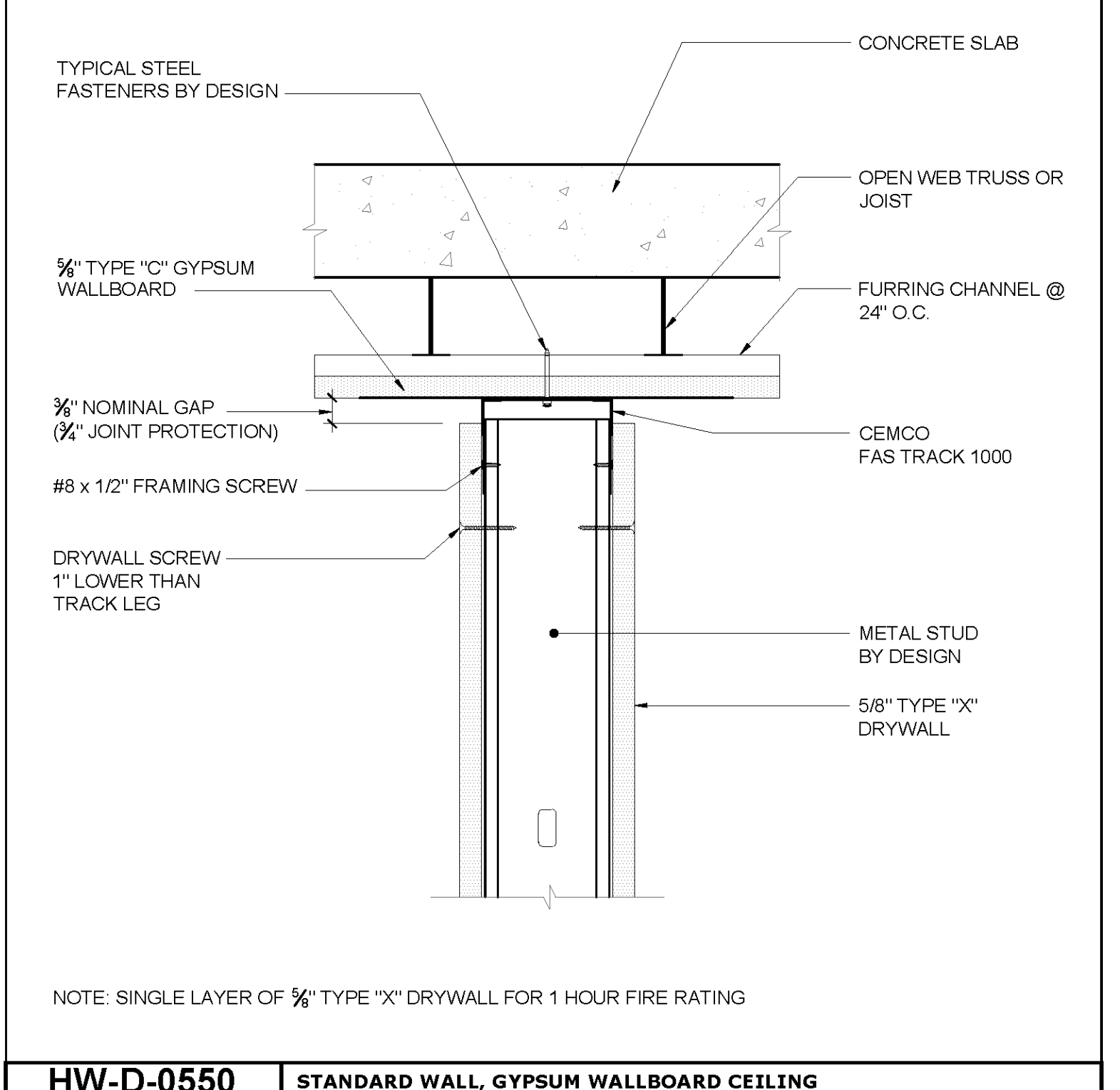
**HW-D-0554** STANDARD CHASE WALL, CONCRETE SLAB  
ASSEMBLY RATING: 2 HR



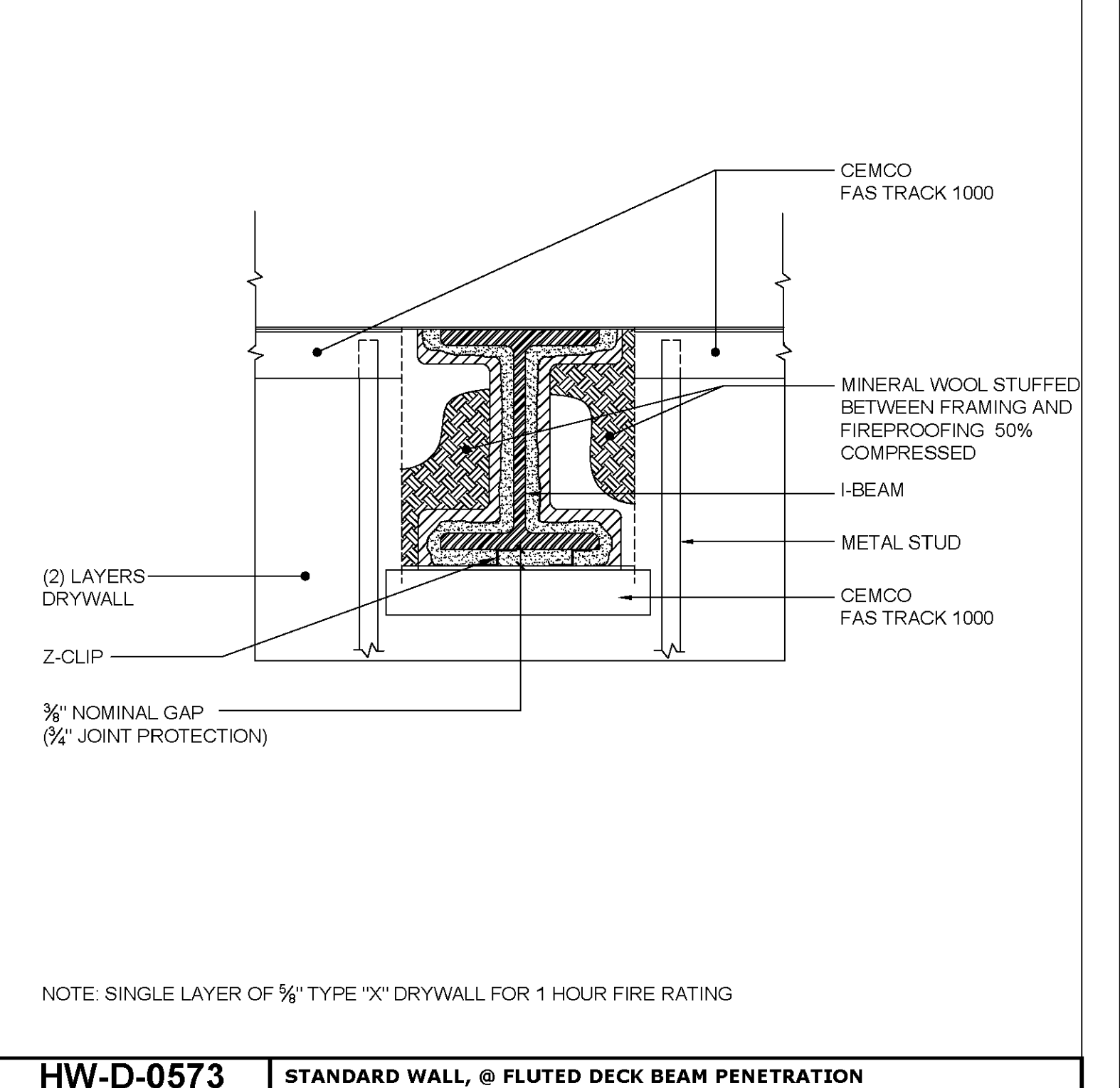
**HW-D-0624** STANDARD WALL, CONCRETE SLAB  
FLAT TAPE & JOINT COMPOUND  
ASSEMBLY RATING: 2 HR



**BW-S-0024** BOTTOM OF WALL  
STATIC JOINT  
ASSEMBLY RATING: 2 HR



**HW-D-0550** STANDARD WALL, GYPSUM WALLBOARD CEILING  
ASSEMBLY RATING: 2 HR



**HW-D-0573** STANDARD WALL, @ FLUTED DECK BEAM PENETRATION  
ASSEMBLY RATING: 2 HR

PROJECT:  
**HEAD OF WALL  
DETAILS**

DO NOT SCALE  
FROM DRAWING

UNLESS OTHERWISE NOTED

THIS DOCUMENT CONTAINS PROPRIETARY  
INFORMATION AND IS PROVIDED UPON THE  
CONDITION THAT NO COPIES, DISCLOSURE OR  
REPRODUCTION BE MADE WITHOUT PRIOR  
EXPRESS WRITTEN PERMISSION.

DRAWN BY: / DATE:  
**RR** 01.10.14

CHECKED BY: / DATE:

SCALE: **As Noted**

PROJECT NO.: **N/A**

SHEET NO.: